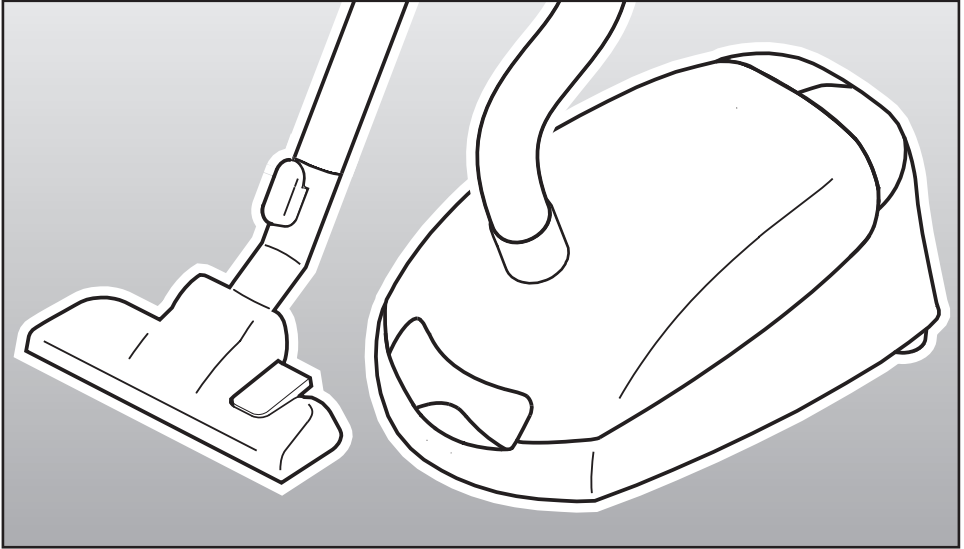


# Miele

## Operating Instructions



## Vacuum Cleaner S 2001

To prevent accidents  
and machine damage,  
read these instructions  
**before**  
installation and use.

**HS12**

en, fr, es - US, CA, MX

M.-Nr. 09 037 500



<b>IMPORTANT SAFETY INSTRUCTIONS</b> . . . . .	4
<b>Guide to the vacuum cleaner</b> . . . . .	8
<b>Before using the vacuum cleaner</b> . . . . .	10
<b>Using the included accessories</b> . . . . .	12
<b>Operation</b> . . . . .	14
Power cord . . . . .	14
Turning the vacuum On/Off . . . . .	15
Adjusting the suction . . . . .	16
Opening the air inlet valve . . . . .	16
<b>Transport and storage</b> . . . . .	17
<b>Maintenance and care</b> . . . . .	18
Purchasing new dustbags and filters . . . . .	18
Which dustbags and filters are the right ones? . . . . .	18
When to change the dustbag . . . . .	19
Replacing the dustbag . . . . .	20
When to change the dust compartment filter (Pre-motor filter) . . . . .	21
Replacing the dust compartment filter (Pre-motor filter) . . . . .	21
When to replace the Air Clean exhaust filter . . . . .	21
Replacing the Air Clean filter . . . . .	21
Exchanging exhaust filters . . . . .	22
When to change the Active HEPA exhaust filter . . . . .	22
Replacing the Active HEPA exhaust filter . . . . .	22
When to change the thread catcher on the standard floor brush . . . . .	23
Changing the thread catcher . . . . .	23
<b>Cleaning and care</b> . . . . .	24
<b>Frequently asked questions</b> . . . . .	25
<b>Optional accessories</b> . . . . .	26
<b>Technical Service</b> . . . . .	28
<b>Caring for the environment</b> . . . . .	29

# IMPORTANT SAFETY INSTRUCTIONS

---

When using an electrical appliance, basic precautions should always be followed, including the following:

## READ ALL INSTRUCTIONS BEFORE USING THIS APPLIANCE

### **WARNING-**

**To reduce the risk of fire, electric shock or injury:**

#### **Before Using**

▶ Check the voltage rating of the vacuum cleaner before connecting the power cord to an electrical outlet. Your power source should correspond with the voltage rating plate located on the underside of the vacuum. Use only household AC outlets. Never use DC power sources. If you are not sure of your home's voltage supply, consult a qualified electrician. Connecting the vacuum cleaner to a higher voltage may result in damage to the vacuum cleaner or injury.

▶ To reduce the risk of electric shock, this appliance has a polarized plug (one blade is wider than the other.) This plug will fit in a polarized outlet only one way. If the plug does not fit fully in the outlet, reverse the plug. If it still does not fit, contact a qualified electrician to install the proper outlet. Do not alter the plug in any way.

▶ A damaged vacuum cleaner can be dangerous. Check the packaging, vacuum cleaner and accessories for any signs of damage. Do not use a damaged appliance.

▶ Do not use with a damaged cord or plug. If the appliance is not working as it should, has been dropped, damaged, left outdoors or submerged in water, bring it to a service center.

▶ The electrical outlet must be fitted with a 15 A fuse.

# IMPORTANT SAFETY INSTRUCTIONS

---

## Use

- ▶ Do not use on people or animals.
- ▶ Do not use outdoors or on wet surfaces. Only **dry** surfaces should be vacuumed.
- ▶ Use only as described in this manual. Use only Miele recommended accessories described in this manual.
- ▶ This appliance is intended strictly for household use only.
- ▶ Do not allow the vacuum cleaner to be used as a toy. Close attention is necessary when used near children.
- ▶ Never use the vacuum cleaner without the dustbag or filters in place. Otherwise, it could be damaged.
- ▶ If the dustbag is not inserted, the dust compartment lid will not close. Do not force it shut.
- ▶ Do not leave the vacuum plugged in. Unplug it from the outlet when not in use and before servicing.
- ▶ On the underside of the vacuum hand piece is a metal insert designed to absorb static electricity. Please make certain that your hand remains around this metal insert when vacuuming.
- ▶ Persons who lack physical, sensory, or mental capabilities or experience with the machine should not use it without supervision or instruction by a responsible person.
- ▶ Unwind the cord completely to aid the vacuum in dissipating heat.
- ▶ This vacuum should not be used to entrap or retain any hazardous materials.
- ▶ Do not use the vacuum cleaner to pick up liquids or damp dirt. This could impair the electrical safety of the vacuum cleaner. Wait for freshly shampooed carpets to dry.
- ▶ Do not vacuum anything that is burning or smoking such as cigarettes, matches or hot ashes. The vacuum could catch fire.
- ▶ Do not vacuum toner dust. Toner, such as that used in printers and photocopiers can conduct electricity.
- ▶ Do not use the vacuum to pick up any flammable or combustible liquids such as gasoline or use in areas where they may be present.
- ▶ Do not vacuum up items which are heavy, hard or have sharp edges. They could cause a blockage and damage the appliance.
- ▶ Do not pull or carry by the cord, use the cord as a handle, close a door on the cord, or pull the cord around sharp edges or corners. Do not run the appliance over the cord. Keep the cord away from heated surfaces.
- ▶ Do not unplug by pulling the cord. To unplug grasp the plug, not the cord.
- ▶ Do not handle the plug or vacuum with wet hands.

# IMPORTANT SAFETY INSTRUCTIONS

---

- ▶ Keep hair, loose clothing, fingers, and all parts of body away from openings and moving parts.
- ▶ Do not place anything into the openings of the vacuum. Do not use if any openings are blocked; keep them free of dust, lint, hair or anything that may reduce air flow.
- ▶ To avoid risk of injury while vacuuming, do not reach into the moving beater bar of the Powerbrush. Danger of injury.
- ▶ This appliance is equipped with a power cord reel. Hold the plug when rewinding onto cord reel. Do not allow plug to whip when rewinding.
- ▶ Turn off all controls before unplugging.
- ▶ Use caution when vacuuming on stairs.
- ▶ Floor attachments, accessories and wands must not be used at head level to avoid injuries to the eyes and ears.

## Using accessories

- ▶ The socket on the vacuum cleaner is only to be used with the Miele Powerbrush.
- ▶ Unplug the vacuum when changing accessories, especially when using the Powerbrush.
- ▶ The Miele Powerbrush is a motor-driven accessory for use only with Miele vacuum cleaners. The vacuum must not be used with another manufacturer's Powerbrush.
- ▶ Do not use the vacuum without an accessory attached. The rim could be damaged and injuries could result from sharp edges.
- ▶ Miele dustbags are disposable and intended to be used only once. Do not attempt to reuse them. An over stuffed dustbag will reduce the efficiency of the vacuum cleaner.
- ▶ Only use genuine Miele dustbags with the Miele quality signet and original Miele filters and accessories. Only then will the manufacturer guarantee its safety.
- ▶ Always turn off this appliance before connecting or disconnecting motorized nozzle.

# IMPORTANT SAFETY INSTRUCTIONS

---

## Cleaning, maintenance and repairs

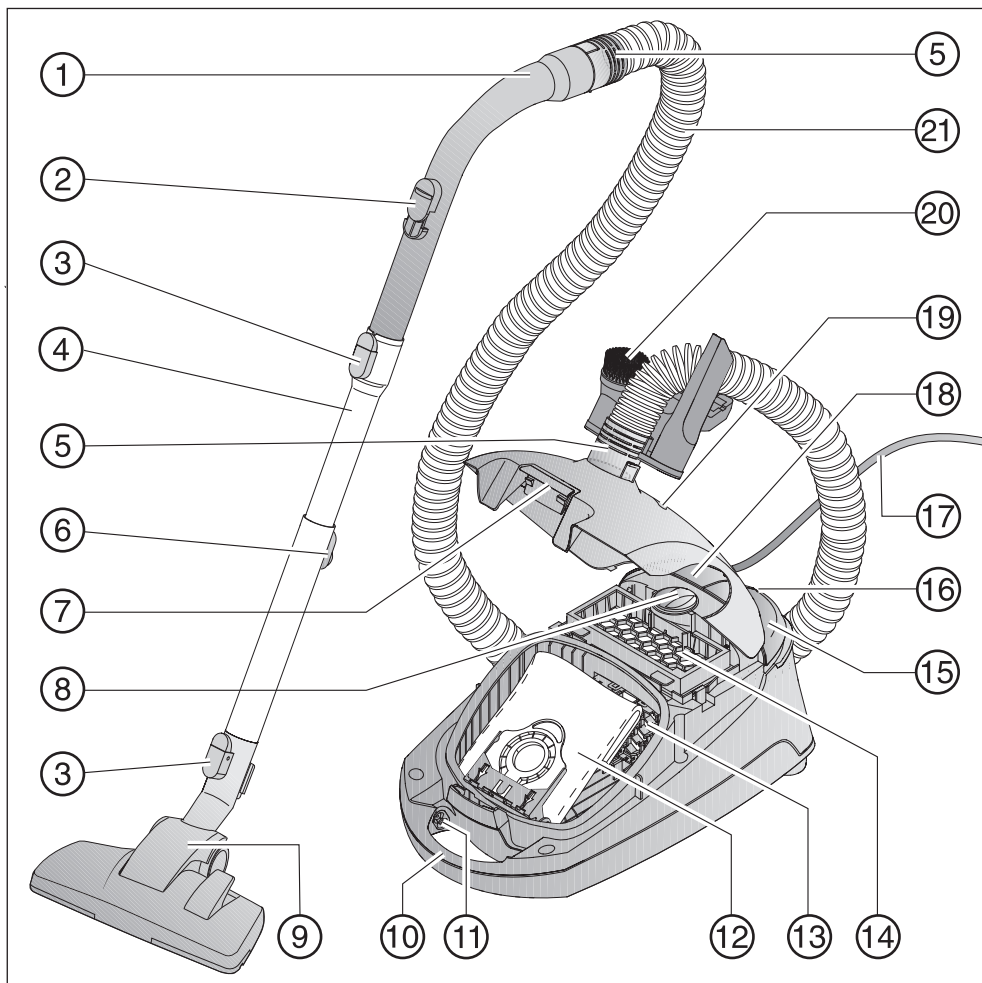
- ▶ Turn the vacuum cleaner off after each use and before every cleaning / maintenance. Pull the plug from the outlet.
- ▶ Never submerge the vacuum cleaner in water. Clean only with a dry cloth or slightly damp cloth when disconnected from the mains supply. If moisture gets into the appliance there is a risk of electrical shock.
- ▶ Monitor the dustbag change indicator and inspect all filters regularly. For best performance, the dustbag and filters should be replaced when necessary. A full bag or blocked filter will reduce the vacuum cleaners' suction power. A temperature limiter automatically switches the vacuum cleaner off if it gets too hot, see "Maintenance and Care - What if the vacuum turns off automatically?".
- ▶ Repairs during the warranty period should only be performed by an authorized service agent in accordance with national and local safety regulations. Unauthorized repairs could cause injury or machine damage and may void the warranty.

## Disposing of an old appliance

- ▶ Before discarding an old vacuum cleaner, please cut off the power cord, and render the plug useless. Ensure the appliance presents no danger to children while being stored for disposal

## SAVE THESE INSTRUCTIONS

# Guide to the vacuum cleaner





- ① Hand piece
- ② Air inlet valve
- ③ Lock release button
- ④ Telescopic wand
- ⑤ Hose connector
- ⑥ Telescopic wand release button
- ⑦ Dust compartment lid release
- ⑧ Suction power selector
- ⑨ Floor brush \*
- ⑩ Carrying handle
- ⑪ Socket for Powerbrush
- ⑫ Dustbag
- ⑬ Dust compartment filter (pre-motor filter)
- ⑭ Exhaust filter
- ⑮ On/Off Ⓛ foot switch
- ⑯ Park-System
- ⑰ Power cord
- ⑱ Cord rewind switch
- ⑲ Airflow indicator
- ⑳ Accessory clip with three tools
- ㉑ Suction hose

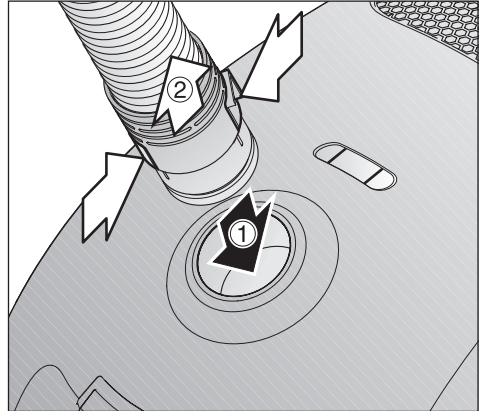
The features marked \* may vary or not be available on your model.

Optional accessories are available from your Miele dealer or [Miele.com](http://Miele.com)

# Before using the vacuum cleaner

## Connecting the hose ①

- Insert the hose connector in the suction socket until it clicks into place.



## Disconnecting the hose ②

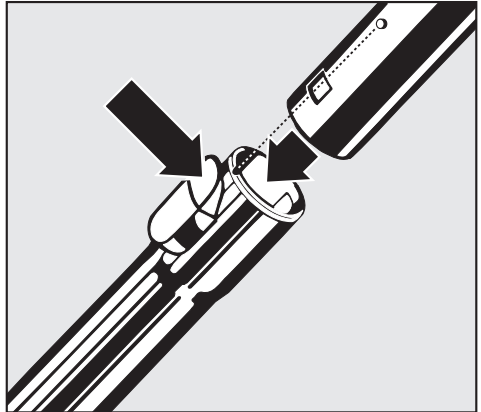
- Press the release buttons at the sides of the hose connector and lift the hose from the socket.

## Connecting the hand piece and wand

- Insert the hand piece into the wand until it clicks into place. Use the inlet guides to direct insertion.

## Releasing the hand grip

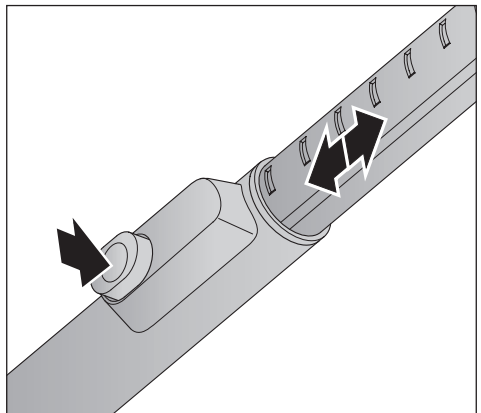
- Press the lock release button and pull the hand piece away from the wand.



## Adjusting the telescopic wand

One part of the telescopic wand is fitted inside the other and can be adjusted to your height for comfortable vacuum cleaning.

- Press the telescopic wand release button to release the tubes and adjust to the desired height.



# Before using the vacuum cleaner

## Using the standard floor brush

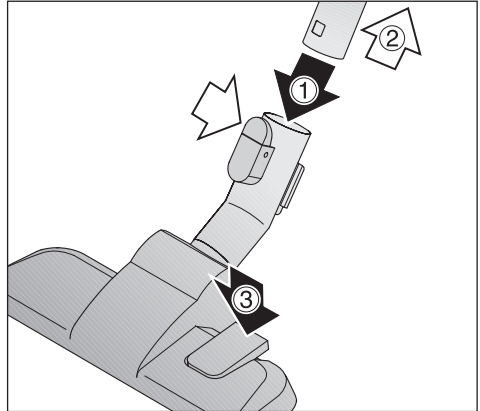
(depending on model)

Observe the cleaning instructions of the floor manufacturer.

The floor brush is suitable for cleaning carpets, rugs, carpeted stairs and hard surfaces that are not susceptible to scratching.



## Connecting the floor brush

- Place the floor brush into ① the suction hose and twist until it clicks into place.
- To separate the parts ②, press the lock release button and pull apart.





## Adjusting the floor brush ③

For vacuuming carpets and rugs, lower the tool by:

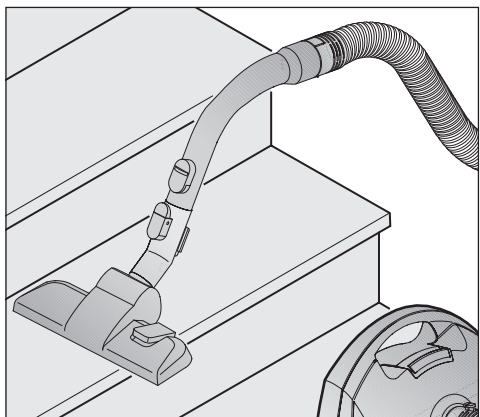
- pressing the foot switch marked  or .

For cleaning smooth floors, raise the tool by:

- pressing the foot switch marked  or .

## Floor brush

- For safety, when vacuuming stairs it is best to start at the bottom and move upwards.

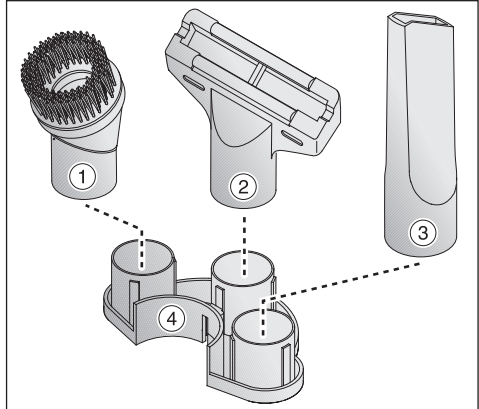


# Using the included accessories

The following accessories are included:

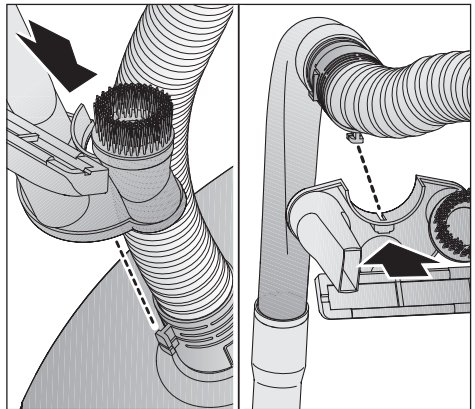
- ① Dust brush with natural bristles
- ② Upholstery tool
- ③ Crevice nozzle
- ④ Accessory clip for the included accessories

Position the accessories as indicated.



## Accessory clip

- Press the accessory clip either above the hose connector or below the suction hose. Be sure it clicks into place.

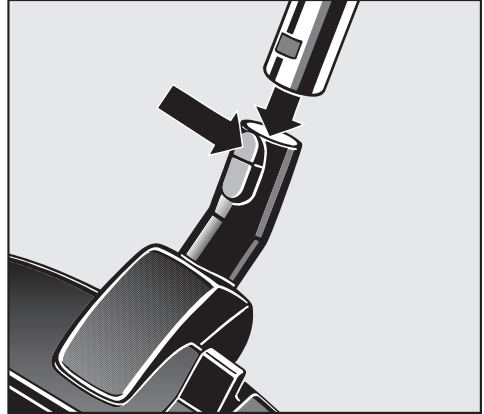


## Using the included accessories

### Attaching the floor tool/brush

- Insert the wand into the floor brush and twist until it locks with a click.
- To release the floor brush from the telescopic wand, press the locking button (see arrow) and pull the wand out of the floor brush.

Observe the cleaning instructions of the floor manufacturer.



### SBB 300-3 Floor brush

(depending on model)

The floor brush is suitable for cleaning all hard flooring.



### Floor brush Parquet-3

(depending on model)


Special brush with natural bristles intended for cleaning parquet and laminate floors, especially those susceptible to scratching.

The parquet floor brush can be cleaned with the vacuum cleaner using the crevice nozzle if necessary.



# Operation

## Power cord

 Unwind the cord completely to aid the vacuum in dissipating heat.


Do not pull or carry by the cord, use the cord as a handle, close a door on the cord, or pull the cord around sharp edges or corners. Do not run the appliance over the cord. Keep the cord away from heated surfaces.

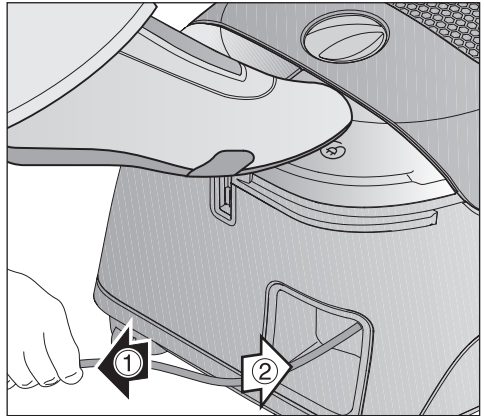
Do not unplug by pulling the cord. To unplug grasp the plug, not the cord.

This appliance is equipped with a power cord reel. Hold the plug when rewinding onto cord reel. Do not allow plug to whip when rewinding.

## Unwinding

- Hold the plug and pull ① out the power cord.

 To reduce the risk of electric shock, the vacuum has a polarized plug (one blade is wider than the other). This plug will fit in a polarized outlet only one way. If the plug does not fit fully in the outlet, contact a qualified electrician. Do not alter the plug in any way.  
Danger of overheating and damage.



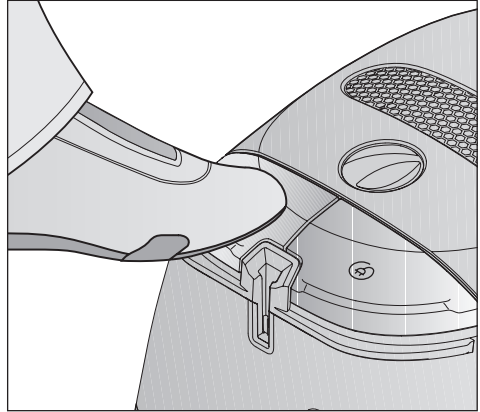
## Rewinding

- Unplug the vacuum from the outlet.
- Press the rewind switch - the power cord will rewind automatically ②.  
Hold the plug so that it does not whip around when rewinding.

## Turning the vacuum On/Off

- Press the On/Off foot switch ①.

⚠ To prevent static electricity your hand must touch the metal inlay on the underside of the vacuum hand piece. Be certain to continuously touch this inlay when vacuuming fine dust, flour or sawdust as these materials are more likely to create a static discharge. To further prevent static discharge, pull the vacuum along by the hose with one hand while continuing to hold the hand piece in the other hand.









# Operation

## Adjusting the suction

You can adjust the suction power to suit the type of flooring. By reducing the suction power the floor brush can be pushed easier.

The symbols on the controls indicate the type of use the settings are suitable for:

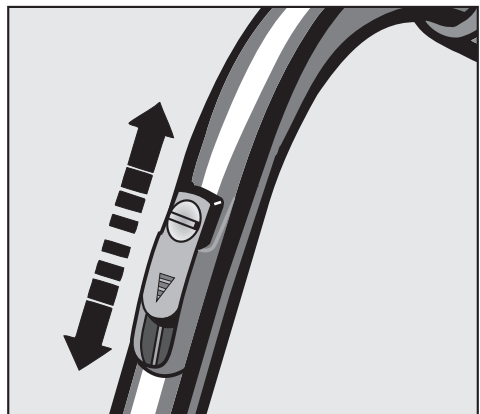
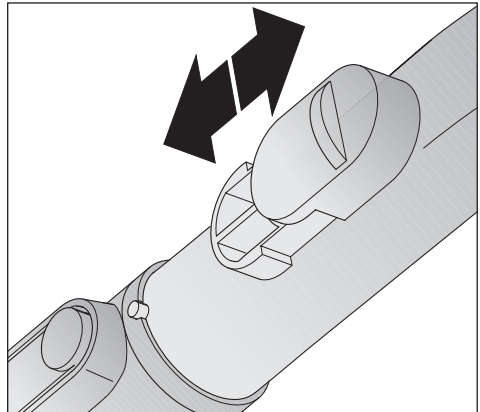
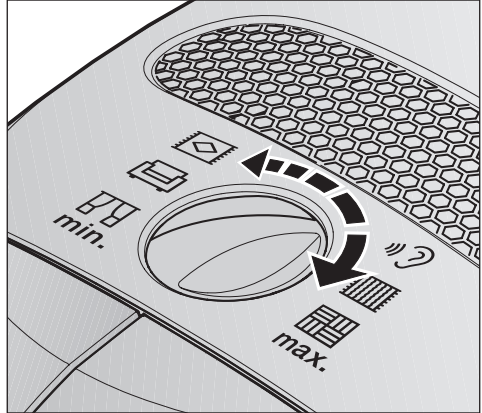
-  curtains, lightweight fabrics
  -  upholstery, cushions
  -  thick pile carpets, rugs and runners
  -  energy saving, daily vacuuming with low noise level
  -  lightly soiled textured carpets
  -  textured hard flooring, and for intensive cleaning of carpets
- Turn the suction power selector to the desired setting.

## Opening the air inlet valve

The air inlet valve can be opened to quickly reduce the suction power of the tool being used, e.g. when moving from a carpet to an area rug.

- Open the air inlet valve far enough to reduce the suction power.

Opening the air inlet valve reduces the power to the tool being used.



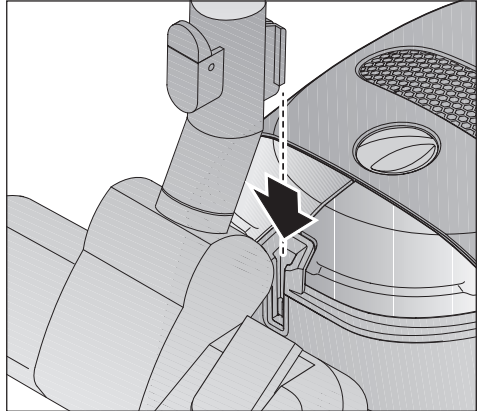


## Park-System

(Cannot be used with the Powerbrush SEB 228 / EB03.)

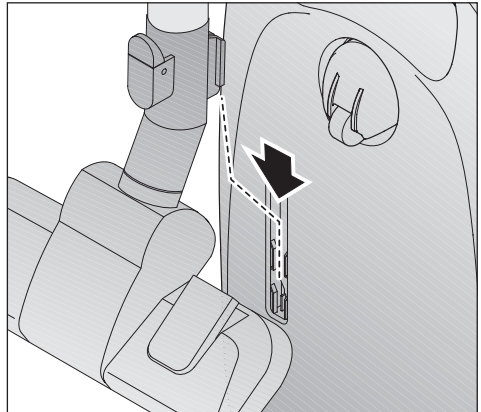
The Park system allows you to conveniently park the wand and floor brush on the vacuum cleaner during brief pauses.

- Insert the lower clip on the floor brush into the slot on the end of the vacuum cleaner from above.




## Transport and storage

- For easier transportation and storage stand the vacuum cleaner vertically.
- Insert the parking clip attachment on the floor brush into the parking slot from above (does not apply to Powerbrush SEB 228 / EB03).
- To save space, completely collapse the tubes in the telescopic wand.



## Maintenance and care

---


 Turn off and unplug the vacuum cleaner before performing any maintenance work.

The Miele filter system consists of the following three components.

- Dustbag
- Exhaust filter
- Dust compartment filter

Each of these components must be changed periodically to maintain the vacuum cleaner's efficiency.

Only use Miele dustbags, filters and accessories with the "Original Miele" logo. Only then can the suction power of the vacuum cleaner reach its optimum potential creating the best possible cleaning results.

 The use of dustbags made of paper or a similar material, or dustbags with a cardboard retaining plate can lead to serious damage to the vacuum cleaner and possibly voiding the warranty, just as with the use of dustbags without the "Original Miele" logo.

### Purchasing new dustbags and filters

Original Miele dustbags and filters can be purchased from an authorized Miele vacuum dealer or by visiting the Miele store at <http://store.miele.com>.

### Which dustbags and filters are the right ones?

This vacuum cleaner uses Original Miele dustbags Type **G/N** and an Original Miele filters, the "Original Miele" Logo will appear on the packaging or directly on the dustbag.



An "Air clean" exhaust filter and a dust compartment filter are supplied with every box of Miele dustbags. If you would like to purchase additional Miele filters separately, contact your vacuum dealer or Miele, please quote the model number of your Miele vacuum cleaner to ensure correct parts are ordered. These parts are also available to order from the online Miele store.

The exhaust filter supplied with the vacuum cleaner can be exchanged with another type of Original Miele filter (see "Exchanging exhaust filters").

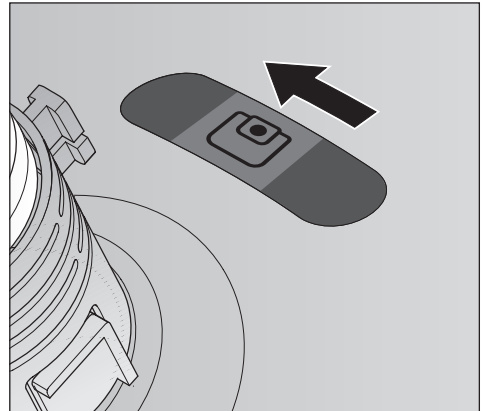
### When to change the dustbag

Change the dustbag when the colored marker in the airflow indicator fills the display.

Miele dustbags are disposable and made to be used only once. Do not attempt to reuse.

### Checking the airflow indicator

- Attach the floor brush to the vacuum cleaner. Perform this test with the floor brush only, since other attachments can affect the function of the airflow indicator.
- Turn the vacuum cleaner on and select the highest power setting.
- Lift the floor brush slightly off the floor. If the marker completely fills the indicator window, the dustbag needs to be changed.



### How the airflow indicator works

The airflow indicator is designed to show when the bag is full of common household dust and measures the amount of air flow through the dustbag. Normal household dust is a mixture of dust, hair, carpet fluff, threads, sand, etc.

However, if fine dust, such as drill dust, sand, plaster or flour is vacuumed, the pores of the dustbag may become blocked. The marker will indicate that the bag is "full" even when it is not. The dustbag should be changed as the suction power is greatly reduced.

If the bag is bulging with pet fur, hair, carpet fluff, etc. the indicator may not register "full". This is because the air flow of the dustbag may still be high enough not to activate the marker to show maximum. The dustbag should still be changed.

# Maintenance and care

## Replacing the dustbag

- Open the dust compartment lid and raise until it clicks into place.

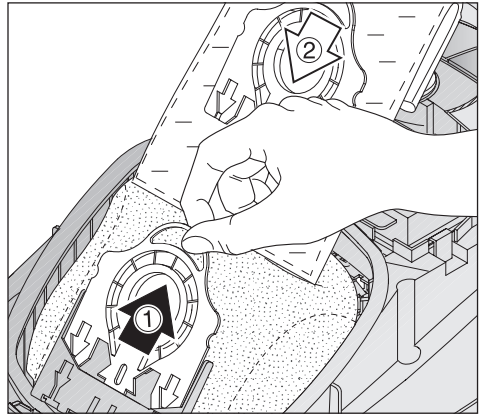
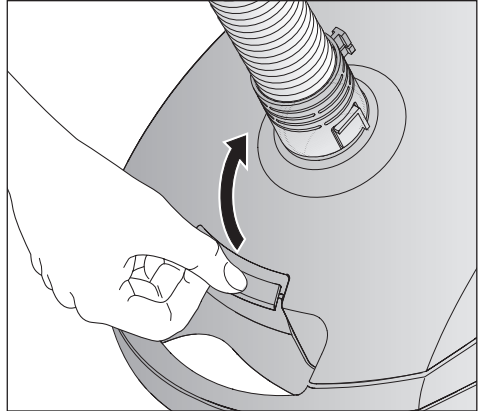
The dustbag has a closing flap which closes automatically when the dust compartment lid is raised to prevent any dust from escaping.


- Grasp the finger grip and pull ① the dustbag out of the holder.

- Insert ② the new dustbag as far as it will go into the dustbag holder. Do not unfold the dustbag when taking it out of the box.

- Unfold the dustbag in the dust compartment.

- Push the dust compartment lid closed until it clicks into place. Take care not to jam the dustbag in the lid.



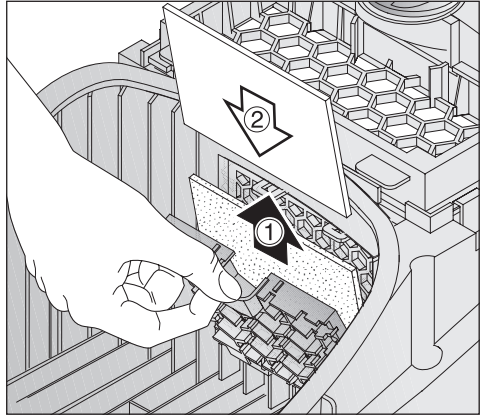
 An empty-operation-barrier blocks the dust compartment lid from closing if no dustbag is inserted. Do not force it closed.

## When to change the dust compartment filter (Pre-motor filter)

Change the filter each time you open a new box of genuine Miele dustbags. A dust compartment filter is supplied with each box.

## Replacing the dust compartment filter (Pre-motor filter)

- Open the dust compartment lid.
- Open the filter frame, remove the old filter, and insert a new filter.
- Close the filter frame.
- Close the dust compartment lid.



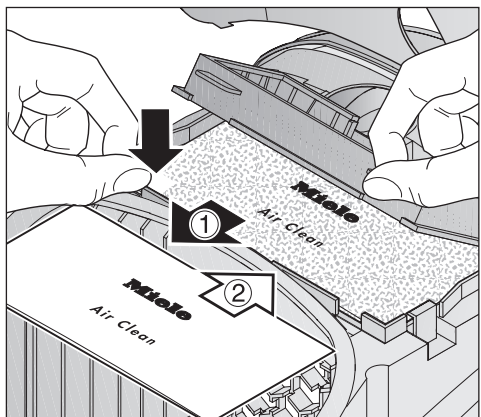
## When to replace the Air Clean exhaust filter

Each time a new box of Miele dustbags is opened, this filter should be changed. A new Air Clean exhaust filter is included in every box of Miele dustbags.

## Replacing the Air Clean filter

Do not use more than one filter at a time.

- Open the dust compartment lid.
- Open the filter frame until it clicks, grasp the clean corner (see arrow) and remove the used filter ①.
- Insert the new filter ②.
- Close the filter frame.
- Close the dust compartment lid.



# Maintenance and care

---

## Exchanging exhaust filters

Depending on the model, there may also be an Active HEPA exhaust filter included which can be used instead of the standard Air Clean exhaust filter.

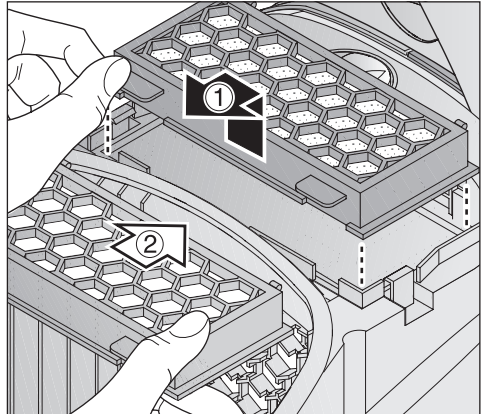
In order to use the Active HEPA filter the Air Clean filter and filter frame must be removed.

## When to change the Active HEPA exhaust filter

Change this filter approximately once a year. You can make a note of the date directly on the exhaust filter.

## Replacing the Active HEPA exhaust filter

- Open the dust compartment lid.
- Remove the used exhaust filter ①.
- Insert a new filter ②.
- Close the dust compartment lid.



## When to change the thread catcher on the standard floor brush

(depending on model)

The thread catcher on the floor brush should be replaced as soon as they appear worn.

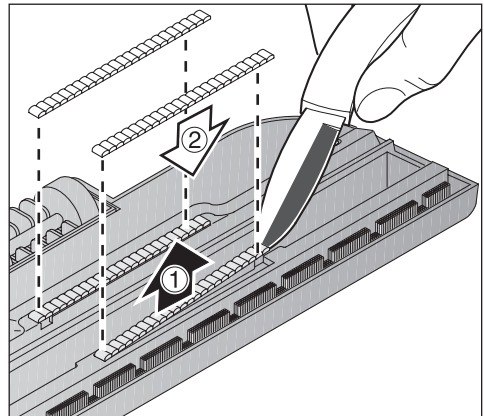
## Changing the thread catcher

Some models may include one of the following floor heads:

### Floor brush SBD 350-3 or AIRTEQ


- Using a knife or similar object, lift the thread catcher out of the slot by the red marking on the side ①.
- Insert a new thread catcher into the slots ②.

New thread catcher pads can be purchased from any authorized Miele vacuum dealer or Miele.




## Cleaning and care

---

 Turn off the vacuum and unplug it from the outlet before performing any maintenance work.

### Vacuum cleaner and accessories


The vacuum cleaner and other plastic accessories can be cleaned with a damp cloth or a cleaner suitable for plastics.

 Do not use abrasive, glass or all purpose cleaners! They will damage the surface.


### Dust compartment

The dust compartment can, if necessary, be cleaned using a **dry** cloth, dusting brush or a second vacuum to remove any dust.

Monitor the airflow indicator and inspect all filters regularly. Clean or replace them when necessary according to these Operating Instructions.

 Do not submerge the vacuum in water. If moisture gets into the appliance there is the risk of an electric shock.



 Turn off and unplug the vacuum cleaner before performing any maintenance work.

### **What if the vacuum turns off automatically?**

The vacuum has overheated. The temperature limiter automatically turns the vacuum off.

This can occur if, for instance, large articles block the suction tube or when the filter bag is full or contains particles of fine dust. A heavily soiled exhaust or dust compartment filter can also be the cause of overheating. Turn the vacuum off ① and pull the plug from the outlet.

Check for any blockages and allow the vacuum to cool for 30 minutes.

## Optional accessories

### Powerbrush

Observe the cleaning instructions of the floor manufacturer.

The Powerbrush can only be used with models containing a Powerbrush socket, see "Guide to the Vacuum Cleaner".

#### **Powerbrush SEB 228 (EB03) / SEB 217-3 (EB02)**

The Powerbrush is particularly suitable for cleaning and restoring crushed carpet pile of wall to wall carpeting and floor coverings subject to hard wear, especially in high traffic areas. The Powerbrush can also be used on smooth floor surfaces.

In order to use the Powerbrush with this vacuum you will also need:

- Electro telescopic wand SET 220
- Electro suction hose SES 116.



### **Turbobrush Turbo Comfort - 3**

The Turbobrush is intended for cleaning short to medium pile carpeting. It is mechanically driven by the suction power of the vacuum. In addition to dust particles it also removes stubbornly adhered threads, hairs, fluff, etc.

Observe the cleaning instructions of the floor manufacturer.

### **Hand Turbobrush Turbo Mini**

The Hand Turbobrush is intended for vacuuming upholstery, mattresses, car seats, carpeted stairs and other areas inaccessible with the standard Turbobrush.

### **Floor brush Hardfloor - 3**

To vacuum sturdy hard floors, e.g. tiles and stone floors.

### **Floor brush Parquet - 3**

Special brush with natural bristles intended for cleaning parquet and laminate floors, especially those susceptible to scratching.

The parquet floor brush can be cleaned with the vacuum cleaner using the crevice nozzle if necessary.

### **Floor brush Parquet Twister**

For cleaning all hard flooring, e.g. parquet and tiles. Especially suitable for vacuuming niches and tight spaces.

### **Floor brush Parquet Twister XL**

This floor brush is 3 ½" (90 mm) wider than the **Parquet Twister** floor brush and has a swivel joint making it ideal for cleaning larger floor areas.

### **Universal brush**

For dusting books, shelves, etc.

### **Flexible crevice tool SFD 20 22" (560 mm)**

Extra large tool for vacuuming difficult to reach areas.

# Technical Service

---

## After sales service

In the event of a fault which you cannot fix yourself please contact the Miele Service Department at the phone number listed on the back of this booklet.

- Please quote the model type of your appliance.

This can be found on the data plate on the bottom of the vacuum.

### **Disposal of packing materials**

The cardboard box and packing materials protect the appliance during shipping.

Ensure that any plastic wrappings, bags, etc. are disposed of safely and kept out of the reach of children. These items pose a danger of suffocation.

### **Disposing of the dustbag and filters**

These are made from environmentally friendly materials and can be placed in the regular household garbage. However, if the dustbag contains prohibited waste, contact your local waste collection center for disposal instructions.

**Please have the model and serial number  
of your appliance available before  
contacting Technical Service.**

---



## **U.S.A. Miele, Inc.**

### **National Headquarters**

9 Independence Way  
Princeton, NJ 08540  
Phone: 800-843-7231  
609-419-9898  
Fax: 609-419-4298  
[www.mieleusa.com](http://www.mieleusa.com)

### **Technical Service & Support Nationwide**

Phone: 800-999-1360  
Fax: 888-586-8056

[TechnicalService@mieleusa.com](mailto:TechnicalService@mieleusa.com)

## **Canada Miele Limited**

### **Headquarters and Showroom**

161 Four Valley Drive  
Vaughan, ON L4K 4V8  
Phone: 800-643-5381  
905-660-9936  
Fax: 905-532-2290  
[www.miele.ca](http://www.miele.ca)  
[professional@miele.ca](mailto:professional@miele.ca)  
(commercial enquiries)

### **MieleCare National Service**

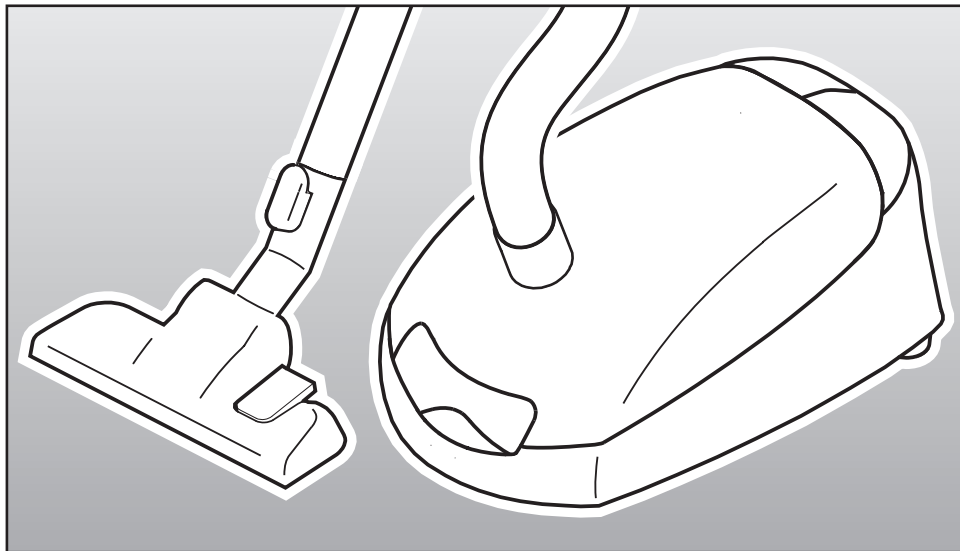
Phone: 800-565-6435  
905-532-2272  
Fax: 905-532-2292  
[customercare@miele.ca](mailto:customercare@miele.ca)  
(general and technical enquiries)

## **Germany**

Miele & Cie. KG  
Carl-Miele-Straße 29  
33332 Gütersloh



## Instructions d'utilisation



## Aspirateur S 2001

Afin de prévenir les accidents et d'éviter d'endommager l'appareil, veuillez lire attentivement les instructions **avant** l'installation et l'utilisation.

**HS12**

fr - CA





<b>INSTRUCTIONS IMPORTANTES DE SÉCURITÉ</b> .....	4
<b>Guide de l'appareil</b> .....	8
<b>Avant d'utiliser l'aspirateur</b> .....	10
<b>Utilisation des accessoires fournis</b> .....	12
<b>Fonctionnement</b> .....	13
Cordon d'alimentation .....	13
Déroulement du cordon .....	14
Réenroulement du cordon .....	14
Mise en marche et arrêt de l'aspirateur .....	14
Réglage de la puissance d'aspiration .....	15
Ouverture de la soupape d'entrée d'air .....	15
<b>Transport et rangement</b> .....	16
<b>Entretien</b> .....	17
Achat de nouveaux sacs à poussière et de filtres .....	17
Les sacs à poussière et les filtres convenant à votre appareil .....	17
À quel moment remplacer le sac à poussière .....	18
Remise en place du sac à poussière .....	19
À quel moment remplacer le filtre du réservoir à poussière (filtre situé devant le moteur) .....	20
Remplacement du filtre du réservoir à poussière (filtre situé devant le moteur) .....	20
À quel moment remplacer le filtre d'évacuation Air Clean .....	20
Remplacement du filtre Air Clean .....	20
Interchangement des filtres d'évacuation .....	21
À quel moment remplacer le filtre d'évacuation Active HEPA .....	21
Remplacement du filtre Active HEPA .....	21
À quel moment remplacer les capteurs de fils sur la brosse à plancher standard ..	22
Remplacement des capteurs de fils .....	22
<b>Questions fréquemment posées / Service technique</b> .....	23
<b>Nettoyage et entretien</b> .....	24
<b>Accessoires offerts en option</b> .....	25
<b>Protection de l'environnement</b> .....	27

# INSTRUCTIONS IMPORTANTES DE SÉCURITÉ

---

Lorsque vous utilisez un appareil électrique, respectez toujours les consignes de sécurité élémentaires :

## LISEZ ATTENTIVEMENT TOUTES LES INSTRUCTIONS AVANT D'UTILISER L'APPAREIL

### **AVERTISSEMENT - Pour diminuer le risque d'incendie, de choc électrique ou de blessure, suivez les instructions suivantes :**

#### **Avant la première utilisation**

► Vérifiez la capacité en voltage de l'aspirateur avant de brancher le cordon d'alimentation dans une prise électrique. La tension de votre source d'alimentation doit correspondre à la capacité en voltage indiquée sur la plaque signalétique située sous l'aspirateur.

Utilisez uniquement des prises de courant alternatif. N'utilisez jamais des prises de courant continu. Consultez un électricien qualifié si vous n'êtes pas sûr de connaître la capacité en voltage de votre système électrique. Si vous branchez votre aspirateur à une source d'alimentation de tension supérieure, vous pourriez vous blesser ou endommager votre appareil.

► Pour réduire le risque de choc électrique, l'aspirateur est muni d'une fiche polarisée (l'une des broches est plus large que l'autre). Cette fiche peut être insérée dans une prise polarisée d'une seule manière. Si la fiche ne peut être entièrement insérée dans la prise, retournez-la. S'il est encore impossible de l'insérer, faites appel à un électricien qualifié qui peut installer une prise appropriée. Ne modifiez aucunement la fiche.

► Un appareil endommagé présente des risques. Vérifiez l'emballage, l'appareil et ses accessoires afin de détecter tout signe de dommages. N'utilisez pas un appareil endommagé.

► N'utilisez pas l'appareil avec un cordon ou une prise endommagé. Si l'appareil ne fonctionne pas correctement, s'il est tombé, endommagé, a été laissé à l'extérieur ou immergé dans l'eau, apportez-le à un centre de services.

► La prise électrique doit être équipée d'un fusible de 15 ampères.

# INSTRUCTIONS IMPORTANTES DE SÉCURITÉ

---

## Utilisation

► N'utilisez pas cet appareil pour nettoyer des personnes ou des animaux.

► N'utilisez pas l'appareil à l'extérieur ou sur des surfaces humides. Ne nettoyez que des surfaces **sèches**.

► Utilisez l'appareil conformément aux instructions du présent manuel. Utilisez uniquement les accessoires recommandés par Miele décrits dans le présent manuel.

► Cet appareil est destiné uniquement à un usage domestique.

► Cet aspirateur n'est pas un jouet. Il est nécessaire d'être vigilant lorsqu'il est utilisé à proximité d'enfants.

► N'utilisez jamais l'aspirateur si le sac à poussière ou les filtres ne sont pas en place. Vous pourriez endommager l'appareil.

► Le couvercle du réservoir à poussière ne se ferme pas si le sac à poussière n'est pas en place. Ne forcez pas le couvercle pour qu'il ferme.

► Ne laissez pas l'aspirateur branché. Débranchez-le lorsqu'il n'est pas utilisé ou avant de procéder à l'entretien.

► Une plaque de métal conçue pour absorber l'électricité statique est placée sous la poignée. Assurez-vous que votre main reste en contact avec cette plaque lorsque vous utilisez l'appareil.

► Les personnes qui, en raison de capacités physiques, sensorielles ou mentales réduites, ou d'un manque d'expérience, ne sont pas en mesure d'utiliser cet appareil doivent être supervisées ou formées par une personne responsable.

► Déroulez complètement le cordon afin de favoriser l'évacuation de la chaleur.

► N'utilisez pas cet aspirateur pour ramasser ou conserver des matières dangereuses.

► N'aspirez pas de liquides ou de poussières humides. Cela pourrait nuire à la sécurité électrique de l'appareil. Si des moquettes ont été fraîchement lavées, attendez qu'elles soient complètement sèches avant de passer l'aspirateur.

► N'aspirez aucun élément brûlant ou fumant comme des cigarettes, des allumettes ou des cendres chaudes. L'aspirateur pourrait prendre feu.

► N'aspirez pas de poudre imprimante. Cette poudre, utilisée pour les imprimantes et les photocopieurs, peut être conductrice.

► N'aspirez pas de liquides inflammables ou combustibles comme de l'essence et n'utilisez pas l'appareil dans des zones où ces matières pourraient être présentes.

► N'aspirez pas d'éléments lourds, durs ou ayant des bords coupants. Ils pourraient boucher et endommager l'appareil.

# INSTRUCTIONS IMPORTANTES DE SÉCURITÉ

---

► Ne tirez pas sur le cordon, ne vous en servez pas comme une poignée, ne le coincez pas dans une porte et ne le laissez pas en contact avec des extrémités ou des coins tranchants. Ne faites pas passer l'appareil sur le cordon. Veillez à ce que le cordon n'entre pas en contact avec des surfaces chaudes.

► Ne débranchez pas l'appareil en tirant sur le cordon. Tirez sur la fiche et non sur le cordon.

► Ne manipulez pas la fiche ou le cordon avec les mains mouillées.

► Veillez à maintenir vos cheveux, vos vêtements amples, vos doigts ou toute autre partie de votre corps ainsi que le cordon à distance des ouvertures et des parties mobiles de l'appareil.

► Ne placez aucun objet dans les ouvertures de l'aspirateur. N'utilisez pas l'appareil si l'une des ouvertures est obstruée; gardez les ouvertures libres de toute poussière, charpie, cheveu ou de tout élément qui pourrait limiter la circulation d'air.

► Afin d'éviter tout risque de blessure lorsque vous utilisez votre aspirateur, ne touchez pas à la brosse rotative de l'électrobrosse. Sinon, vous risquez de vous blesser.

► Cet appareil est muni d'un enrouleur du cordon d'alimentation. Maintenez la fiche lorsque vous enroulez le cordon de l'appareil. Ne laissez pas la fiche vivrevolter lorsque vous enroulez le cordon.

► Éteignez toutes les commandes avant de débrancher l'appareil.

► Soyez prudent lorsque vous nettoyez un escalier.

► Les accessoires et les tubes ne doivent pas être utilisés à la hauteur de la tête afin d'éviter tout risque de blessure aux yeux et aux oreilles.

## Accessoires

► Le raccord de l'aspirateur (selon le modèle) doit être uniquement utilisé avec l'électrobrosse Miele.

► Débranchez l'aspirateur avant de changer les accessoires, particulièrement l'électrobrosse.

► L'électrobrosse Miele est un accessoire actionné par un moteur, prévu pour être utilisé uniquement avec les aspirateurs Miele. L'aspirateur ne doit pas être utilisé avec une électrobrosse d'une autre marque.

► N'utilisez pas l'appareil sans la présence d'un accessoire placé à l'extrémité du tuyau ou du tube télescopique. Le rebord du tube pourrait être endommagé et les angles vifs pourraient causer des blessures.

► Les sacs à poussière Miele sont jetables. Ne les réutilisez pas. Un sac trop plein diminuera l'efficacité de l'aspirateur.

► Utilisez seulement des sacs à poussière portant le sceau de qualité Miele et des filtres et accessoires Miele d'origine. Ce sont les seuls qui sont garantis par le fabricant.

► Éteignez toujours cet appareil avant de brancher ou de débrancher la buse motorisée.

# INSTRUCTIONS IMPORTANTES DE SÉCURITÉ

---

## Nettoyage, entretien et réparations

► Éteignez l'aspirateur après chaque utilisation et avant d'effectuer l'entretien. Retirez la fiche de la prise de courant.

► Ne plongez jamais l'aspirateur dans l'eau. Utilisez uniquement un chiffon sec ou légèrement humide pour nettoyer l'appareil une fois qu'il est débranché. Si l'humidité pénètre dans l'appareil, vous risquez de subir un choc électrique.

► Surveillez le voyant de remplacement du sac à poussière et vérifiez régulièrement les filtres. Pour obtenir un rendement optimal, le sac à poussière et les filtres doivent être remplacés fréquemment. Un sac plein ou un filtre obstrué réduit la puissance d'aspiration de l'appareil. Le limiteur de température éteint automatiquement l'appareil si ce dernier surchauffe. Voir la section "Entretien – L'aspirateur s'éteint automatiquement".

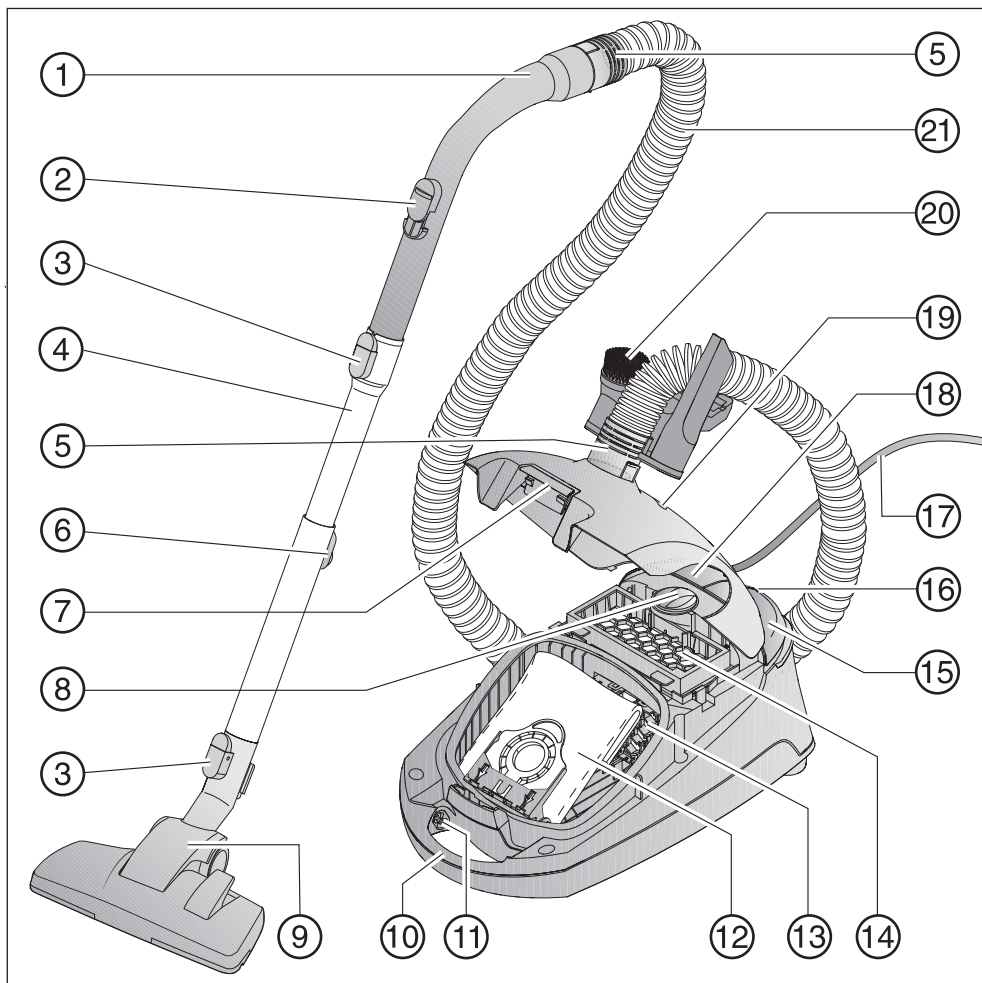
► Les réparations doivent être effectuées uniquement par un technicien autorisé, conformément aux normes de sécurité nationales et locales. Les réparations effectuées par des personnes non qualifiées pourraient causer des blessures ou endommager l'appareil et pourraient invalider la garantie.

## Mise au rebut d'un ancien appareil

► Avant de mettre au rebut votre ancien appareil, coupez le cordon d'alimentation et rendez la fiche inutilisable. Assurez-vous que votre appareil ne présente aucun danger pour les enfants jusqu'à ce qu'il soit mis au rebut.

## CONSERVEZ CES INSTRUCTIONS

# Guide de l'appareil



- ① Poignée
- ② Soupape d'entrée d'air
- ③ Bouton de dégagement
- ④ Tube télescopique
- ⑤ Raccord du tuyau
- ⑥ Bouton de dégagement du tube télescopique
- ⑦ Bouton d'ouverture du couvercle du réservoir à poussière
- ⑧ Sélecteur de puissance d'aspiration
- ⑨ Brosse à plancher \*
- ⑩ Poignée de transport
- ⑪ Prise pour électrobrosse
- ⑫ Sac à poussière
- ⑬ Filtre du réservoir à poussière (filtre situé devant le moteur)
- ⑭ Filtre d'évacuation
- ⑮ Interrupteur ① au pied
- ⑯ Système d'immobilisation
- ⑰ Cordon d'alimentation
- ⑱ Interrupteur pour réenrouler le cordon
- ⑲ Indicateur de circulation d'air
- ⑳ Attache pour accessoires avec trois outils
- ㉑ Tuyau d'aspiration

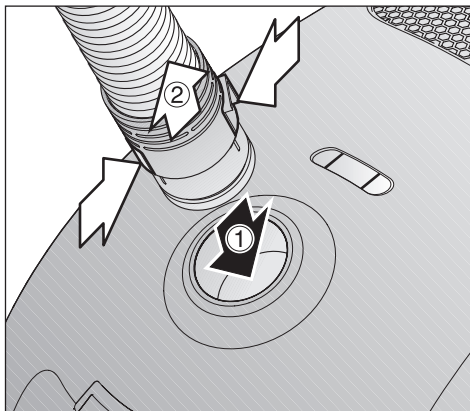
Les pièces marquées d'un \* varient et peuvent ne pas être fournies avec le modèle de votre appareil.

Vous pouvez vous procurer des accessoires optionnels auprès de votre détaillant Miele ou sur le site de Miele à [www.miele.ca](http://www.miele.ca).

# Avant d'utiliser l'aspirateur

## Raccordement du tuyau ①

- Insérez le raccord du tuyau dans la prise d'aspiration jusqu'à ce que vous entendiez un déclic.

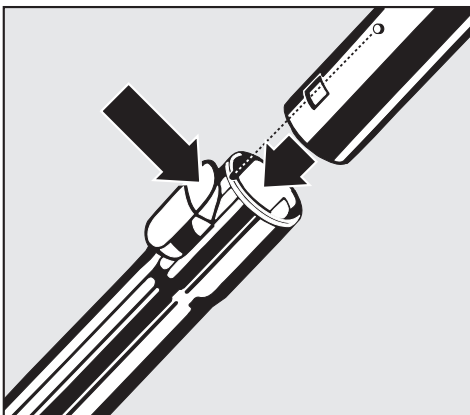


## Retrait du tuyau ②

- Appuyez sur les boutons de dégagement placés sur les côtés du raccord du tuyau et soulevez le tuyau de la prise.

## Raccordement de la poignée et du tube

- Insérez la poignée dans le tube jusqu'à ce que vous entendiez un déclic. Pour ce faire, guidez-vous sur les aubes d'entrée.



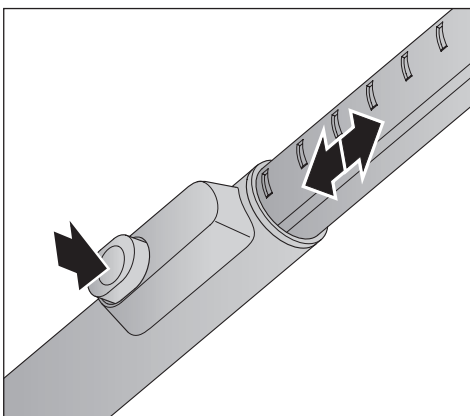
## Retrait de la poignée

- Appuyez sur le bouton de dégagement et retirez la poignée du tube.

## Réglage de la longueur du tube télescopique

Les deux parties du tube télescopique s'emboîtent, ce qui vous permet de le régler à votre taille pour une utilisation tout en confort.

- Appuyez sur le bouton de dégagement du tube télescopique afin de dégager les deux tubes et en régler la longueur.





## Utilisation de la brosse à plancher standard

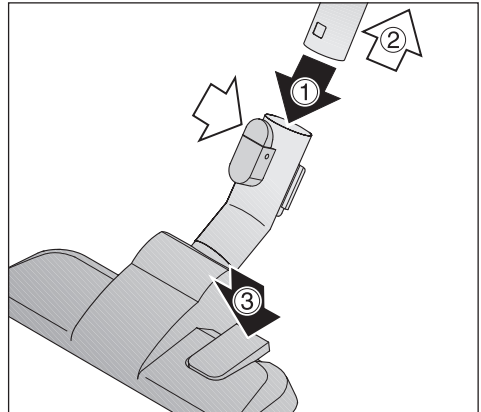
(selon le modèle)

Respectez les instructions de nettoyage du fabricant du revêtement de sol.

La brosse à plancher convient au nettoyage de la moquette, des tapis, des tapis d'escalier et des surfaces dures qui ne sont pas susceptibles d'être rayées.

## Raccordement de la brosse à plancher

- Placez la brosse à plancher dans ① le tuyau d'aspiration et tournez la jusqu'à ce quelle s'enclenche.
- Pour séparer les deux pièces ②, appuyez sur le bouton de dégagement et tirez sur les deux pièces.



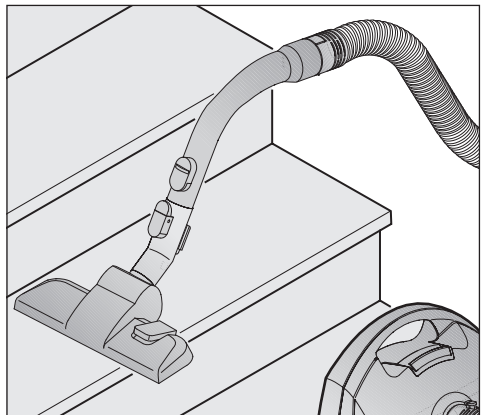
## Ajustement de la brosse à plancher ③

Pour nettoyer la moquette et les tapis, abaissez l'outil comme suit :

- Basculez l'interrupteur au pied à la position  ou  (selon le modèle).

Pour nettoyer les planchers lisses, relevez l'outil comme suit :

- Basculez l'interrupteur au pied à la position  ou  (selon le modèle).



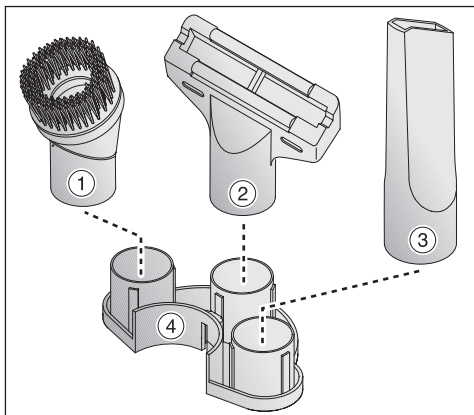
Par mesure de sécurité, il est préférable de nettoyer l'escalier de bas en haut.

## Utilisation des accessoires fournis

Les accessoires suivants sont fournis :

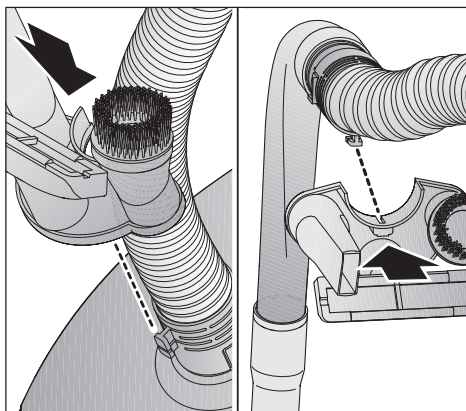
- ① Brosse à épousseter munie de poils naturels
- ② Embout pour meubles rembourrés
- ③ Suceur plat
- ④ Attache pour les accessoires inclus

Placez les accessoires de la façon indiquée.



### Attache pour accessoires

- Appuyez sur l'attache pour accessoire, soit au-dessus du raccord du tuyau ou sous le tuyau d'aspiration. Assurez-vous qu'elle est bien en place (vous entendrez un clic).



### Brosse à parquet - 3


(selon le modèle)

Brosse spéciale munie de poils naturels servant à nettoyer des parquets et des planchers lamellés, plus particulièrement des parquets et des revêtements de sol susceptibles d'être rayés.

Il est possible de nettoyer la brosse à parquet avec l'aspirateur, à l'aide du suceur plat, au besoin.



## Cordon d'alimentation

 Déroulez complètement le cordon afin de favoriser l'évacuation de la chaleur.

Ne tirez pas sur le cordon, ne vous en servez pas comme une poignée, ne le coincez pas dans une porte et ne le laissez pas en contact avec des extrémités ou des coins tranchants. Ne faites pas passer l'appareil sur le cordon. Veillez à ce que le cordon n'entre pas en contact avec des surfaces chaudes.

Ne débranchez pas l'appareil en tirant sur le cordon. Tirez sur la fiche et non sur le cordon.

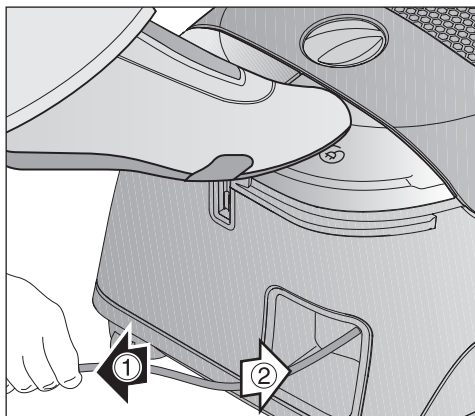
Cet appareil est muni d'un enrouleur du cordon d'alimentation. Maintenez la fiche lorsque vous enroulez le cordon de l'appareil. Ne laissez pas la fiche virevolter lorsque vous enroulez le cordon.

# Fonctionnement

## Dérroulement du cordon

- Déroulez le cordon d'alimentation ① en tirant sur la fiche.

⚠ Pour réduire le risque de choc électrique, l'aspirateur est muni d'une fiche polarisée (l'une des broches est plus large que l'autre). Cette fiche peut être insérée dans une prise polarisée d'une seule manière. Si la fiche ne peut être entièrement insérée dans la prise, consultez un électricien qualifié. Ne modifiez aucunement la fiche. Risque de surchauffe et de dommage.



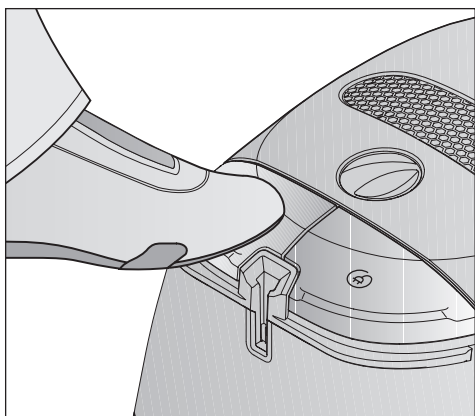
## Réenroulement du cordon

- Débranchez l'aspirateur de la prise de courant.
- Appuyez sur l'interrupteur au pied. Le cordon d'alimentation se réenroulera automatiquement ②. Tenez la fiche de façon à ce que le cordon ne virevolte pas lorsqu'il se réenroule.

## Mise en marche et arrêt de l'aspirateur

- Appuyez sur l'interrupteur.







⚠ Pour éviter la charge électrostatique, votre main doit rester en contact avec la pièce métallique placée sous la poignée. Assurez-vous que votre main enveloppe bien cette pièce lorsque vous nettoyez de la poussière fine, de la farine ou de la sciure, car ce sont les substances les plus susceptibles de causer une charge électrostatique. Pour prévenir encore davantage la charge électrostatique, tirez l'aspirateur en le tenant par le tuyau d'une main tout en enveloppant la poignée de l'autre main.



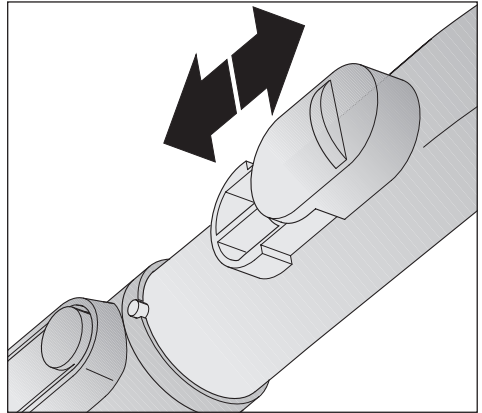
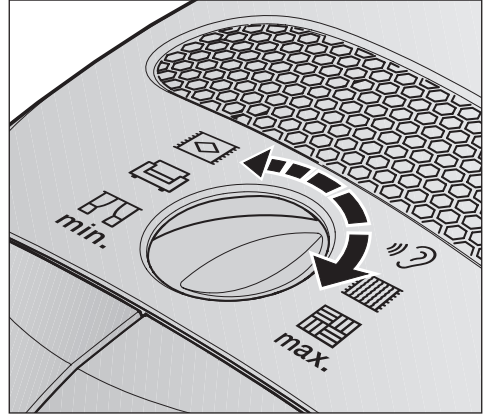
## Réglage de la puissance d'aspiration

Vous pouvez régler la puissance d'aspiration en fonction du type de surface à nettoyer. Lorsque la puissance d'aspiration est réduite, il est plus facile de manier la brosse à plancher.

Les symboles du sélecteur indiquent les types d'utilisation convenant aux différents réglages.

-  rideaux, tissus légers
-  meubles rembourrés, coussins
-  moquettes à poils longs, tapis et tapis de passage
-  utilisation quotidienne à faible consommation d'énergie et à faible niveau de bruit
-  tapis texturés légèrement sales
-  sols durs texturés et nettoyage en profondeur des tapis

- Tournez le sélecteur de puissance d'aspiration pour le mettre au niveau souhaité.

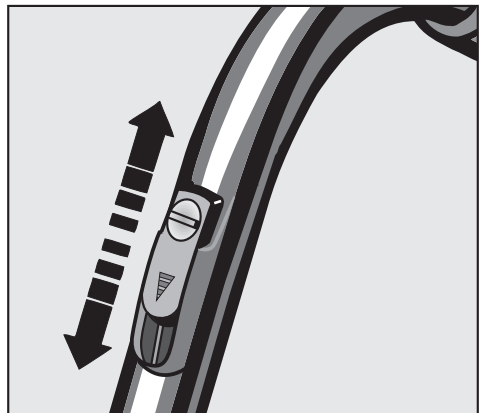


## Ouverture de la soupape d'entrée d'air

Vous pouvez ouvrir la soupape d'entrée d'air afin de réduire rapidement la puissance d'aspiration de l'outil utilisé (p. ex. pour passer de la moquette au tapis).

- Ouvrez la soupape d'entrée d'air suffisamment pour réduire la puissance.

Le fait d'ouvrir la soupape d'entrée d'air permet de réduire la puissance de suction de l'accessoire utilisé.



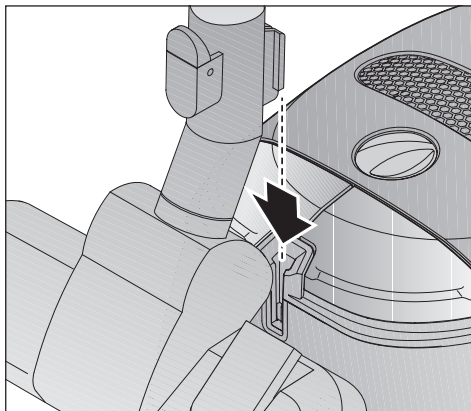
# Transport et rangement

## Système d'immobilisation

(ne peut être utilisé avec l'électrobrosse SEB 228/EB03)

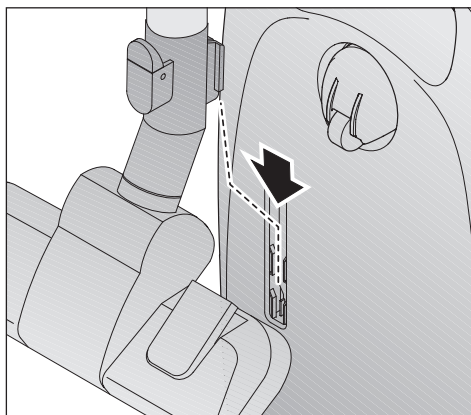
Le système d'immobilisation vous permet d'immobiliser le tube et la brosse à plancher sur l'aspirateur pendant de brèves pauses.


- Insérez par le haut l'attache inférieure se trouvant sur la brosse dans la fente située à l'extrémité de l'aspirateur.



## Transport et rangement

- Pour faciliter le transport et le rangement, mettez l'aspirateur debout.
- Insérez par le haut l'attache de l'accessoire d'immobilisation sur la brosse à plancher dans la fente prévue à cet effet (ne s'applique pas à l'électrobrosse SEB 228/EB03).
- Afin d'économiser de l'espace, insérez complètement la rallonge ou l'extension dans le tube télescopique.




 Éteignez et débranchez l'aspirateur avant d'effectuer des travaux d'entretien.

Le système de filtrage Miele comprend les trois composantes suivantes :

- Sac à poussière
- Filtre d'évacuation
- Filtre du réservoir à poussière (pour protéger le moteur)

Afin que l'aspirateur demeure efficace, chacune de ces composantes doit être changée périodiquement.

Utilisez uniquement des sacs à poussière portant le sceau de qualité Miele et des filtres Miele pour obtenir une puissance d'aspiration maximale et vous assurer que le sac est utilisé à pleine capacité.

 Le fait d'utiliser des sacs à poussière d'une autre marque pourrait endommager l'aspirateur et invalider la garantie.

### Achat de nouveaux sacs à poussière et de filtres

Vous pouvez vous procurer des sacs à poussière et des filtres auprès d'un détaillant autorisé d'aspirateurs Miele ou en visitant la Boutique Miele en ligne à l'adresse :

<http://www.miele.ca/miele/canada/boutique.asp>.

### Les sacs à poussière et les filtres convenant à votre appareil

Les sacs à poussière Miele d'origine, munis d'une poignée bleue, portant les lettres **G/N** et le sceau de qualité Miele conviennent à votre appareil.



Un filtre Air Clean et un filtre du réservoir à poussière (filtre situé devant le moteur) sont compris dans chaque boîte de sacs à poussière. Vous pouvez vous procurer d'autres filtres auprès d'un détaillant Miele autorisé ou en visitant la Boutique Miele en ligne.

# Entretien

## À quel moment remplacer le sac à poussière

Remplacez le sac à poussière lorsque l'indicateur de couleur remplit la fenêtre de l'indicateur de circulation d'air.

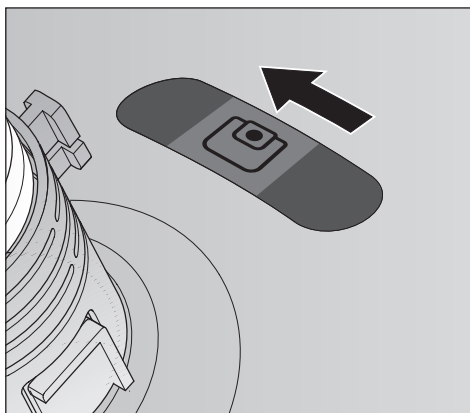
Les sacs à poussière Miele sont jetables. Ne les réutilisez pas.

### Vérification de l'indicateur de circulation d'air

- Fixez la brosse à plancher à l'aspirateur. Faites l'essai uniquement avec la brosse à plancher, car les autres accessoires peuvent nuire au fonctionnement de l'indicateur de circulation d'air.
- Mettez en marche l'aspirateur et sélectionnez le niveau de puissance maximale.
- Soulevez légèrement la brosse à plancher du sol. Si l'indicateur remplit la fenêtre, il faut remplacer le sac à poussière.

### Comment fonctionne le voyant de circulation d'air

L'indicateur de circulation d'air indique à quel moment le sac est rempli de poussière usuelle et fonctionne en mesurant la perméabilité à l'air du sac. La poussière que l'on trouve habituellement dans une résidence est un mélange de poussières, de cheveux, de peluches, de fils, de grains de poussière, etc.



Cependant, si vous aspirez une certaine quantité de poussière fine, telle que de la poussière de forage, du sable, du plâtre ou de la farine, le matériau poreux du sac à poussière se bouche. La fenêtre de l'indicateur affiche alors que le sac est plein, même s'il ne l'est pas en réalité. Il faut tout de même remplacer le sac à poussière, car la puissance d'aspiration est réduite.

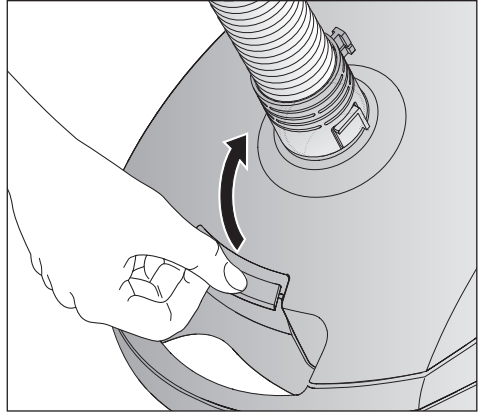
Si vous aspirez une grande quantité de poils d'animaux, de cheveux, de peluches, etc. et que le sac en est gonflé, il est possible que la fenêtre de l'indicateur n'affiche pas que le sac est plein. Cela est dû au fait que le sac à poussière est encore suffisamment perméable à l'air à un point tel que la fenêtre de l'indicateur ne se remplisse pas. Cependant, le sac à poussière doit être changé.



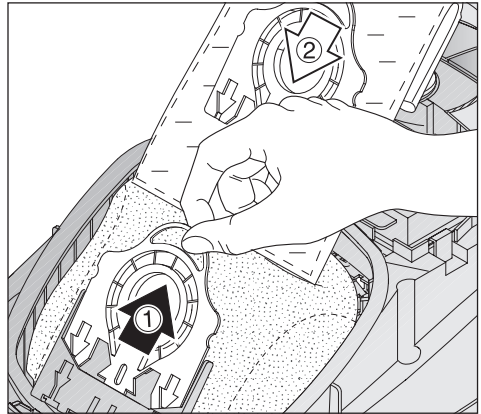
## Remise en place du sac à poussière


- Ouvrez le couvercle du réservoir à poussière et relevez-le jusqu'à ce que vous entendiez un déclic.

Le sac à poussière est muni d'un rabat qui se ferme automatiquement lorsque le couvercle du réservoir à poussière est ouvert pour éviter que la poussière s'échappe.



- Tirez sur la poignée ① afin de retirer le sac à poussière de son support.
- Insérez ② un nouveau sac à poussière et enfoncez-le le plus possible dans son support. Ne déployez pas le sac à poussière lorsque vous le retirez de la boîte.
- Déployez le sac à poussière dans le réservoir.
- Refermez bien le couvercle. Poussez jusqu'à ce qu'il s'enclenche. Faites attention que le sac à poussière ne reste pas coincé dans le couvercle.



 Un dispositif spécifique empêche le couvercle du réservoir à poussière de se refermer si aucun sac à poussière n'est inséré. Ne forcez pas le couvercle pour qu'il ferme.

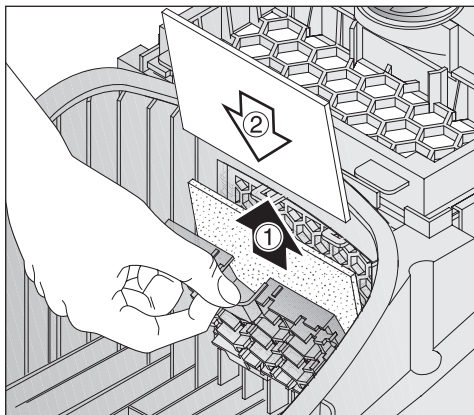
## Entretien

### À quel moment remplacer le filtre du réservoir à poussière (filtre situé devant le moteur)

Remplacez le filtre chaque fois que vous ouvrez une nouvelle boîte de sacs à poussière Miele. Chaque boîte contient un filtre de réservoir à poussière.

### Remplacement du filtre du réservoir à poussière (filtre situé devant le moteur)

- Ouvrez le couvercle du réservoir à poussière.
- Soulevez la grille du filtre, retirez l'ancien filtre et remplacez-le par un nouveau.
- Rabaissez la grille du filtre.
- Refermez le couvercle.



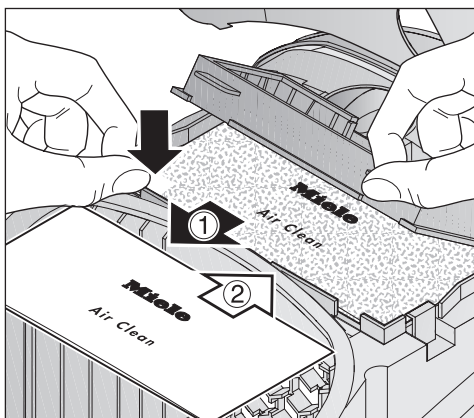
### À quel moment remplacer le filtre d'évacuation Air Clean

Chaque fois que vous ouvrez une nouvelle boîte de sacs à poussière Miele, vous devez changer ce filtre. Chaque boîte de sacs à poussière Miele contient un filtre d'évacuation Air Clean.

### Remplacement du filtre Air Clean

N'utilisez pas plus d'un filtre à la fois.

- Ouvrez le couvercle du réservoir à poussière.
- Relevez la grille du filtre jusqu'à ce qu'un déclic se fasse entendre, et retirez le filtre ① en le prenant par le coin propre (voir la flèche)
- Insérez le nouveau filtre ②.
- Rabaissez la grille du filtre.
- Refermez le couvercle.



## Interchangement des filtres d'évacuation

Selon le modèle, votre appareil peut également comporter un filtre Active HEPA que vous pouvez utiliser à la place du filtre d'évacuation Air Clean standard.

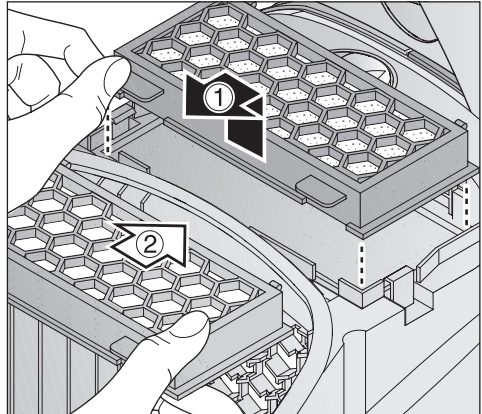
Afin d'utiliser le filtre Active HEPA, vous devez retirer le filtre Air Clean ainsi que sa grille.

## À quel moment remplacer le filtre d'évacuation Active HEPA

Changez ce filtre environ une fois par année. Vous pouvez inscrire la date de remplacement directement sur le filtre d'évacuation.

## Remplacement du filtre Active HEPA

- Ouvrez le couvercle du réservoir à poussière.
- Retirez le filtre d'évacuation ①.
- Insérez le nouveau filtre ②.
- Refermez le couvercle.



# Entretien

## À quel moment remplacer les capteurs de fils sur la brosse à plancher standard

(selon le modèle)

Les capteurs de fils sur la brosse à plancher doivent être remplacés dès qu'ils semblent usés.

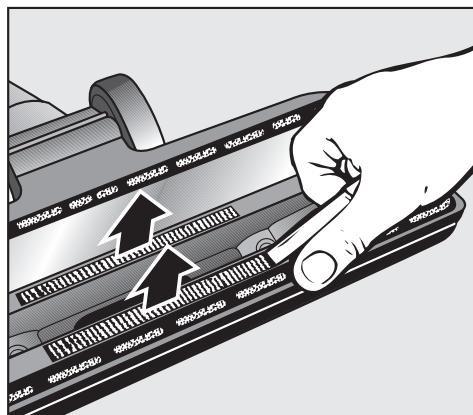
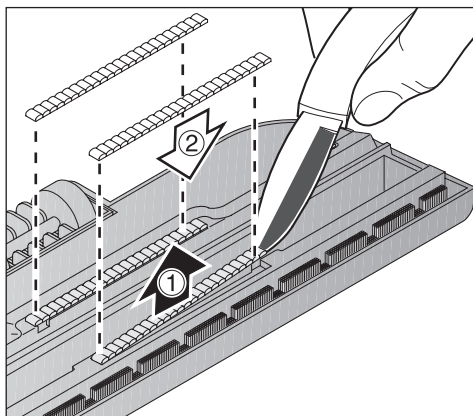
## Remplacement des capteurs de fils


Certains modèles pourraient contenir l'un des accessoires suivants.

### Brosse à plancher SBD 350 3 ou AIRTEQ

- À l'aide d'un couteau ou d'un objet semblable, retirez les capteurs de fils de la fente près du repère rouge sur le côté ①.
- Insérez les nouveaux capteurs de fils dans les fentes ②.

Vous pouvez vous procurer des coussinets de capteurs de fils auprès d'un détaillant autorisé d'aspirateurs Miele ou directement auprès de Miele.



 Éteignez et débranchez l'aspirateur avant d'effectuer des travaux d'entretien.

### **L'aspirateur s'éteint automatiquement.**

L'aspirateur a surchauffé. Le limiteur de température éteint automatiquement l'appareil.

Cela peut se produire, par exemple, lorsque de gros éléments aspirés bloquent le tuyau d'aspiration ou lorsque le sac à poussière est plein, ou encore si celui-ci contient des particules de poussière fine. Si le filtre d'évacuation ou le filtre du réservoir à poussière est très sale, l'aspirateur peut également surchauffer. Éteignez l'aspirateur et débranchez-le de la prise.

Vérifiez si des pièces sont obstruées et laissez l'aspirateur refroidir pendant 30 minutes.

### **Service après-vente**


Si vous ne pouvez résoudre certains problèmes, veuillez communiquer avec le Service technique Miele au numéro indiqué au verso de la présente brochure.

- Veuillez préciser le modèle de votre appareil.

Ce renseignement figure sur la plaque signalétique située en-dessous de l'aspirateur.


# Nettoyage et entretien

---

 Éteignez l'aspirateur et débranchez-le de la prise avant d'effectuer des travaux d'entretien.

## L'aspirateur et ses accessoires


L'aspirateur et les autres accessoires de plastique peuvent être nettoyés à l'aide d'un linge humide ou d'un nettoyant spécialement conçu pour le plastique.

 N'utilisez pas de nettoyants abrasifs, de produits pour vitres ni de nettoyants tout usage. Ces produits endommagent la surface de l'appareil.

## Réservoir à poussière

Le réservoir à poussière peut être nettoyé, si nécessaire, avec un linge **sec**, une brosse à épousseter ou un autre aspirateur.

Surveillez l'indicateur de circulation d'air et vérifiez régulièrement les filtres. Nettoyez-les ou remplacez-les lorsque nécessaire, conformément aux instructions d'utilisation.

 Ne plongez pas l'aspirateur dans l'eau. Si l'humidité pénètre dans l'appareil, vous risquez de subir un choc électrique.

### Électrobrosse

Respectez les instructions de nettoyage du fabricant du revêtement de sol.

L'électrobrosse peut seulement être utilisée avec les modèles comportant une prise à électrobrosse, consultez le "Guide de l'appareil".

#### Électrobrosse SEB 228 (EB03) / SEB 217-3 (EB02)

L'électrobrosse convient particulièrement pour nettoyer et remettre en état les poils écrasés de la moquette ou les revêtements de sol susceptibles de s'user davantage, surtout dans les endroits plus fréquentés.

L'électrobrosse peut aussi être utilisée sur les surfaces lisses.

Afin de pouvoir utiliser l'électrobrosse avec votre appareil, vous aurez également besoin des éléments suivants :

- Le tube télescopique Electro SET 220
- Le tuyau d'aspiration Electro SES 116.



## Accessoires offerts en option

---

### La turbobrosse Turbo Comfort - 3

La turbobrosse sert à nettoyer de la moquette à poils courts à moyens. Elle est entraînée par la puissance d'aspiration de l'aspirateur. En plus d'aspirer les particules de poussière, la turbobrosse enlève les fils, les cheveux et les peluches qui adhèrent obstinément à la moquette.

Respectez les instructions de nettoyage du fabricant du revêtement de sol.

### La mini turbobrosse

La mini-turbobrosse sert à nettoyer les articles rembourrés, les matelas, les sièges de voiture, les escaliers recouverts de tapis et autres endroits qui sont inaccessibles avec la turbobrosse.

### Brosse à sol dur - 3

Pour nettoyer des sols durs, dont les sols en pierre ou carrelés.

### Brosse à parquet - 3

Brosse spéciale munie de poils naturels servant à nettoyer des parquets et des planchers lamellés, plus particulièrement des planchers et des revêtements de sol susceptibles d'être rayés.

Il est possible de nettoyer la brosse à parquet avec l'aspirateur, à l'aide du suceur plat, au besoin.

### Brosse à parquet Twister

Pour nettoyer tous les revêtements de sol durs, p. ex. les parquets et les sols carrelés. Convient particulièrement pour nettoyer les niches et les espaces étroits.

### Brosse à parquet Twister XL

En largeur, cette brosse mesure 3 ½ po (90 mm) de plus que la brosse à **parquet Twister** et est dotée d'un coude pivotant qui s'avère très pratique pour nettoyer de grandes surfaces.

### Brosse universelle

Pour épousseter des livres, des étagères, etc.

### Suceur Flexible SFD 20 22" (560 mm)

Accessoire à bec flexible extra long particulièrement adapté pour le nettoyage des coins difficilement accessibles.



### **Élimination des produits d'emballage**

La boîte de carton et les produits d'emballage protègent l'appareil durant le transport. Ces matériaux sont biodégradables et recyclables.

Débarrassez-vous des emballages, sacs et autres produits en plastique en toute sécurité et gardez-les hors de la portée des enfants. Ces éléments présentent un risque de suffocation.

### **Élimination des sacs à poussière et des filtres**

Les sacs à poussière et les filtres Miele portant le sceau de qualité Miele sont fabriqués avec des matériaux écologiques. Vous pouvez les jeter avec vos ordures ménagères à condition qu'ils ne contiennent pas de substances toxiques ou dangereuses.



## **Miele Limitée**

### **Siège social au Canada**

161 Four Valley Drive

Vaughan, ON L4K 4V8

Téléphone : (800) 643-5381

(905) 660-9936

Télécopieur : (905) 532-2290

[www.miele.ca](http://www.miele.ca)

[professional@miele.ca](mailto:professional@miele.ca) (questions commerciales)

### **Service à la clientèle – Mielecare (Canada)**

Téléphone : (800) 565-6435

(905) 532-2272

Télécopieur : (905) 532-2292

[customer-care@miele.ca](mailto:customer-care@miele.ca) (questions générales et Service technique)

## **Allemagne**

Miele & Cie. KG

Carl-Miele-Straße 29

33332 Gütersloh

---

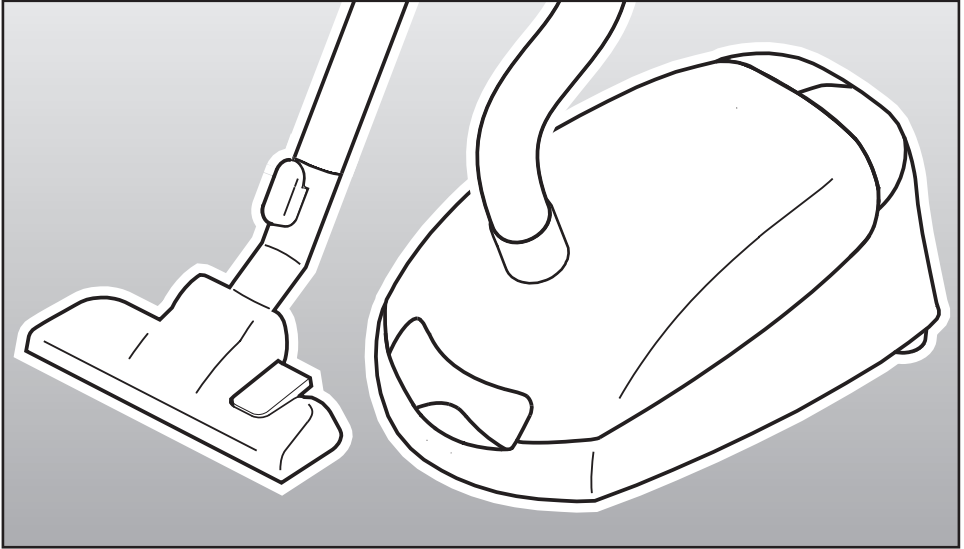
Sous réserve de modifications / Aspirateurs S2 sans accessoires électriques / 4810



Pour obtenir la version la plus récente du guide, consultez le site Web de Miele.

# Miele

## Manual de Uso y Manejo



### Aspiradora

S 2111

S 2121

S 2181

Para prevenir accidentes  
y daños a su máquina,  
lea estas instrucciones  
**antes**  
de su instalación y uso.

**HS12**

es - MX

# Índice

---

<b>INSTRUCCIONES IMPORTANTES DE SEGURIDAD</b> .....	3
<b>Guía para su aspiradora</b> .....	8
<b>Antes de usar la aspiradora</b> .....	10
<b>Uso de los accesorios incluidos</b> .....	13
<b>Uso</b> .....	14
Cable de alimentación .....	14
Encendido y apagado de su aspiradora .....	16
Ajuste de la succión .....	17
Abertura de la válvula de entrada de aire .....	17
<b>Transporte y almacenamiento</b> .....	18
<b>Mantenimiento y cuidado</b> .....	19
Adquisición de bolsas de polvo y filtros nuevos .....	19
¿Cuáles son las bolsas de polvo y los filtros adecuados? .....	19
Cuándo cambiar la bolsa de polvo .....	20
Cómo cambiar la bolsa de polvo .....	21
Cuándo cambiar el filtro del compartimiento de polvo (protección del motor) ..	22
Cambio del filtro del compartimiento de polvo (protección del motor) .....	22
Cuándo debe reemplazarse el filtro extractor Air Clean .....	22
Reemplazo del filtro Air Clean .....	23
Intercambio de filtros de escape .....	23
Cuándo debe reemplazarse el filtro extractor Active HEPA .....	24
Reemplazo del filtro extractor Active HEPA .....	24
Cuándo cambiar el atrapa-fibras .....	25
Cambio del atrapa-fibras .....	25
<b>Limpieza y cuidado</b> .....	26
<b>Preguntas más frecuentes</b> .....	27
<b>Accesorios opcionales</b> .....	28
<b>Servicio técnico / Conexión eléctrica</b> .....	30
<b>Colaboración con la protección medioambiental</b> .....	31

# INSTRUCCIONES IMPORTANTES DE SEGURIDAD

---

Cuando use un aparato eléctrico, las precauciones básicas deben ser seguidas, incluyendo las siguientes:

## LEA LAS INSTRUCCIONES ANTES DE UTILIZAR ESTE APARATO

### **ADVERTENCIA-** **Para reducir el riesgo de fuego, corto circuito o daños:**

#### **Antes del uso**

► Cheque el voltaje que indica su aspiradora antes de conectar el cable de alimentación al contacto eléctrico. Su fuente de poder debe corresponder al voltaje indicado en la etiqueta localizada debajo de la aspiradora. Use solo contactos de corriente alterna AC. Nunca use tomas de corriente directa DC. Si no está seguro del voltaje de su casa, consulte con un electricista calificado. Al conectar su aspiradora a un voltaje mayor que el indicado en estas instrucciones, puede ocasionar daños a la aspiradora o a su persona.

► Para reducir el riesgo de una descarga eléctrica, este aparato cuenta con una clavija polarizada (una terminación es más ancha que la otra). La clavija sólo entrará en un enchufe polarizado. Si no entra, voltee el enchufe. Si todavía no entra, contacte un electricista calificado para instalar el enchufe requerido. No altere la forma de la clavija de ninguna manera.

► Cheque el empaque, la aspiradora y los accesorios para localizar cualquier signo de daños. No utilice un aparato dañado. Una aspiradora dañada puede ser peligrosa.

► ¡No la use con el cable de conexión o la clavija rota! Si la aspiradora no está trabajando como debería, si se ha caído o dañado si ha estado afuera o si se ha sumergido en agua, llévela a su centro de servicio Miele para ser reparada.

► La toma de corriente debe ser instalada con un fusible de 15 A.

► Si el cordón de alimentación está dañado, este debe ser reemplazado por el fabricante o su agente de servicio o por personal calificado para evitar riesgos.

# INSTRUCCIONES IMPORTANTES DE SEGURIDAD

---

## Uso

▶ No se deberá utilizar la aspiradora para aspirar personas o animales.

▶ No la use afuera de la casa o sobre superficies mojadas. Sólo aspirar superficies **secas**.

▶ Use la aspiradora solamente como se describe en este manual. Sólo use accesorios recomendados por Miele.

▶ Este aparato está destinado sólo para uso doméstico.

▶ No permita que su aspiradora sea utilizada como un juguete. Ponga atención extrema si es necesario cuando la usen niños o esté cerca de ellos.

▶ No permita que su aspiradora sea utilizada como un juguete. Ponga atención extrema si es necesario cuando la usen niños o esté cerca de ellos. De otro modo se podría dañar.

▶ Si la bolsa para polvo no se inserta, la tapa del compartimento correspondiente no se cerrará. No fuerce su cierre.

▶ No deje la aspiradora enchufada. Desenchúfela cuando no esté en uso y antes de realizarle un servicio de mantenimiento.

▶ En la parte inferior del tubo de la aspiradora se ha colocado un elemento metálico, a fin de evitar los efectos desagradables de las sobrecargas electrostáticas. Cerciórese de que su mano toca este elemento metálico durante el proceso de aspiración para así anular las sobrecargas electrostáticas.

▶ Esta aspiradora no debe ser utilizada por personas que no poseen habilidades físicas, sensoriales o mentales ni tienen experiencia en la utilización de la máquina, salvo bajo la supervisión o con la indicación de una persona responsable.

▶ Desenrolle totalmente el cable con objeto de ayudar a que la aspiradora disipe el calor.

▶ Esta aspiradora no debe ser utilizada con materiales peligrosos.

▶ ¡No aspire líquidos, suciedad húmeda o basura húmeda! Esto podría afectar considerablemente el funcionamiento y la seguridad eléctrica del aparato. Sólo aspire sobre superficies secas. Espere hasta que las alfombras o tapetes recién lavados estén completamente secos antes de aspirarlos.

▶ ¡No aspire objetos encendidos o aparentemente apagados como son cigarrillos, cerillos o cenizas! La aspiradora podría incendiarse

▶ ¡No aspire el polvo de tóner! El tóner que se utiliza por ejemplo en impresoras y fotocopiadoras puede ser conductor de corriente eléctrica.

# INSTRUCCIONES IMPORTANTES DE SEGURIDAD

---

- ▶ ¡No aspirar sustancias fácilmente inflamables y explosivas (gases y gasolina) ni utilizar la aspiradora en lugares donde estas sustancias podrían estar presentes!
- ▶ No aspire artículos pesados, duros o que tengan orillas filosas. Podrían causar obstrucción y daños al aparato.
- ▶ No jale su aspiradora por el cable, ni utilice el cable para colgar cosas, tampoco cierre puertas sobre el cable, o jale el cable en orillas afiladas o esquinas. No deslice la aspiradora sobre el cable. Mantenga el cable apartado de superficies calientes.
- ▶ ¡No jale el cable para desconectarla! Desconéctela jalando la clavija.
- ▶ No maneje la aspiradora o la clavija con manos mojadas.
- ▶ Mantenga alejados de orificios y partes en movimiento: cable de alimentación, cabello, ropa holgada, dedos y todas las partes del cuerpo.
- ▶ Mantenga todas las aperturas y ranuras libre de polvo, pelusas, cabello para prevenir una reducción del flujo de aire. Si alguna apertura está bloqueada, no ponga en servicio el aparato. No coloque nada en las aberturas de la aspiradora.
- ▶ Para prevenir el riesgo de lesiones mientras aspira, no meta la mano en el interior del brazo giratorio del cepillo de potencia (Powerbrush) cuando esté en movimiento. Existe el peligro de sufrir lesiones.
- ▶ Este aparato está equipado con una bobina para el cable de conexión. Tenga el cable en la mano cuando se está enrollando, no dejándolo azotar.
- ▶ Apague la aspiradora apagando todos los controles antes de desenchufarla.
- ▶ Tenga cuidado cuando aspire escaleras.
- ▶ Los accesorios, cepillos y tubos no deben acercarse a la cabeza al aspirar para prevenir heridas de ojos y orejas.

# INSTRUCCIONES IMPORTANTES DE SEGURIDAD

---

## Uso de accesorios

▶ El enchufe de la aspiradora sólo debe utilizarse con el Miele Powerbrush (cepillo de potencia) específico para este aparato.

▶ Desconecte la aspiradora cuando cambie los accesorios, especialmente el cepillo turbo o eléctrico.

▶ Existe peligro de lesiones. El Miele Powerbrush es un aparato con motor que sólo debe utilizarse con las aspiradoras Miele. Éstas no deben utilizarse con cepillos de potencia de otras marcas.

▶ No es recomendable aspirar directamente con el codo (accesorio) sin el cepillo, ejemplo: si usa sólo el codo, los bordes de paredes o alfombras pueden resultar dañados si a su paso hay algún objeto cortante.

▶ Las bolsas recogepolvo están disponibles y son para ser usadas sólo una vez. No intente reusarlas. Una bolsa llena reducirá la eficiencia de la aspiradora.

▶ Sólo use bolsas de polvo con el sello de calidad Miele y el filtros original Miele y accesorios. Sólo así el fabricante puede garantizar su seguridad.

▶ Siempre apague el aparato antes de conectar o de desconectar la boquilla mecanizada.

## Limpieza, mantenimiento y reparación

▶ Después de utilizar la aspiradora y antes de realizar cualquier trabajo de limpieza o mantenimiento del aparato, desconecte la aspiradora desenchufando la clavija. Retire el conector de la salida eléctrica.

▶ Límpiela sólo con un trapo seco o ligeramente húmedo después de haberla desconectado. No sumerja nunca la aspiradora en agua. Existe el riesgo de recibir una descarga eléctrica si el aparato se humedece.

▶ Controle frecuentemente el indicador de cambio de bolsa desechable para polvo y los filtros. Para mejores resultados, cambie la bolsa desechable para polvo y filtros cuando sea necesario según las indicaciones en este manual. Para garantizar la seguridad, sólo use bolsas desechables, filtros y accesorios Miele. El control automático de temperatura apagará la aspiradora en caso de sobrecalentamiento, véase la "guía para solucionar problemas."

▶ Repárela sólo cuando el trabajo lo realice un especialista autorizado por MIELE de acuerdo con las reglas de seguridad de su localidad. Las reparaciones no autorizadas podrían ocasionar lesiones o dañar el aparato.



# INSTRUCCIONES IMPORTANTES DE SEGURIDAD

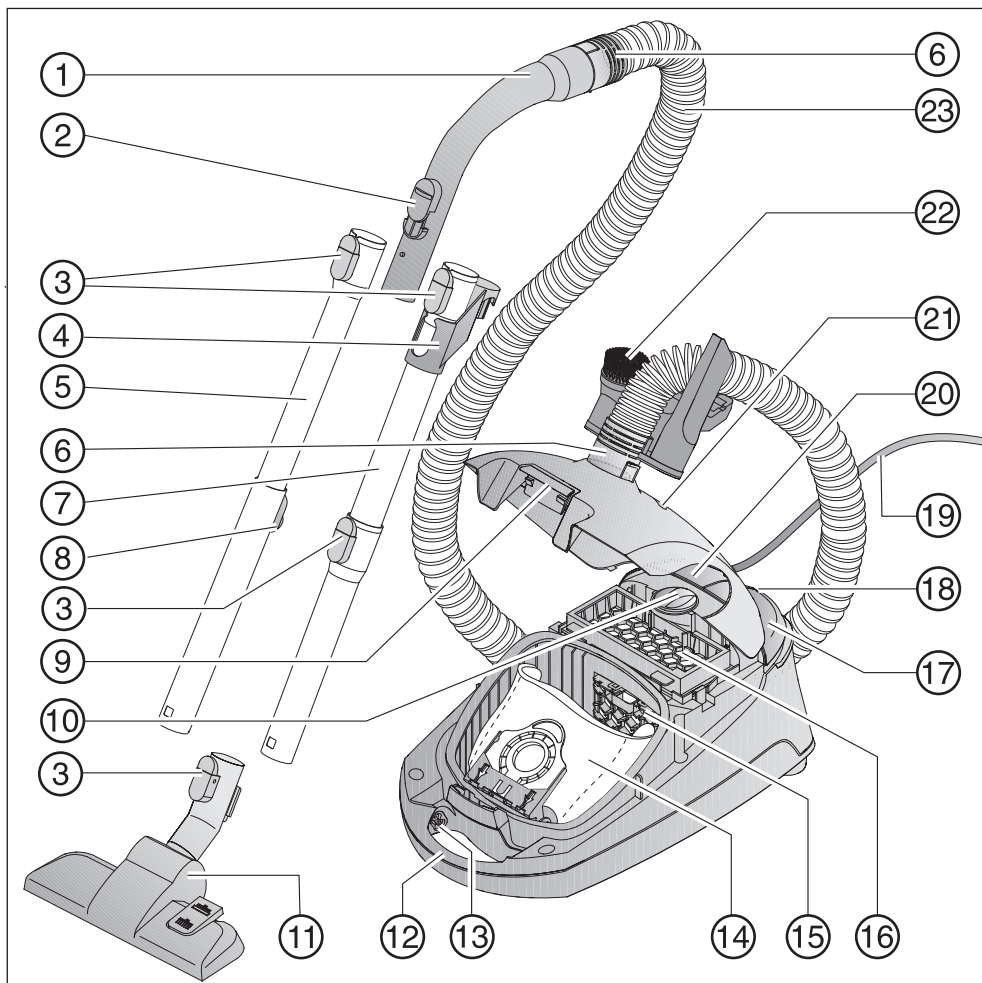
---

## Disposición

▶ Antes de desechar su vieja aspiradora, por favor corte el cable de alimentación y enróllelo. Asegúrese de que su aparato no presenta daño alguno a los niños mientras está almacenado para su desecho.

## GUARDE ESTAS INSTRUCCIONES

# Guía para su aspiradora



- ① Mango
- ② Válvula reguladora de aire
- ③ Botón de bloqueo
- ④ Pieza de conexión para almacenamiento \*
- ⑤ Mango telescópico\*
- ⑥ Conector de la manguera
- ⑦ Tubo EasyLock (bloqueo fácil) \*
- ⑧ Botón de liberación del mango telescópico \*
- ⑨ Liberación de la tapa del compartimiento de polvo
- ⑩ Selector de potencia de succión
- ⑪ Herramienta para piso \*
- ⑫ Asa de transporte
- ⑬ Salida del cepillo
- ⑭ Bolsa de polvo
- ⑮ Filtro del compartimiento de polvo (protección del motor)
- ⑯ Filtro de escape
- ⑰ Pedal interruptor de encendido y apagado ①
- ⑱ Aditamento de sujeción Park-System
- ⑲ Cable de alimentación
- ⑳ Pedal interruptor para rebobinado del cable
- ㉑ Indicador de cambio de la bolsa de polvo
- ㉒ Sujetador accesorio con tres herramientas
- ㉓ Manguera de succión

Las características marcadas \* dependen del modelo y pueden estar o no disponibles en su modelo.

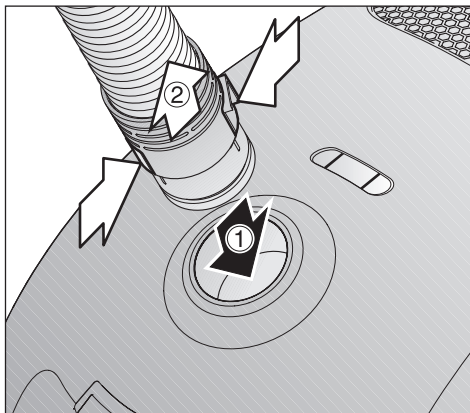
Los accesorios opcionales están disponibles a través de un distribuidor Miele o del sitio web de Miele.

# Antes de usar la aspiradora

## Conectar el orificio de succión

①

- Inserte el conector de la manguera en el orificio de succión hasta que se escuche un clic, lo cual indica que quedó en su lugar.



## Remueva el orificio de succión

②

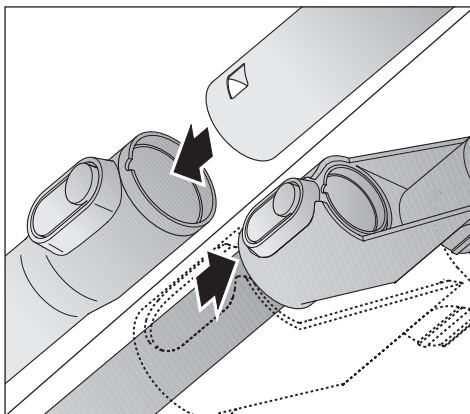
- Oprima los botones de desenganche ubicados a ambos lados del conector, y con un movimiento ascendente saque la manguera del orificio.

Dependiendo del modelo de aspiradora, cada uno incluye uno de los siguientes tubos (vea "Guía para su aspiradora").

- EasyLock tubo
- Tubo telescópico

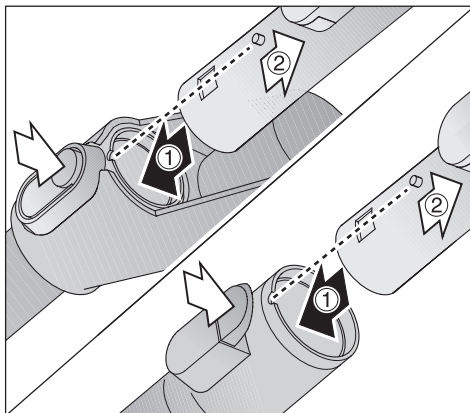
## Conexión del tubo EasyLock

- Inserte el tubo que cuenta con la pieza de conexión, dentro del segundo tubo. Gire hasta que se escuche un clic, lo cual indica que quedaron encajados.
- Empuje la pieza de conexión de modo ascendente hasta que se escuche un clic, lo cual indica que quedó en su lugar.



## Conecte el mango y el tubo ①

- Inserte el mango al tubo hasta que se ajuste en su posición. Use las guías internas para dirigir la inserción.



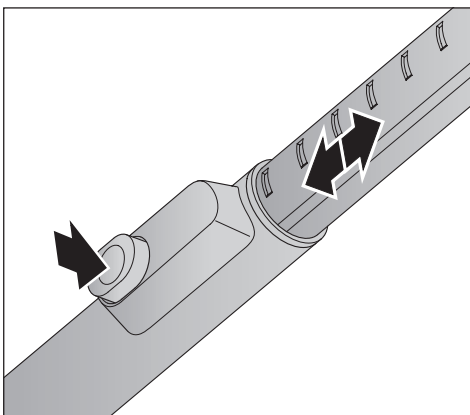
## Desenganche del mango ②

- Oprima el botón de desenganche y bloqueo, y jale la pieza manual apartándola del tubo.

## Ajuste del mango telescópico

Una sección del mango telescópico se adapta dentro de la otra y puede ajustarse a su altura a fin de lograr una limpieza más cómoda.

- Oprima el botón de liberación del mango telescópico (véase la flecha) para liberar los tubos y ajustar a la altura requerida.



# Antes de usar la aspiradora

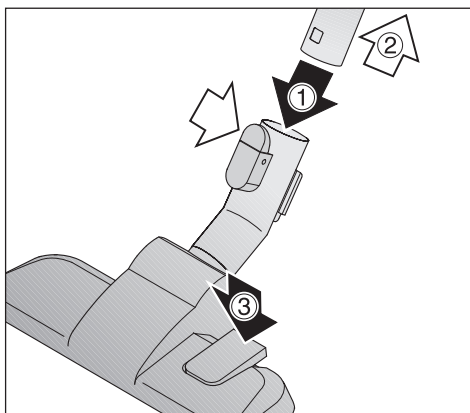
## Uso del cepillo para pisos estándar

Observe las instrucciones de limpieza del fabricante del piso.

El cepillo para pisos es adecuado para limpiar alfombras, tapetes, escaleras alfombradas y superficies duras que no son susceptibles de rayaduras.



## Conexión del cepillo para pisos

- Coloque el cepillo para pisos dentro **①** de la manguera de succión y gire hasta que se escuche un clic, lo cual indica que quedó en su lugar.
- Para separar las piezas, **②** oprima el botón de desenganche y bloqueo, y apártelas.





## Ajuste del cepillo para pisos **③**

Aspirado de alfombras y tapetes:

- Oprima el pedal interruptor con el símbolo  o .

Aspirado de pisos delicados:

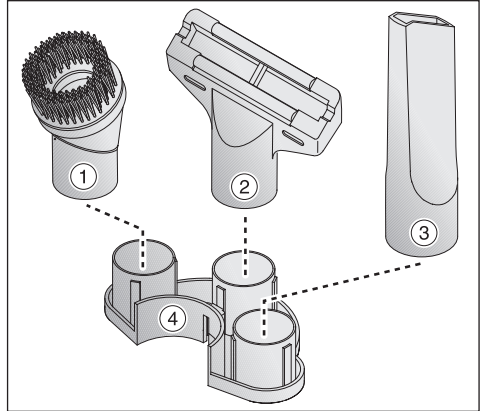
- Oprima el pedal interruptor con el símbolo  o .

## Uso de los accesorios incluidos

Los siguientes accesorios están incluidos:

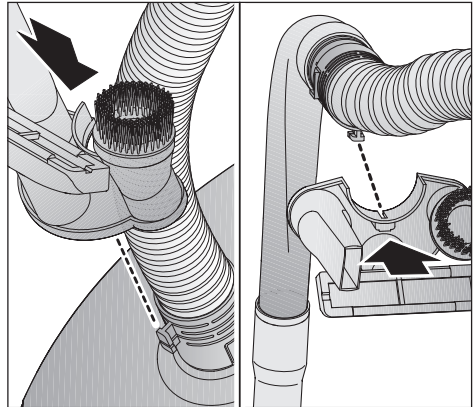
- ① Cepillo para polvo con cerdas naturales
- ② Aditamento para tapicería
- ③ Tubo rinconero
- ④ Sujetador para los respectivos accesorios incluidos

Disponga los accesorios según se indica.



### Sujetador de accesorios

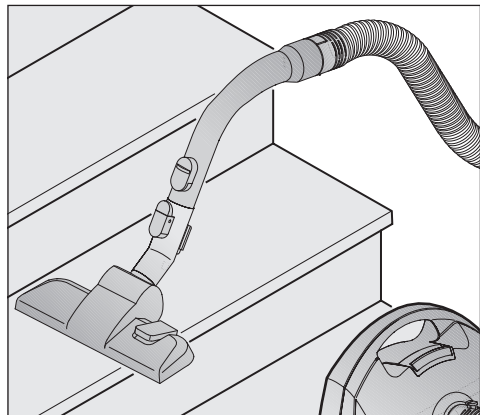
- Oprima el sujetador de accesorios, bien sea por encima del conector de la manguera o por debajo de la manguera de succión. Asegúrese de que quede en su lugar, lo cual se indica al escucharse un clic.




### Cepillo para pisos estándar

El cepillo estándar para pisos se puede utilizar para limpieza normal de alfombras, tapetes, superficies duras, escaleras alfombradas, etc. que no son susceptibles de rayaduras.

Por razones de seguridad, al aspirar escaleras es mejor comenzar al pie de las mismas y avanzar hacia arriba.



## Cable de alimentación

 Desenrolle el cable por completo para ayudar a disipar el calentamiento de la aspiradora.

No jale su aspiradora por el cable, ni utilice el cable para colgar cosas, tampoco cierre puertas sobre el cable, o jale el cable en orillas afiladas o esquinas. No deslice la aspiradora sobre el cable. Mantenga el cable apartado de superficies calientes.

¡No jale el cable para desconectarla! Desconéctela jalando la clavija.

Este aparato está equipado con una bobina para el cable de conexión. Tenga el cable en la mano cuando se está enrollando, no dejándolo azotar.



## Desenrollado

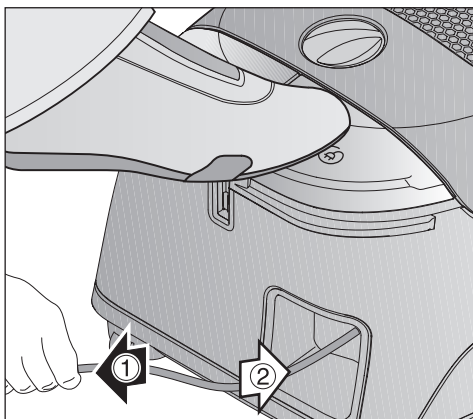
- Sostenga el conector y jale ① el cable de alimentación.

⚠ Con el propósito de reducir el riesgo de choque eléctrico, la aspiradora cuenta con un conector polarizado (una clavija es más ancha que la otra). Este conector se adapta a una salida eléctrica polarizada de una sola manera. Si el conector no entra por completo en la salida, inviértalo. Si aún no se conecta, comuníquese con un electricista calificado. No modifique de ninguna manera el conector.

De lo contrario puede existir el riesgo de sobrecalentamiento y daños.


## Rebobinado

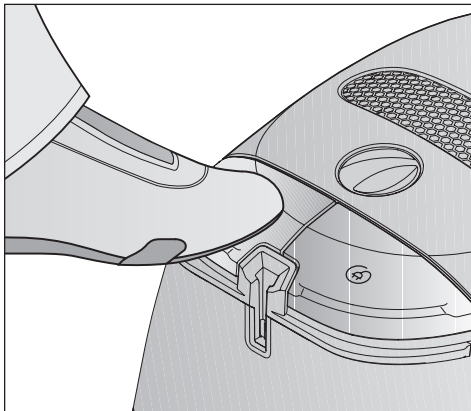
- Desconecte la aspiradora de la salida eléctrica.
- Oprima el interruptor de rebobinado - el cable de alimentación se rebobinará de manera automática ②. Sujete el conector de tal manera que no se sacuda por todas partes al momento de rebobinarse.



## Encendido y apagado de su aspiradora

- Presione el interruptor de encendido/apagado.







 Con el propósito de evitar la generación de electricidad estática, su mano debe tocar la incrustación metálica en la parte inferior del mango de la aspiradora. Asegúrese de tocar de manera continua esta incrustación cuando aspire polvo fino, harina o aserrín, puesto que es probable que estos materiales induzcan una descarga estática. A fin de prevenir aún más la descarga estática durante la limpieza, jale con una mano toda la aspiradora por la manguera mientras continúa sujetando el mango con la otra mano.

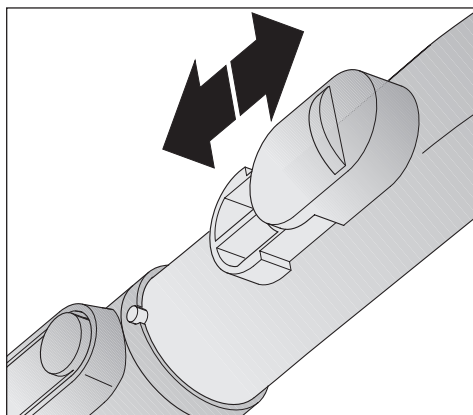
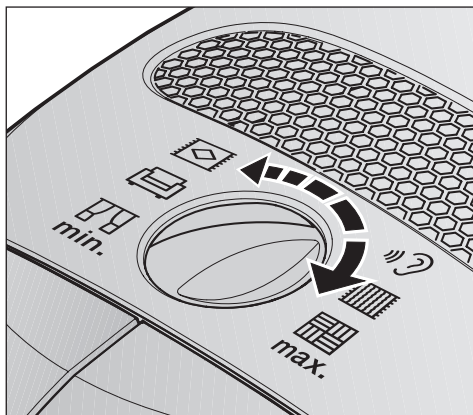


## Ajuste de la succión

La potencia de succión puede ajustarse dependiendo del tipo de piso. Si se reduce la potencia de succión, se puede ejercer con mayor facilidad presión al cepillo para piso.

Los símbolos en los controles indican el tipo de uso para el cual son idóneos los ajustes.

-  cortinas, telas ligeras
  -  tapicería, cojines
  -  tapetes, alfombras normales y continuas de pelo grueso
  -  aspirado diario con ahorro de energía y bajo nivel de ruido
  -  alfombras tejidas con manchas ligeras
  -  piso con textura dura y para limpieza intensiva de tapetes
- Mueva el selector giratorio al programa de potencia de succión deseado.

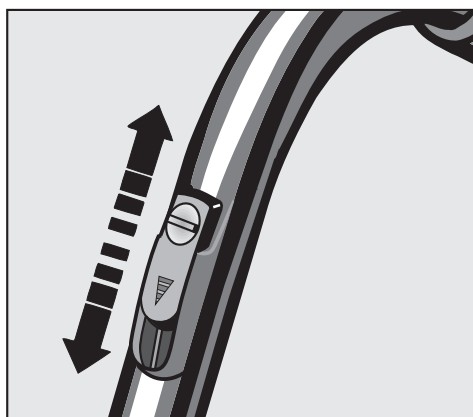


## Abertura de la válvula de entrada de aire

La válvula de entrada de aire está diseñada para ofrecer una reducción rápida y conveniente de la potencia de succión, por ejemplo, cuando se desliza de un tapete a un área con alfombra.

- Abra lo suficiente la válvula de entrada de aire para reducir la potencia.

La abertura de la válvula de entrada de aire reduce la potencia al aditamento que se utiliza.



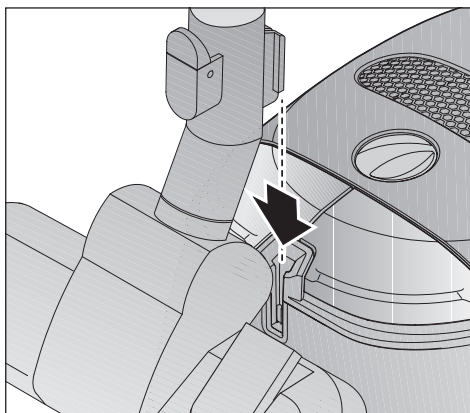
# Transporte y almacenamiento

## Park-System

(No puede usarse con el cepillo de potencia Powerbrush SEB 228 / EB03)

El sistema de soporte Park permite enganchar el tubo y el cepillo para pisos a la aspiradora durante pausas breves.

- Inserte el broche inferior en el cepillo para piso dentro de la ranura que se encuentra en el extremo de la aspiradora vista desde arriba.



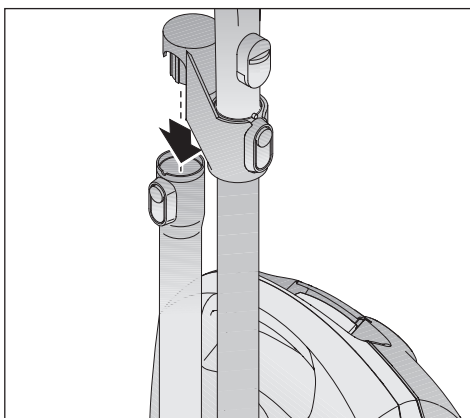
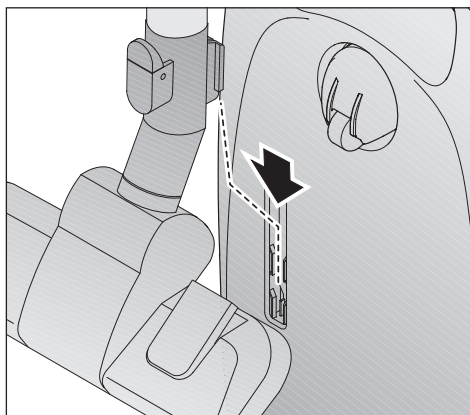
## Transporte y almacenamiento


- A fin de transportar y almacenar con mayor facilidad la aspiradora, colóquela en posición vertical.
- De modo descendente, inserte el aditamento de sujeción del cepillo para pisos en el interior de la ranura de sujeción (esto no se puede hacer con el cepillo de potencia Powerbrush SEB 228 / EB03).

Si su modelo incluye un mango telescópico, para ahorrar espacio, contraiga por completo los tubos en dicho mango.

Si su modelo incluye un tubo EasyLock, con el fin de ahorrar espacio:

- Oprima el botón de desenganche y bloqueo en el tubo inferior. Los dos tubos se separan.
- Coloque la pieza de conexión del tubo superior dentro del tubo inferior.




 Apague y desconecte la aspiradora antes de realizar cualquier trabajo de mantenimiento.

El sistema de filtros de Miele consta de estos tres componentes.

- Bolsa de polvo
- Filtro de escape
- Filtro del compartimiento de polvo

Cada uno de estos filtros debe reemplazarse con periodicidad a fin de mantener la operación eficiente de la aspiradora.

Utilice únicamente bolsas para polvo, filtros y accesorios que lleven el logo tipo "Original Miele". Sólo así la potencia de succión de la aspiradora podrá alcanzar su potencial óptimo y producirá los mejores resultados de limpieza.

 El uso de bolsas para el polvo hechas de papel o de materiales similares, o de bolsas con una placa de retención de cartón, puede producir graves daños a la aspiradora, lo cual podría anular la garantía. Esto mismo ocurre con el uso de bolsas para el polvo que no llevan el logotipo "Original Miele".

## Adquisición de bolsas de polvo y filtros nuevos

Las bolsas de polvo y los filtros de reemplazo pueden adquirirse con su distribuidor local de aspiradoras Miele o directamente en Miele.

## ¿Cuáles son las bolsas de polvo y los filtros adecuados?

Esta aspiradora utiliza bolsas para el polvo originales de Miele, tipo **G/N** y filtros originales de Miele. El logotipo "Original Miele" aparecerá en el paquete de presentación o directamente en la bolsa para el polvo.

**ORIGINAL**  
**Miele**



Con cada caja de bolsa de polvo Miele, se suministra un filtro de escape "Air Clean" y un filtro para el compartimiento de polvo. Si desea adquirir por separado filtros de escape o filtros para compartimiento de polvo, anote el número de modelo que se encuentra en la placa de información localizada en la parte inferior del aparato.

Puede reemplazar el filtro de escape suministrado con la aspiradora por alguno de los otros tipos de filtros (véase "Cambio de filtros de escape").

# Mantenimiento y cuidado

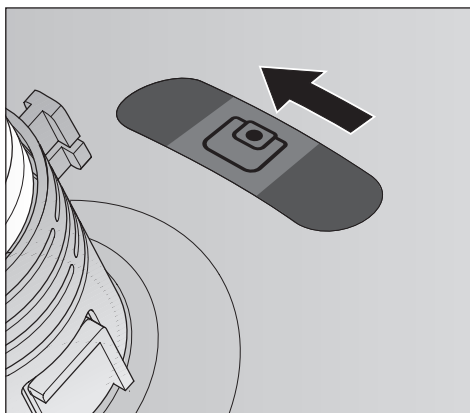
## Cuándo cambiar la bolsa de polvo

Sustituya la bolsa de polvo cuando así lo muestre el indicador de cambio de bolsa de polvo mediante el cambio de color del marcador.

Las bolsas de aire Miele son desechables y sólo pueden usarse una vez. No intente reutilizarlas.

## Revisión del indicador de cambio de bolsa de polvo

- Sujete a la aspiradora el cepillo para piso. Realice esta prueba sólo con este aditamento, ya que otros pueden afectar la función del indicador.
- Encienda la aspiradora y seleccione el ajuste de potencia más alto.
- Levante ligeramente del piso el cepillo para piso. Si el marcador llena por completo la ventana del indicador, entonces requiere cambiarla.



## Cómo funciona el indicador de cambio de bolsa de polvo

El indicador de cambio de bolsa de polvo está diseñado para indicar cuando la bolsa está llena de polvo doméstico común y mide la cantidad de flujo de aire a través de la bolsa de polvo. El polvo doméstico normal consiste en una mezcla de polvo, cabellos, pelusa de tapetes, fibras, arena, etcétera.

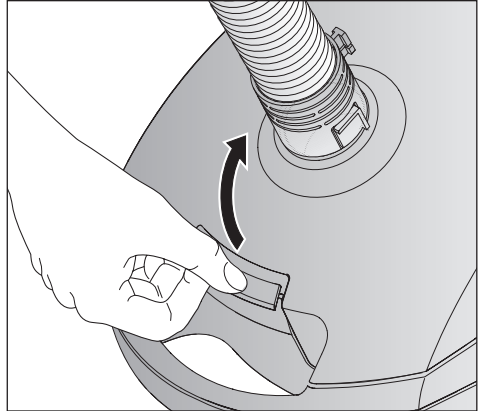
Sin embargo, si se aspira polvo muy fino, como polvo proveniente de una perforación, arena, yeso o harina, los poros de la bolsa de aire pueden obturarse. El marcador indicará que la bolsa está "llena" aún cuando no lo esté. Ésta debe cambiarse ya que la potencia de succión se reduce en gran medida.

Si la bolsa contiene pelos de mascota, cabellos, pelusa de tapetes, etc., es probable que el indicador no registre la capacidad de "lleno". Esto se debe a que el flujo de aire de la bolsa de polvo aún está lo suficientemente alto para no activar el marcador a fin de demostrar la capacidad máxima. En este caso, la bolsa de polvo también debe cambiarse.

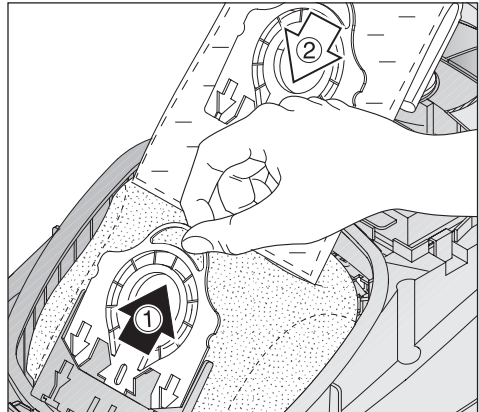
### Cómo cambiar la bolsa de polvo

- Levante la tapa del compartimiento de polvo y levántela hasta que se ajuste en su posición.


La bolsa de polvo posee una tapa que se cierra automáticamente para evitar que el polvo salga al quitar la bolsa.



- Sujete el collar desde la agarradera y jálalo ① hacia afuera hasta retirarlo del sujetador de la bolsa.



- Inserte ② en el portabolsas la nueva bolsa para polvo hasta que haga tope. No la extienda al sacarla de la caja.
- Extienda la bolsa para polvo en el compartimiento del polvo.
- Cierre la tapa del compartimiento de polvo hasta que se ajuste en su posición. Tenga cuidado de no atascar la bolsa en la tapa.

 Un obstaculizador de operación vacía bloquea la tapa del compartimiento de polvo para que no se cierre si no se ha insertado ninguna bolsa de polvo. No ejerza fuerza para cerrarla.

## Mantenimiento y cuidado

### Cuándo cambiar el filtro del compartimiento de polvo (protección del motor)

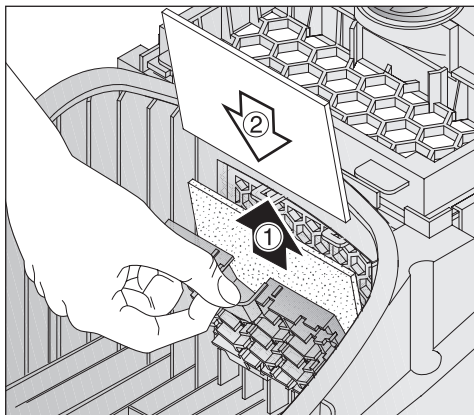
Reemplace el filtro del compartimiento de polvo cada vez que empiece una nueva caja de bolsas para polvo. Un filtro de compartimiento de polvo se suministra en cada caja de bolsas Miele.

### Cambio del filtro del compartimiento de polvo (protección del motor)

- Abra la tapa del compartimiento de polvo.
- Abra el contenedor del filtro, retire el viejo filtro y reemplácelo con uno nuevo.
- Cierre el marco del filtro.
- Cierre la tapa del compartimiento de polvo firmemente.

### Cuándo debe reemplazarse el filtro extractor Air Clean

El filtro se debe reemplazar cada vez que se abre una caja nueva de bolsas para polvo de Miele. Cada caja de bolsas para polvo de Miele incluye un filtro extractor nuevo Air Clean.

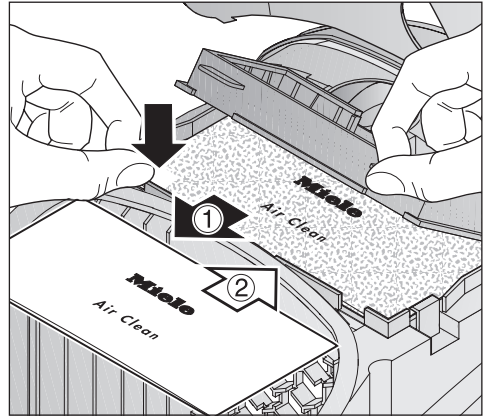




### Reemplazo del filtro Air Clean

No utilice más de un filtro a la vez.

- Abra la tapa del compartimiento de polvo.
- OAbra el contenedor del filtro y retire el filtro usado por la esquina limpia (vea la flecha) ①.
- Inserte el nuevo filtro ②.
- Cierre el contenedor del filtro.
- Cierre la tapa del compartimiento de polvo firmemente.



### Intercambio de filtros de escape

Según el modelo, también puede incluirse un filtro Active HEPA (filtro de partículas de aire de alta eficiencia), el cual puede emplearse en lugar del filtro extractor Air Clean estándar.

Para usar el filtro Active HEPA debe quitarse el filtro Air Clean junto a su marco.

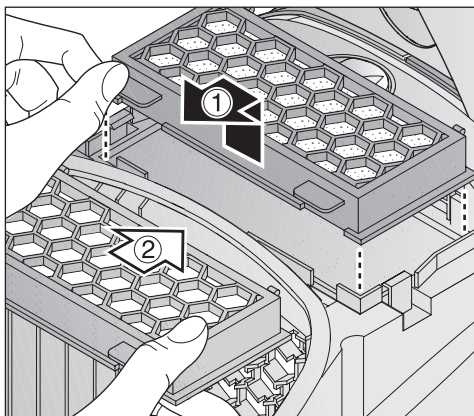
## Mantenimiento y cuidado

### Cuándo debe reemplazarse el filtro extractor Active HEPA

Cambie el filtro aproximadamente una vez al año. Puede anotar la fecha directamente en la superficie del filtro extractor.

### Reemplazo del filtro extractor Active HEPA

- Abra la tapa del compartimiento del polvo.
- Retire el filtro extractor usado ①.
- Inserte un filtro nuevo ②.
- Cierre la tapa del compartimiento del polvo.



## Cuándo cambiar el atrapa-fibras

El atrapa-fibras del cepillo para pisos debe reemplazarse en cuanto presente señales de desgaste.

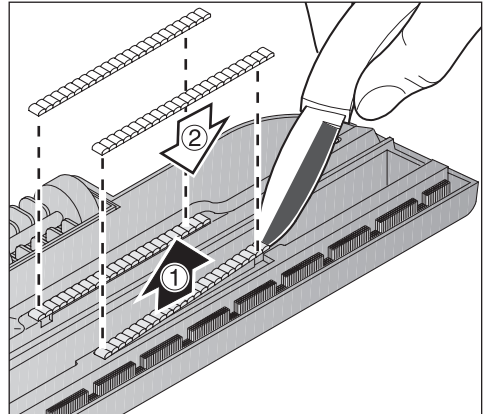
## Cambio del atrapa-fibras

Según el modelo, su aspiradora cuenta con uno de los siguientes cabezales para pisos.

### Cepillo para pisos SBD 350-3


- Con un cuchillo u objeto similar retire (levantándolo) el atrapa-fibras de la ranura situada junto la marca roja en el lateral ①.
- Inserte el nuevo atrapa-fibras en las ranuras ②.

Las refacciones están disponibles con su distribuidor de aspiradoras Miele o directamente con Miele.




# Limpieza y cuidado

---

 Apague la aspiradora y desconéctela de la salida eléctrica antes de realizar cualquier trabajo de mantenimiento.

## Aspiradora y accesorios


La aspiradora y otros accesorios de plástico pueden limpiarse con una tela húmeda o con limpiador apropiado para plástico.


 No use limpiadores abrasivos para vidrio o de uso general, ya que dañarán la superficie.

## Compartimiento de polvo

Si es necesario, el compartimiento de polvo puede limpiarse usando tela **seca**, cepillo para polvo o una segunda aspiradora para eliminar cualquier rastro de polvo.

Cheque el indicador de cambio de bolsa de polvo e inspeccione con regularidad todos los filtros. Límpielos o reemplácelos cuando sea necesario de acuerdo con estas instrucciones de operación.

 No sumerja la aspiradora en agua. Si ingresa humedad en el aparato, existe el riesgo de un choque eléctrico.

 Apague y desconecte la aspiradora antes de realizar cualquier trabajo de mantenimiento.

### **¿Qué pasa si la aspiradora se apaga automáticamente o se enciende alguna luz de advertencia?**

La aspiradora se ha sobrecargado. El limitador de temperatura la apaga de manera automática.

Esto puede suceder si, por ejemplo, hay artículos de gran tamaño que bloquean el tubo de succión o cuando la bolsa del filtro está llena o contiene partículas de polvo muy fino. El filtro de escape o el filtro del compartimiento de polvo muy sucios también pueden ser origen del sobrecalentamiento. Apáguela y retire el conector de la salida eléctrica.

Revise cualquier bloqueo y deje reposar la aspiradora durante 30 minutos.

## Accesorios opcionales

### Cepillo eléctrico

Siga las instrucciones de limpieza del fabricante del piso.

El cepillo Powerbrush sólo puede usarse con los modelos que poseen el orificio correspondiente; vea "Guía para su aspiradora".

#### **Cepillo eléctrico SEB 228 (EB03) / SEB 217-3 (EB02)**

El cepillo Powerbrush es especialmente apropiado para limpiar y restablecer las fibras aplastadas de alfombras que van de pared a pared, y también tapetes sujetos a gran desgaste, especialmente en áreas de mucho tránsito.

El cepillo Powerbrush también puede usarse en pisos con texturas lisas.

Para poder emplear el cepillo Powerbrush con esta aspiradora, también necesitará:

- Electro Tubo telescópico SET 220
- Electro Manguera de succión SES 116.



### **Turbo cepillo Comfort - 3**

El cepillo Turbobrush fue diseñado para limpiar alfombras de fibras cortas y medianas. Su mecanismo se acciona mediante el poder de succión de la aspiradora. Además de partículas de polvo, aspira también fibras, cabellos, pelusas, etc., difíciles de quitar.

Siga las instrucciones de limpieza del fabricante del piso.

### **Turbocepillo de mano - Turbo Cepillo Mini**

El cepillo Turbobrush de mano está diseñado para el aspirado de tapicería, colchones, asientos de automóviles, escaleras con alfombra y otras áreas inaccesibles por medio del cepillo estándar Turbobrush.

### **Cepillo para pisos duros -3**

Se sugiere para aspirar pisos duros y firmes, por ejemplo, losetas y pisos de piedra.

### **Cepillo para Parquett-3**

Cepillo especial con cerdas naturales diseñado para la limpieza de pisos tipo parquet y laminados, en especial los susceptibles a rayones.

Si fuese necesario, es posible limpiar el cepillo para pisos parqué con la aspiradora, a través de la boquilla para rendijas.

### **Cepillo para Parquet Twister**

Para la limpieza de pisos de superficie dura. Idóneo para limpiar nichos y espacios reducidos.

### **Cepillo para Parquet Twister XL**

Este cepillo para piso es 90 mm (3 1/2") más ancho que el cepillo Parquet Twister y cuenta con un empalme giratorio. Ello lo convierte en el cepillo ideal para la limpieza de áreas extensas.

# Servicio técnico / Conexión eléctrica

---

## Servicio posterior a la venta

En caso de algún problema que no pueda reparar usted mismo, comuníquese con el departamento de servicio de Miele.

**(MX)**: +52 (55) 8503 9870 ext. 106-108  
servicio@miele.com.mx

- Mencione el tipo de modelo de su aparato.

Esta información se puede encontrar en la placa de datos ubicada en la base de la aspiradora.

## Conexión eléctrica

Conecte la aspiradora solamente a un enchufe de 127 V~ 60 Hz 1 100 W 10 A (fusible de enchufe 15 A).



## **Eliminación del embalaje de transporte**

La caja de cartón y el resto de los materiales contenidos, protegen su aparato durante su embarque. Estos, han sido diseñados para ser biodegradables y reciclables.

Asegúrese de poner en un lugar especial, cualquier material plástico, bolsas, etc. siempre y cuando estén fuera del alcance de los niños. Estos materiales son peligrosos, ya que hay peligro de asfixia.

## **Desechar la bolsa para polvo y los diversos filtros**

Las bolsas originales de Miele y sus filtros están hechos de materiales que no dañan el medio ambiente. Estos pueden ser desechados junto con la basura normal siempre y cuando la aspiradora haya sido utilizada para polvo doméstico.







**Miele, S. A. de C. V.**

(German Centre; Local 0-4-2)

Av. Santa Fe # 170 PB

Col. Lomas de Santa Fe

C. P. 01210, México D. F.

Servicio post venta:

Tel.: +52 (55) 85 03 98 70/73

Fax: +52 (55) 85 03 98 74

Correo electronico: [servicio@miele.com.mx](mailto:servicio@miele.com.mx)

[www.miele.com.mx](http://www.miele.com.mx)

**Miele & Cie. KG**

Carl-Miele-Straße 29

33332 Gütersloh

Alemania

