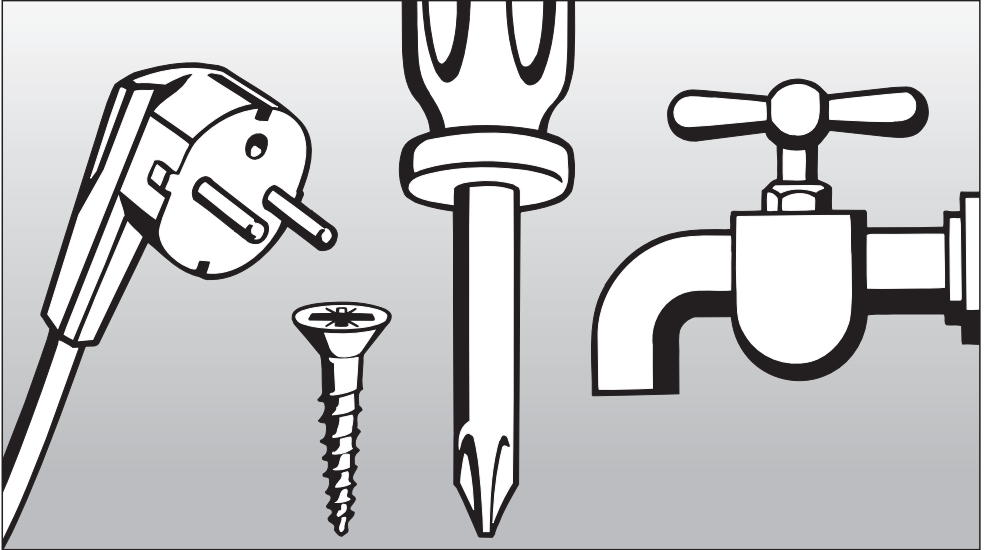


Miele

TOUCHTRONIC



Installation instructions for the T 9820 Gas Dryer

The T 9820 gas dryer is only approved for use in the USA and Canada. It is not approved for use in Mexico.

To prevent accidents
and machine damage
read these instructions

before
installation or use.

en - US, CA

M.-Nr. 07 268 180

 **WARNING**

For your safety the information in this manual must be followed to minimize the risk of fire or explosion or to prevent property damage, personal injury or death.

- **Do not store or use gasoline or other flammable vapors and liquids in the vicinity of this or any other appliance.**
- **WHAT TO DO IF YOU SMELL GAS**
 - **Do not try to light any appliance.**
 - **Do not touch any electrical switch.**
 - **Do not use any phone in your building.**
 - **Clear the room, building or area of all occupants.**
 - **Immediately call your gas supplier from a neighbor's phone. Follow the gas supplier's instructions.**
 - **If you cannot reach your gas supplier, call the fire department.**
- **Installation and service must be performed by a qualified installer, service agency or the gas supplier.
(In Massachusetts a licensed plumber / gas fitter.)**

Contents

IMPORTANT SAFETY INSTRUCTIONS	5
Installation	7
Stand	7
Installation site	9
Installation	11
Transporting the dryer to the installation site.	11
Level the dryer.	11
Electrical connection	13
Gas connection	14
Ducting	18
How to calculate the effective duct length	19
Exhaust connection with a flexible exhaust hose or rigid pipe	22
Direct wall connection	24
Caring for the environment	25

IMPORTANT SAFETY INSTRUCTIONS

Installation and connection

When using your gas appliance follow basic safety precautions including the following:

▶ It is **essential** to read all instructions before installing the appliance.

▶ Installation, repair and maintenance work should be performed by a qualified installer, service agency or the gas supplier. Work by unqualified persons could be dangerous and could void the warranty.

▶ **In Massachusetts:**

This dryer must be installed by a licensed plumber or gas fitter.

▶ Before installation, disconnect the tumble dryer from the electrical supply by shutting off the power main, unplugging the power cord or tripping the circuit breaker. Do not restore power until the installation is complete.

▶ **GROUNDING INSTRUCTIONS**

This appliance must be grounded. In the event of malfunction or breakdown, grounding will reduce the risk of electric shock by providing a path of least resistance for electric current. This appliance is equipped with a cord having an equipment grounding conductor and a grounding plug. Only place the plug in an appropriate outlet that is properly installed and grounded in accordance with all local codes and ordinances.

▶ **WARNING** – Improper connection of the equipment grounding conductor can result in a risk of electric shock. Check with a qualified electrician if you are in doubt as to whether the appliance is properly grounded.

▶ Do not modify the plug provided with the appliance! If it will not fit the outlet, have a proper outlet installed by a qualified electrician.

▶ Do not use an extension cord to connect this appliance to the power supply. Extension cords do not guarantee the required safety of the appliance (e.g. danger of overheating).

▶ This dryer must be vented outdoors to reduce the risk of fire. Be sure to observe local building codes.

▶ Use flexible or rigid metal pipe for venting. Non-metallic flexible hose should not be used, it is a potential fire hazard.

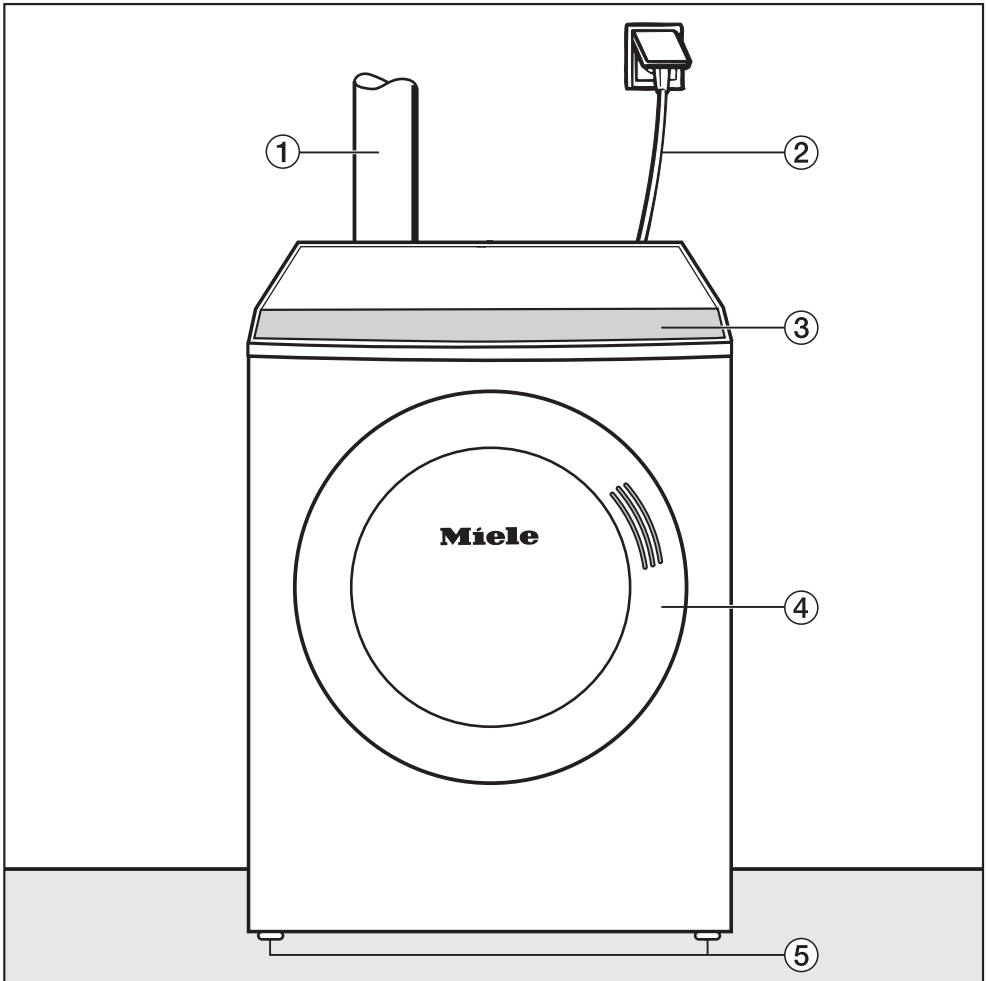
IMPORTANT SAFETY INSTRUCTIONS

- ▶ The dryer exhaust must not be connected to a chimney, fireplace ducting, a combustion appliance vent flue, a wall, ceiling or concealed space of a building.
- ▶ Do not install the machine in rooms where temperatures below freezing may occur.
- ▶ Proper installation is the responsibility of the installer.
- ▶ Product failure due to improper installation is not covered under the Warranty.
- ▶ Gas dryers are not approved for mobile home installation.
- ▶ If there is any doubt concerning installation, contact Miele's Technical Service Department.

USA 1-800-999-1360
techserv@mieleusa.com

CDN 1-800-565-6435
service@miele.ca

Front view



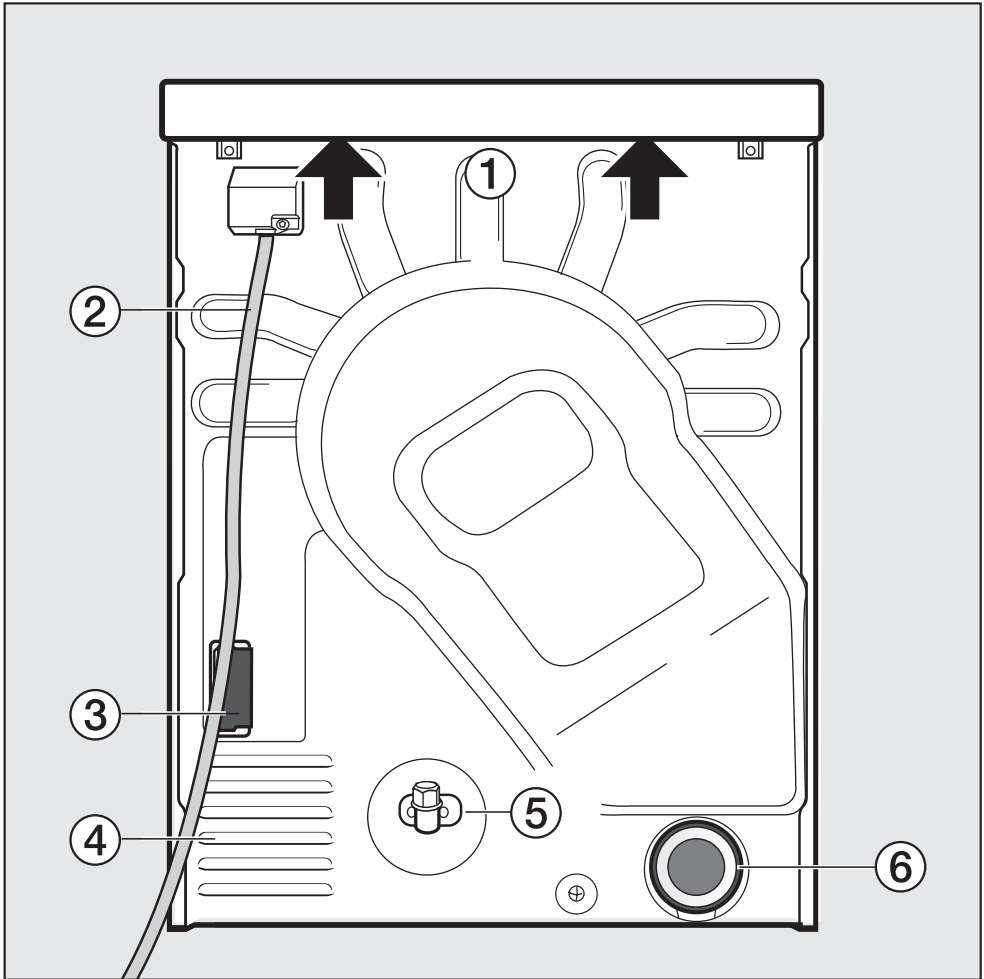
- ① Exhaust connection
- ② Power cord with plug
- ③ Control panel
- ④ Door
- ⑤ Four height adjustable screw feet

Stand

A dryer stand, with drawer, can be purchased as an optional accessory.

Installation

Rear



- ① Handle for transportation (arrows)
- ② Power cord with plug
- ③ Slot for module
- ④ Air intake
- ⑤ Gas connection
- ⑥ Vent connection with restriction insert


WARNING

Do not remove the restriction insert in the vent opening. It may result in poor drying results, damage to the laundry and higher Carbon monoxide emissions.

 **WARNING:**

Do not install the dryer:

- outdoors
- in an environment with dripping water or weather
- near flammable materials
- in rooms which may contain gas or other fuels
- in closets with solid doors
- with other fuel-burning appliances in the same closet
- in a location where its door could conflict with room doors.
- next to a refrigerator
- under a countertop
- on top of a washer.

 **The National Fuel Gas Code restricts installations of gas appliances in garages. They must be 18 inches off the ground and protected by a barrier from vehicles.**

Installation site

Confined space installation

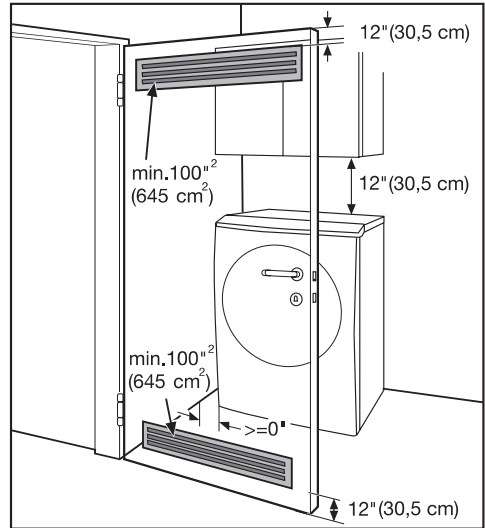
- When installed in any space with less than 122 square feet, minimum clearances around the dryer must be adhered to for proper ventilation and vents for make up air must be installed.
- Do not install any other fuel-burning appliance in the same space as the dryer.

Confined door openings

Any doors limiting circulation must be louvered or otherwise ventilated.

A **minimum of 200 square inches** (1,290 cm²) of opening is required. It must be equally divided within 12" (30.5 cm) from the top and bottom of the door.

Minimum installation clearance



Sides: 0" (0 cm)

Top: 12" (30.5 cm)

Rear: 0" (0 cm) (as close to wall as gas connection and venting allows)

Front to door: 2" (5 cm)

Make sure the dryer door can open completely once installed.

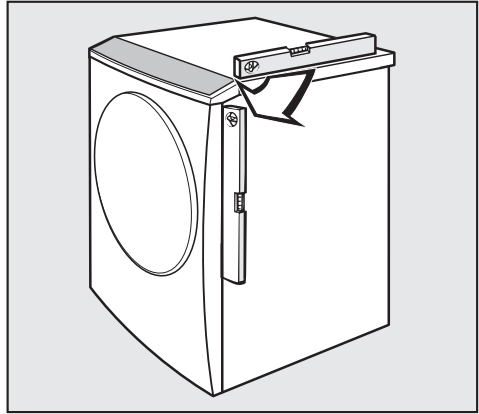
Exhaust duct clearance to combustible material: 2" (5 cm)

Transporting the dryer to the installation site

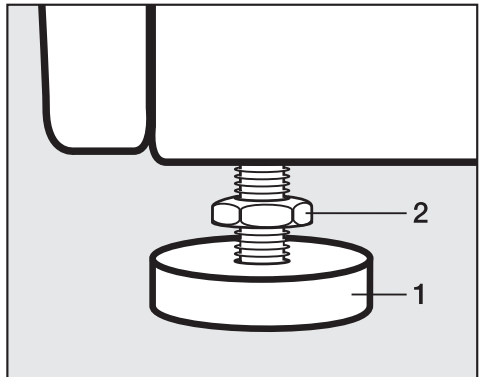
The rear of the lid has a handle for transportation.

- Use the front dryer feet and the rear of the lid to move the dryer to the installation site.


Level the dryer



The dryer must be level to ensure safe and proper operation.



- Unscrew the four feet as necessary by turning the foot, **1**, and the locking ring, **2**, to the left.
- Once level, hold the foot, **1**, still with a wrench. At the same time, turn the locking ring, **2**, to the right using another wrench.

 The dryer lid cannot be removed.

Installation

 **WARNING**

Before installation, disconnect the tumble dryer from the electrical supply by shutting off the power main or tripping the circuit breaker. Be sure the dryer power cord is unplugged from the wall. Do not restore power until the installation is complete.


Turn the dryer's gas shutoff valve in the supply line to the OFF position.

Disconnect and discard old flexible gas connector and ducting material.

GROUNDING INSTRUCTIONS

This appliance must be grounded. In the event of malfunction or breakdown, grounding will reduce the risk of electric shock by providing a path of least resistance. This appliance is equipped with a cord having an equipment grounding conductor and a grounding plug. The dryer, when installed, must be electrically grounded in accordance with local codes, or in the absence of local codes, with the National Electrical Codes ANSI/NFPA 70, or the Canadian Electrical Code, CSA C22.1.

WARNING – Improper connection of the equipment grounding conductor can result in a risk of electric shock. Check with a qualified electrician, service representative or personnel if you are in doubt as to whether the appliance is properly grounded.

 **WARNING** – This dryer is equipped with a three-prong (grounding) plug for your protection against shock hazard and should be plugged directly into a properly grounded three-prong receptacle. Do not cut or remove the grounding terminal from this plug.

Do not modify the plug! If it will not fit the outlet, have a proper outlet installed by a qualified electrician.

The dryer is supplied with a 5' 7" (1.7 m) 3x14 AWG cord and a NEMA 5-15 P plug, ready for connection to a 120 V, 60 Hz, 15 A AC power supply.

■ Plug the machine into a proper outlet.

If the plug does not fit, have a proper outlet installed by a qualified electrician.

Gas connection

WARNING

Installation and service must be performed by a qualified installer, service agency or gas supplier.

In Massachusetts a licensed plumber / gas fitter is required.

This appliance must be installed with its own shut off valve in the same room. The valve must be easily accessible to the consumer to turn on or shut off the gas supply after the appliance is installed.

During any pressure testing of the gas system this appliance must be disconnected from the gas supply by closing its individual manual shut off valve.

Any pipe connections must be made using a thread sealant approved for gas connections. Failure to correctly install these items could lead to a gas leak and subsequent explosion.

The gas installation must be made in accordance with local codes or, in the absence of local codes, with

-National Fuel Gas Code,
ANSI Z223.1/NFPA 54 for USA
or
-Natural Gas and Propane
Installation Code,
CSA B149.1 for Canada.

Gas type

The gas dryer is equipped for connection to a **NATURAL GAS** supply.

The maximum heat output is 19,500 BTU/H (5,7 kW).

Minimum gas supply pressure

to obtain the required gas input is:
0.15 psi (4" WC) for natural gas
0.29 psi (8" WC) for LP gas.

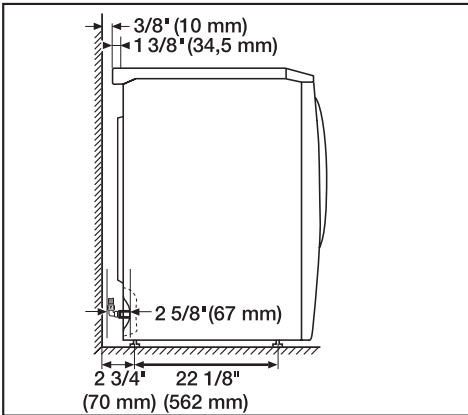
Maximum gas supply pressure

before the gas pressure regulator
0.37 psi (10" WC) for natural gas
0.46 psi (13" WC) for LP gas.

Gas supply

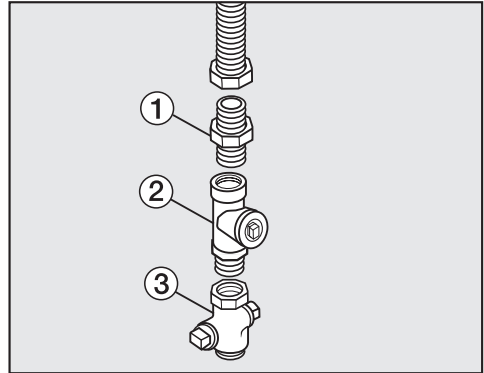
Installation material (hoses and adapters) must be provided by the installer.

Gas connection distances



This appliance must be installed with its own shut off valve on the gas supply line. The valve must be within 6 ft. (1.8 m), and in the same room, of the dryer.

An $\frac{1}{8}$ " NPT pressure tapping plug must be installed immediately upstream of the gas supply connection. This allows the gas inlet pressure to be checked.




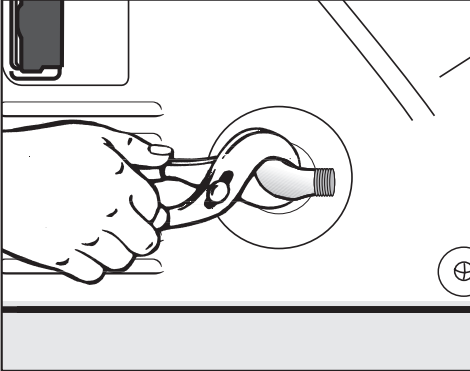
- ① Flare union adapter
- ② $\frac{1}{8}$ " NPT pressure tapping plug
- ③ Gas shut-off valve

For convenience (if allowed by code), an AGA or CGA approved flexible stainless steel gas hose (accordion type) may be used between the gas source and the dryer. This will allow the appliance to be moved from the installation site for cleaning or servicing. Make sure that nothing rubs on the gas hose.

If there is any doubt concerning installation, contact the Miele Technical Service Department at the phone number listed on the back of this manual.

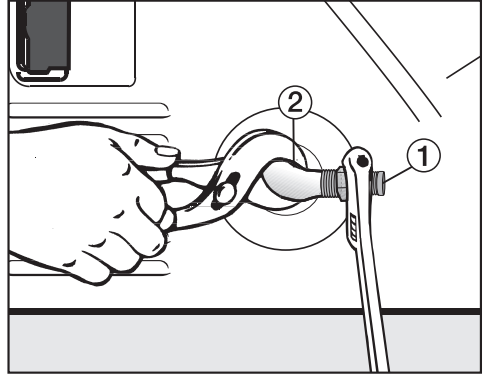
Gas connection

 To secure all connections use appropriate Teflon tape or a thread compound, suitable for gas connections.

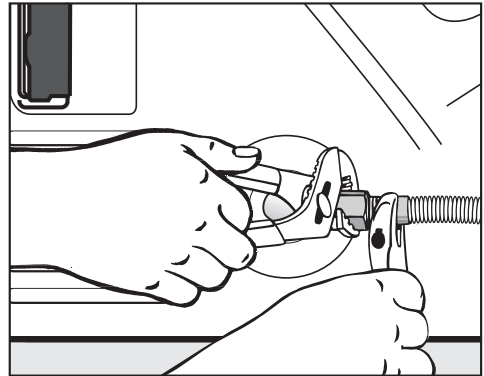


- At the end of the dryer's gas connection hand screw on the $\frac{3}{8}$ " NPT elbow. Using a wrench tighten the elbow with a half turn.

 **DO NOT OVERTIGHTEN.**

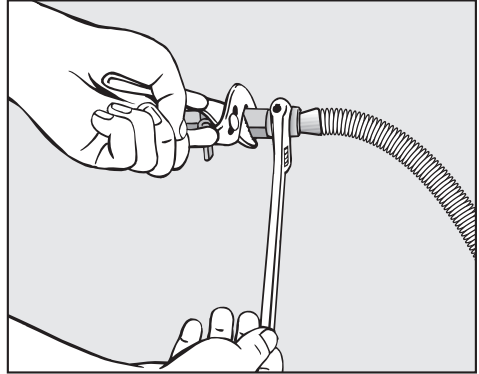
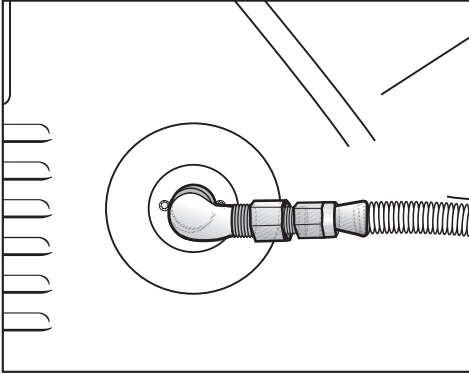


- Install a $\frac{3}{8}$ " flare union adapter, ①, to the female elbow, ②. Hold the elbow with a wrench.



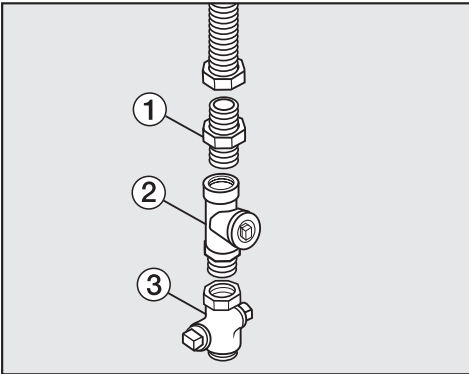
- Secure the flexible metal gas line connector to the adapter.

Gas connection

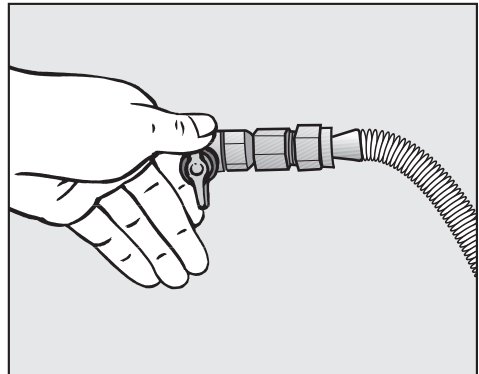


- Using two wrenches tighten the flexible gas line connection.

- Using two wrenches tighten all connections.




 **DO NOT OVERTIGHTEN.**



- Connect the flare union adapter, ①, to the pressure tapping plug, ②, originally installed on the gas shut off valve, ③.

- Open the gas shut-off valve.
- **After connecting the appliance check all fittings for gas leaks e.g. with soapy water or an equivalent.**

 **WARNING**
NEVER USE AN OPEN FLAME TO TEST FOR GAS LEAKS.

Ducting

Exhaust ducting and connections

A gap of $\frac{3}{8}$ " (10 mm) must be provided between the machine and the floor. This gap is necessary for proper air flow and must not be blocked by a toe-kick or thick piled carpets.

Sufficient venting of the installation site is essential for proper dryer operation. Inadequate ventilation will increase energy use and drying times.

WARNING

Danger of toxic fumes.

The exhaust gases from the dryer must only be vented outside the building.

DO NOT terminate the exhaust ducts in a chimney, fireplace ducting, a combustion appliance vent flue, or enclosed, unventilated area such as attics, garages, crawlspaces, walls, ceilings or concealed space of a building.

To reduce the risk of fire, only use metal ductwork.

How to calculate the effective duct length

The overall duct length will determine the duct diameter.

■ Measure the actual duct length needed to go from the dryer's exhaust connection to the vent outlet:

1. Establish the number of elbows or bends necessary, noting the type of bend, angle and radius involved (see Table).
2. Add the additional duct length (as derived by using the values specified in the table) to the actual duct length to get the effective length.

Note:

Maximum effective duct lengths:

4" (100 mm) diameter	66 ft (20 m)
5" (125 mm) diameter	131 ft (40 m)
6" (150 mm) diameter	328 ft (100 m)

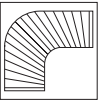

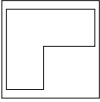
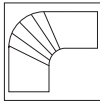
Effective duct lengths over 66 ft (20 m) require a larger duct diameter.

Longer ducts may lead to decreases in dryer efficiency if the next larger duct diameter is not followed.

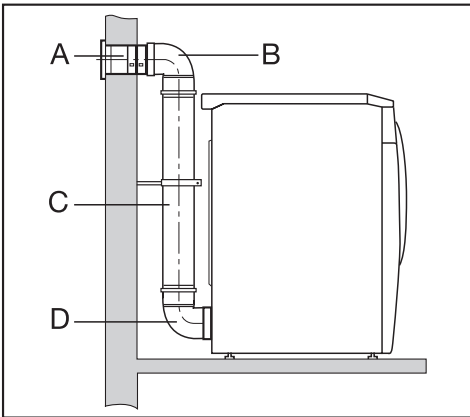
Tips about the ductwork

- Check with your local building code to determine the maximum allowable duct length.
- Rigid metal or flexible aluminum ducting is preferred. Flexible foil ducting may move and bounce due to the high airflow of the dryer. This could lead to a thumping or grinding noise.
- Non-metallic flexible hose should not be used. It is a potential fire hazard.
- For best drying results avoid extra long ducting with too many bends, angles or tight corners.
- The shorter the exhaust ductwork, the more efficient the dryer will be. Expelled air is slowed down in the ducts due to friction against the inner walls. The shorter and smoother the inner walls are, the less friction will be created.
- An elbow or bend creates more friction than a straight duct. An additional duct length factor must be added for each elbow or bend (see Table). This factor expresses the resistance of the bend in terms of a straight length of duct. The additional length factor is then added to the existing duct to give the effective duct length. A larger duct diameter helps to reduce friction. Therefore duct diameter should be increased if longer duct lengths are required.

Ducting

Additional duct lengths (4" (100 mm) rigid pipe only)				
Type of bend	Radius		Additional duct length	
	inches	cm	ft	cm
Flexible metal duct – 3' 3" (1 m) straight – 45° angle – 90° angle 	10"	25	5' 11"	180
	10"	25	4' 11"	150
	10"	25	8' 2"	250
Smooth metal duct – 3' 3" (1 m) straight – 45° angle – 90° angle 	10"	25	3' 3"	100
	10"	25	1' 11"	60
	10"	25	2' 7"	80
Elbow 90° sharp 			7' 6"	230
Concertina bend – 90° angle 	8"	20	2' 4"	70
Wall vent or window vent – with louvers – with flap – with weather hood			12' 5"	380
			4' 11"	150
			19' 8"	600

Example



Rigid pipe		Duct length ft	Duct length m
A	Wall duct with louvered wall vent	12' 5"	3.8 m
B	90° bend	2' 4"	0.7 m
C	20" (0.5 m) rigid pipe	1' 7"	0.5 m
D	90° bend	2' 4"	0.7 m
Total duct length		18' 8"	5.7 m

The total duct length is less than 33 feet (10 m), so a duct diameter of 4" (100 mm) with adapter is sufficient.

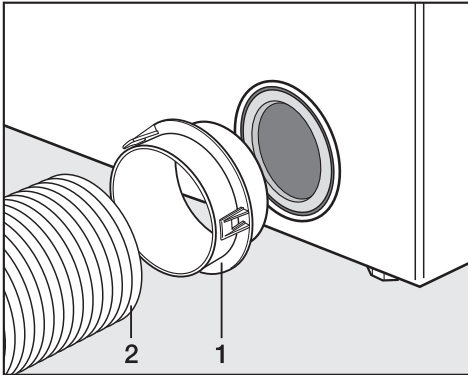
Ducting

Exhaust connection with a flexible exhaust hose or rigid pipe

Using the connector supplied, an exhaust hose (4" [100 mm] diameter) can be installed.

Necessary materials:

- a wall or window duct (available from Miele)
- an exhaust hose made of approved non-flammable material



- Install the required connector*, **1**, with the exhaust hose or pipe, **2**, to the dryer.

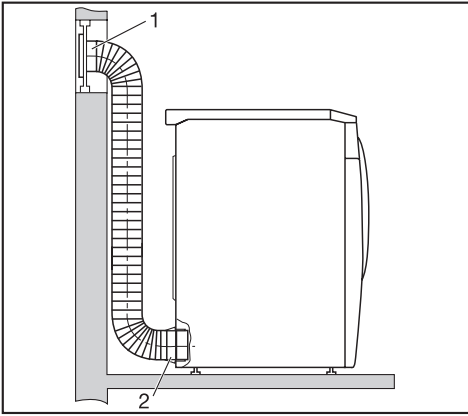
* The white connector with clips is used for connection to a hose; the gray connector without clips is used for connection to a pipe.

WARNING

Do not remove the restriction insert in the vent opening. It may result in poor drying results, damage to the laundry and higher Carbon monoxide emissions.

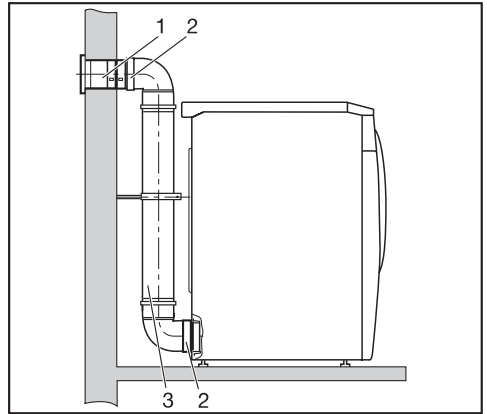
The exhaust duct must not be connected or secured with screws or other fastening devices which extend into the interior of the duct.

Window connection (example)



- 1** Window duct
- 2** Connector for the rigid or flexible exhaust hose

Wall connection (example)



- 1** Wall pipe (Installation sheet supplied with the Miele wall pipe)
- 2** Connector
- 3** Rigid pipe

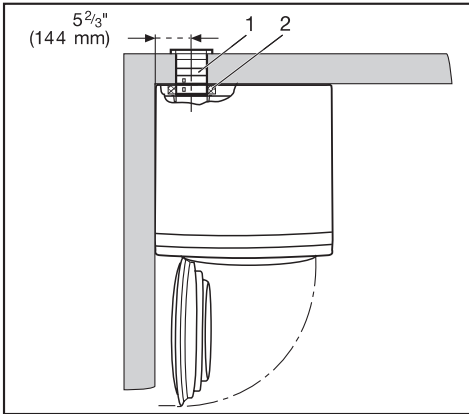
Ducting

Direct wall connection

Necessary materials:

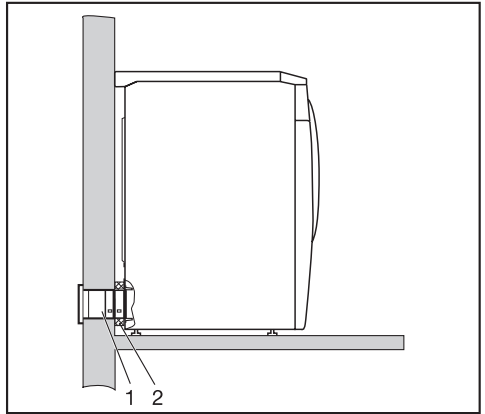
- a wall pipe
- flexible foam gasket

Dryer top view

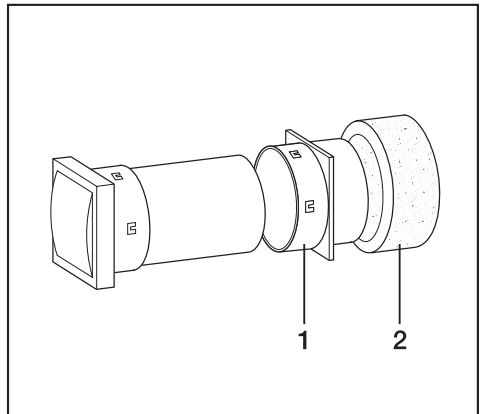


- 1 Wall pipe
- 2 Flexible foam gasket

Dryer side view



- 1 Wall pipe
- 2 Flexible foam gasket



- Connect the flexible foam gasket, **2**, to the wall pipe connector, **1**.
- Push the dryer to the wall.

Disposal of the packing materials

The packing materials protect the appliance during shipping. They have been designed to be biodegradable and recyclable.

To prevent suffocation, ensure that any plastic wrappings, bags, etc. are disposed of safely and kept out of the reach of children.

Disposal of an appliance

Old appliances may contain materials that can be recycled. Please contact your local recycling authority about the possibility of recycling these materials.

Ensure that a discarded dryer presents no danger to children. When being stored for disposal remove the door to the drying compartment.

**Please have the model and serial number
of your appliance available before
contacting Technical Service.**



**U.S.A.
Miele, Inc.**

National Headquarters

9 Independence Way
Princeton, NJ 08540
Phone: 800-843-7231
609-419-9898
Fax: 609-419-4298
www.miele.com

**Technical Service & Support
Nationwide**

Phone: 800-999-1360
Fax: 888-586-8056
TechnicalService@mieleusa.com

**Canada
Miele Limited**

Headquarters and Showroom

161 Four Valley Drive
Vaughan, ON L4K 4V8
Phone: 800-643-5381
905-660-9936
Fax: 905-532-2290
www.miele.ca
info@miele.ca (general enquiries)
professional@miele.ca (commercial enquiries)

MieleCare National Service

Phone: 800-565-6435
905-532-2272
Fax: 905-532-2292
service@miele.ca (technical enquiries)