

## WTV 405 Stacking Kit Installation Instructions

### W1113 Washer and T1302, 1303, 1322C, 1323C Dryers

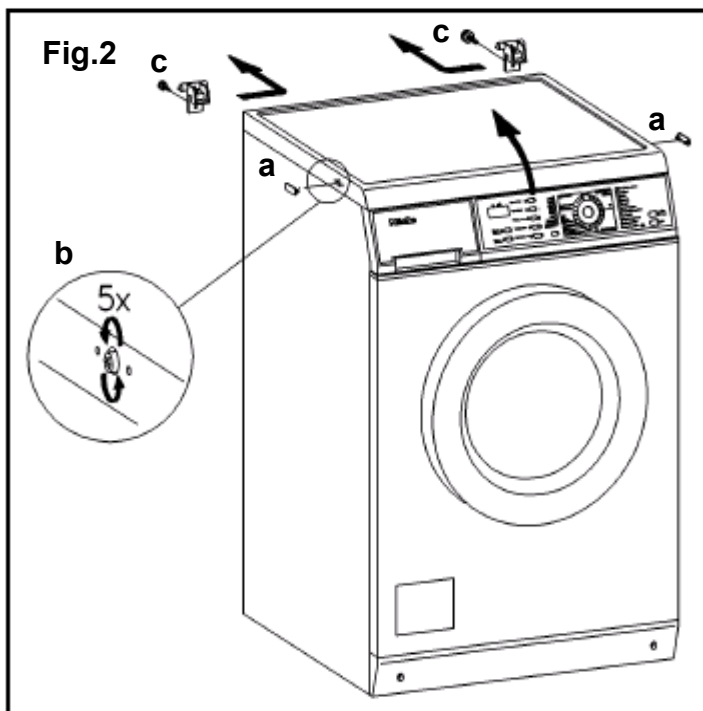
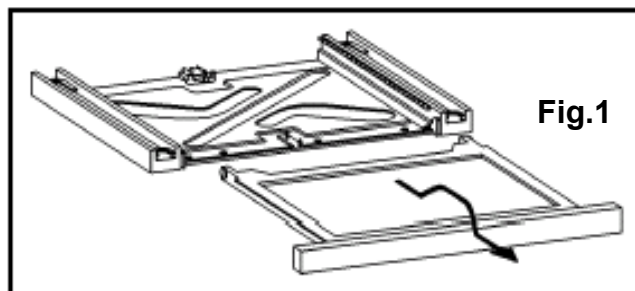
#### **Warning!**

Prior to installation or service disconnect the units by “tripping” the breaker, unplugging the unit or removing the fuse.

Installation and service should be by a Miele authorized service technician. Work by unqualified persons could be hazardous and may void the warranty.

#### Stacking Kit Shelf Removal (Fig. 1)

- Push the self in slightly to release.
- Pull the shelf out until it stops.
- Lift the shelf slightly; pull forward and tilt downward to remove.



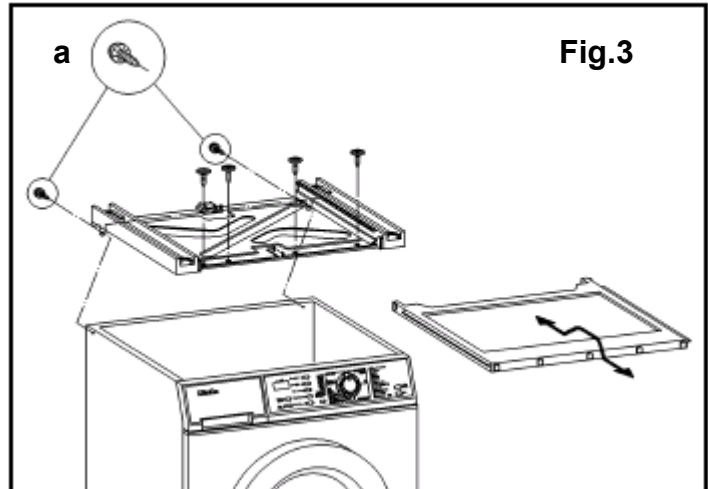
#### Washer Lid Removal (Fig. 2)

- Remove the 2 screw caps (a)
- Loosen the lid screws 5 turns. (b)
- Push lightly on the screws to release the retaining clips.
- Lift the front of the lid and slide it backwards to remove.
- Remove the 2 screws from the rear lid brackets (c)
- Slide the brackets to the side and remove.

### Installing the Stacking Kit (Fig.3)

After removing the washer lid, lay the stacking into position on top of the washer.

- Secure the stacking kit with the screws provided.
  - 2 screws with star washers in the rear (a)
  - 4 screws without star washers on top.



### Dryer Installation (Fig. 4)

- Adjust the dryer feet to  $\frac{3}{4}$ " as shown. (a)
- Make sure the flat side of foot pad faces forward. (a)
- Place the dryer in the guides of the stacking kit and slide back into position.
- Install the retaining brackets and secure with the provided screws. (b)
- Reinstall the shelf.

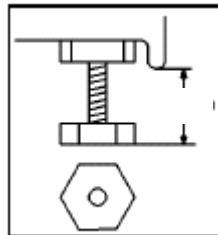


Fig. 4

