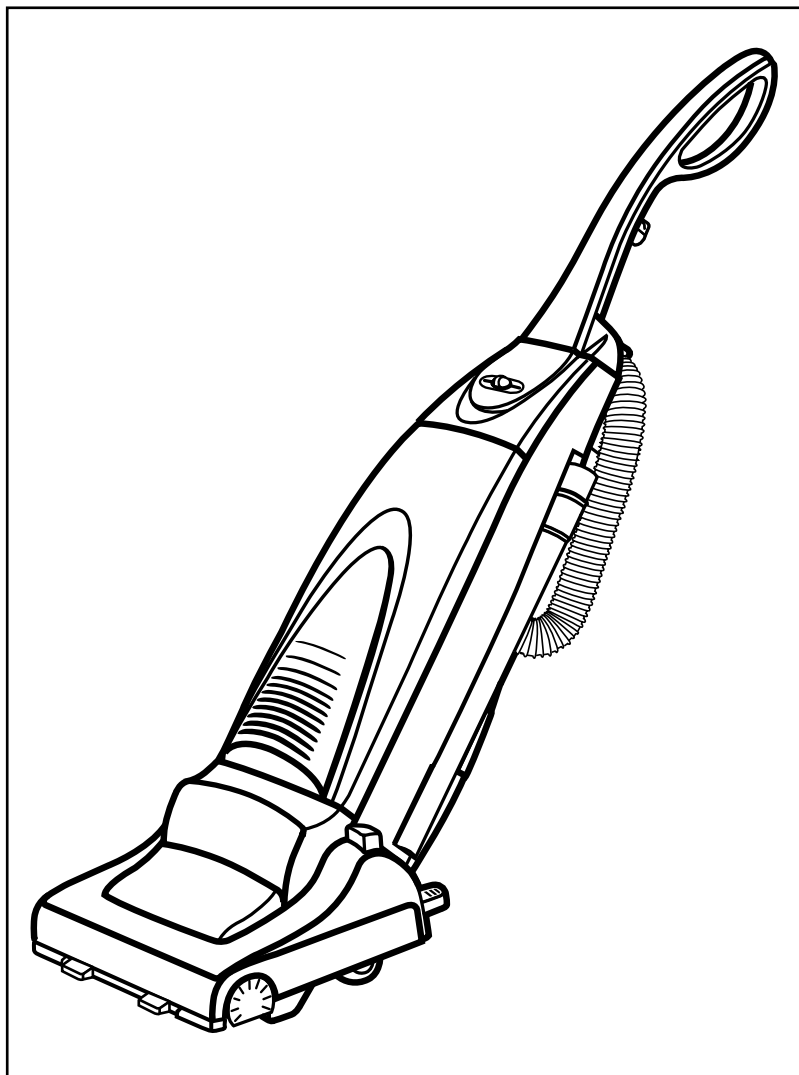


# Service Manual

Vacuum Cleaner  
MODEL S185



## ■ SPECIFICATIONS

Power source

Input power

Vacuum

Power cord length

Net weight

Dimensions (WxLxH)

Attachments:   Dusting brush  
                    Upholstery nozzle  
                    Crevice nozzle  
                    Extension wand

### S185i

AC120V

60Hz

12 A

64.2 in

26.2 ft

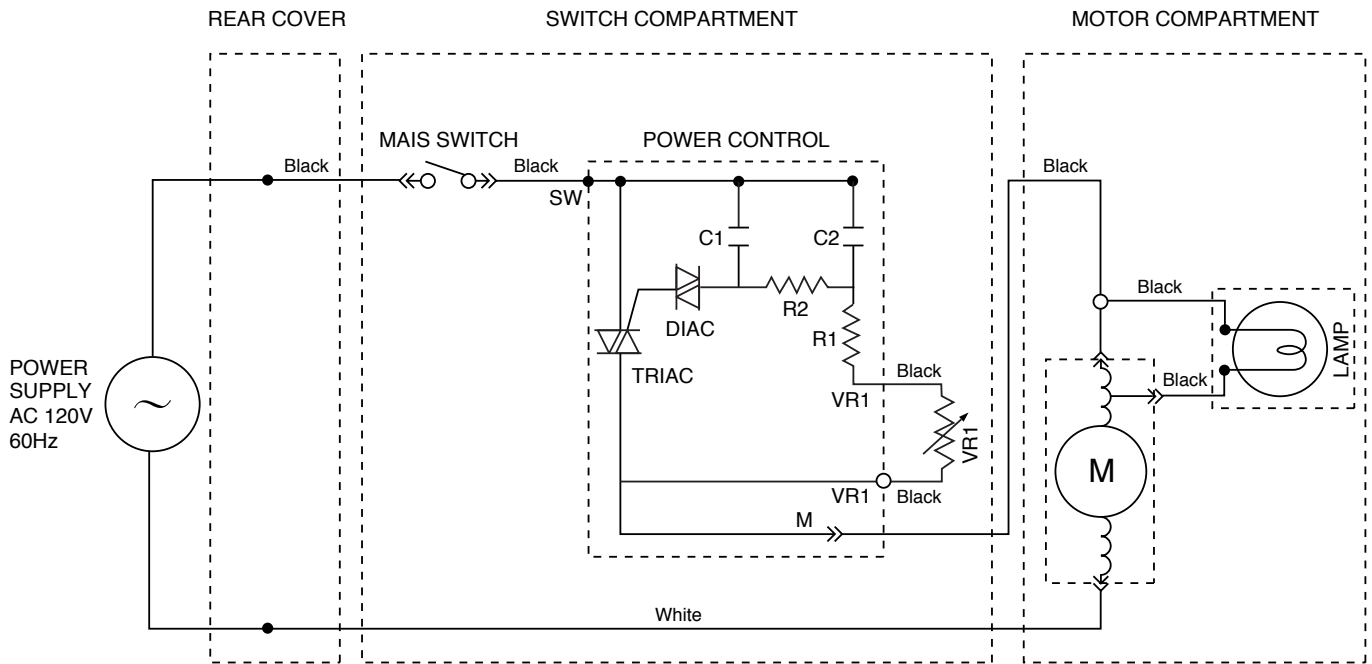
16.7 Lbs

13.1x12.9x42.5 in

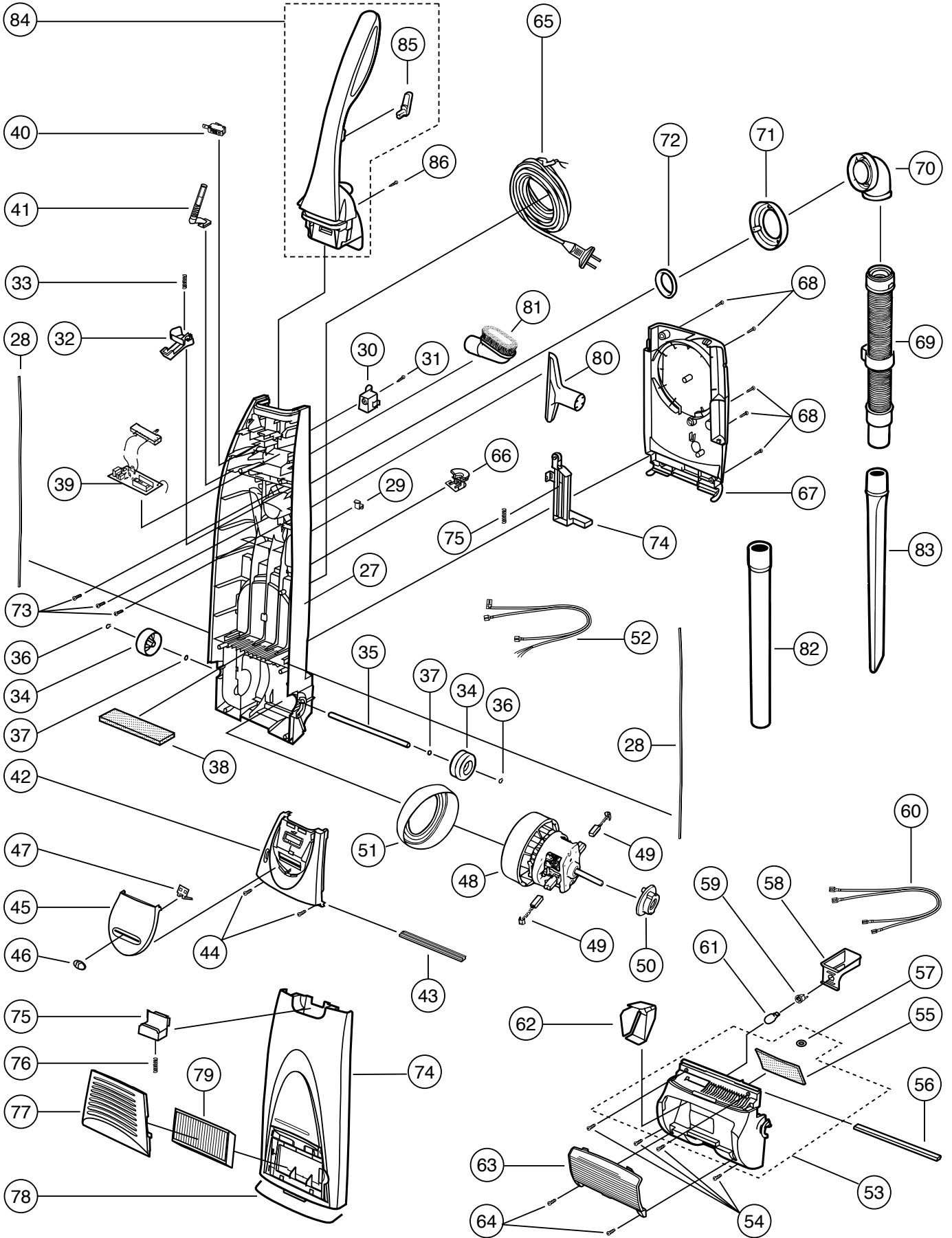
- 
- 
- 
- 

**Miele®**

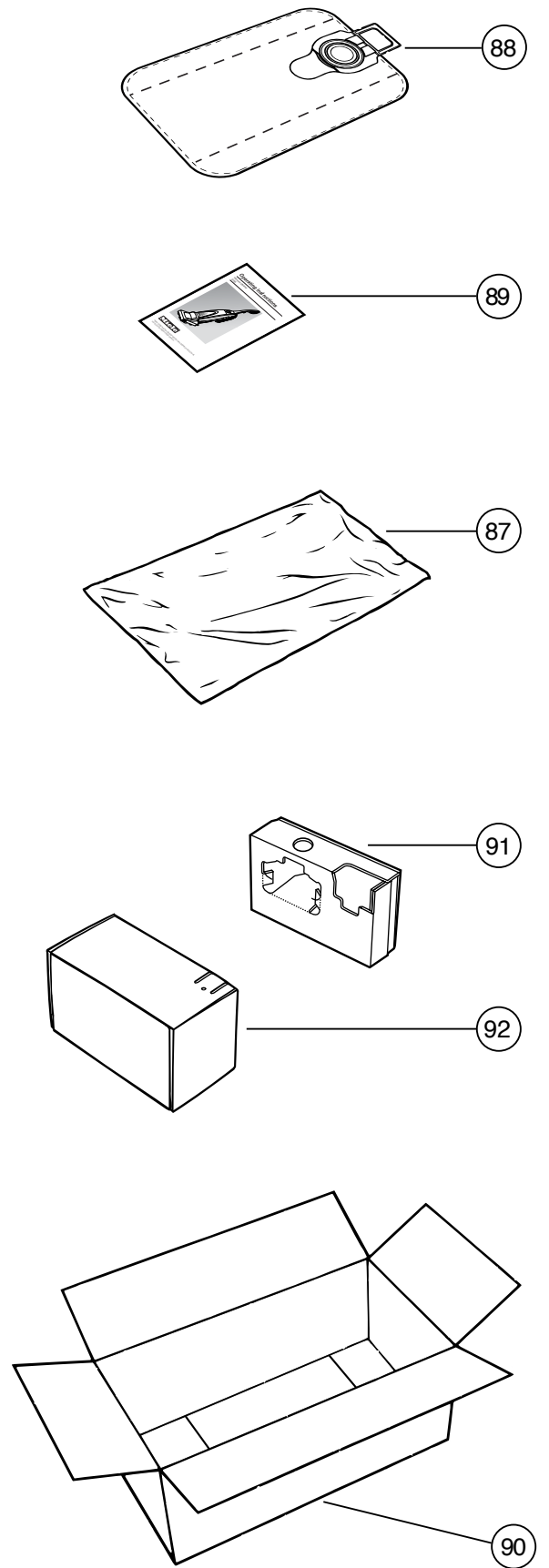
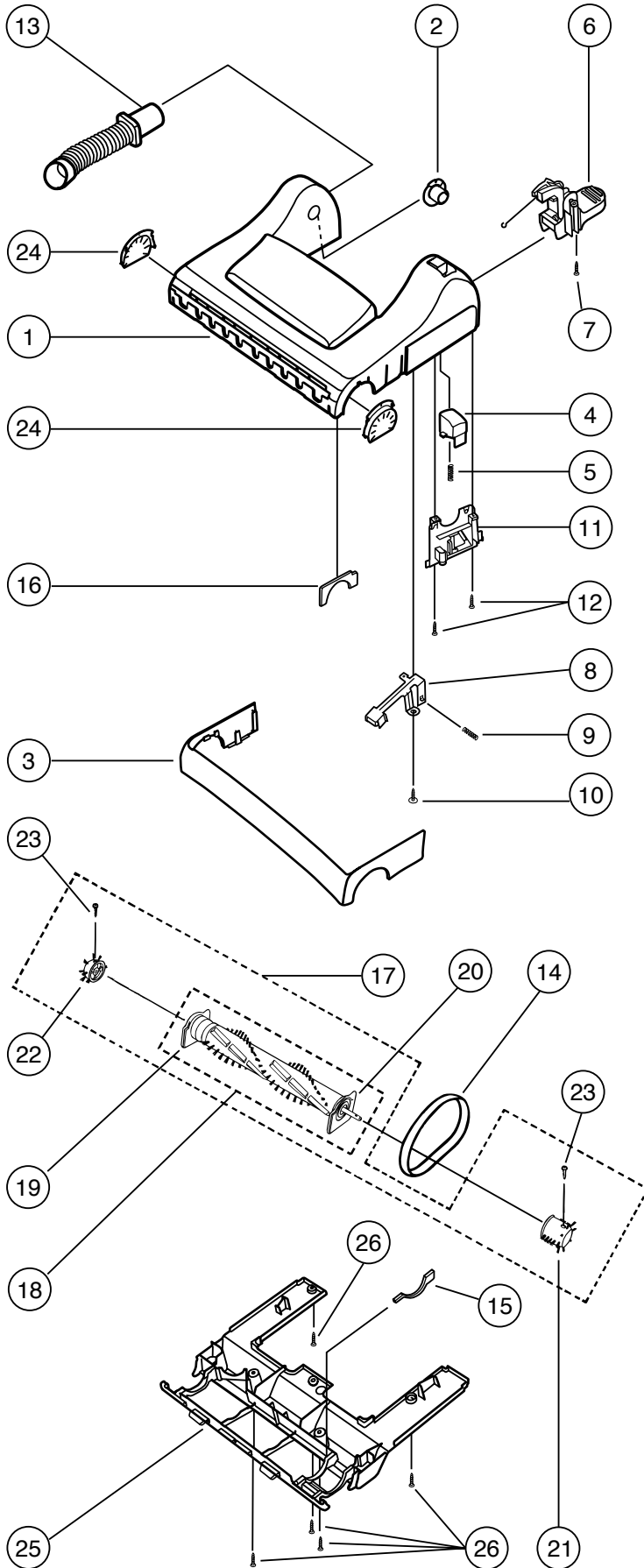
# ■ SCHEMATIC DIAGRAM



EXPLODED VIEW



■ EXPLODED VIEW



## ■ SPARE PARTS LIST

REF. No.	DESCRIPTION	PART No.	Pcs/Set	S185	REMARKS
1	FLOOR NOZZLE COVER	AMC8AY3Z8078	1	*	New part number
2	PLASTIC SHAFT	AMC8C27M1000	1	*	Common part with S175i, S179i
3	FLOOR NOZZLE BUMPER	AMC8A33M1034	1	*	Common part with S175i, S179i
4	PEDAL SELECTOR (BEATER BAR)	AMC8R31M1034	1	*	Common part with S175i, S179i
5	SPRING	AMC8F30B1000	1	*	Common part with S175i, S179i
6	FLOOR NOZZLE PEDAL ASS'Y	AMC8A78M1000	1	*	Common part with S175i, S179i
7	TAPPING SCREW	XTN4+18B	1	*	
8	LEVER SELECTOR	AMC8R23M6000	1	*	Common part with S175i, S179i
9	SPRING	AMC8F30B1000	1	*	Common part with S175i, S179i
10	FIXING SCREW	AMC8C0891000	1	*	Common part with S175i, S179i
11	FRAME ASS'Y	AMC8AZ7M1000	1	*	Common part with S175i, S179i
12	TAPPING SCREW	XTN4+18B	2	*	
13	SUCTION PIPE	AMC8H02M1034	1	*	Common part with S175i, S179i
14	BELT (PACK 2/PCS.)	AMC8S01Z6000	1	*	Common part for all models
15	ROTARY FELT A	AMC8R42B1000	1	*	Common part with S170i, S175i, S179i
16	ROTARY FELT B	AMC8R43B1100	1	*	Common part with S170i, S175i, S179i
17	ROTARY BRUSH UNIT	AMC8R98M9064	1	*	Common part with S175i, S179i
18	ROTARY BRUSH	AMC8R88M9064	1	*	Common part with S175i, S179i
19	BEARING SUPPORT A	AMC8R12G1061	1	*	Common part with S171i, S172i, S175i, S179i
20	BEARING SUPPORT B	AMC8R13G1061	1	*	Common part with S171i, S172i, S175i, S179i
21	SIDE BRUSH UNIT A	AMC8R96B7061	1	*	Common part with S175i, S179i
22	SIDE BRUSH UNIT B	AMC8R91G1061	1	*	Common part with S171i, S172i, S175i, S179i
23	TAPPING SCREW	XSN3+16E	2	*	
24	SIDE BRUSH PROTECTOR	AMC8R45Z6034	2	*	New part
25	BASE PLATE ASS'Y	AMC8AZ3R5061	1	*	Common part with S179i
26	TAPPING SCREW	XTN4+18B	5	*	
27	LOWER BODY	AMC8C02Z8078	1	*	New part number
28	DUST SEAL	AMC8T04M1034	2	*	Common part with S175i, S179i
29	UPHOLSTERY NOZZLE CLIP	AMC8AZ1M1034	1	*	Common part with S175i, S179i
30	DUSTING BRUSH CLIP	AMC8AZ2M1034	1	*	Common part with S175i, S179i
31	TAPPING SCREW	XTN4+18B	1	*	
32	PAPER BAG CLAMP	AMC8F02M1034	1	*	Common part with S175i, S179i
33	SPRING	AMC8R52M1000	1	*	Common part with S175i, S179i
34	WHEEL	AMC8R01Z6034	2	*	New part
35	WHEEL SHAFT	AMC8A55M1000	1	*	Common part with S175i, S179i
36	FIXING WASHER	XUB7000I	2	*	Common part with S170i, S175i, S179i
37	PLAIN WASHER	XWG7000J	2	*	Common part with S170i, S175i, S179i
38	CENTRAL FILTER	AMC8F03M1000	1	*	Common part with S175i, S179i
39	POWER CONTROL ASS'Y	AMC8E91R5000	1	*	Common part with S179i
40	MAIN SWITCH 1080 $\mu$	AMC8E01B7000	1	*	Common part with S175i, S179i
41	DUST BAG CHECK INDICATOR	AMC8I99M9000	1	*	Common part with S175i, S179i
42	SWITCH COVER	AMC8TZ3Z8078	1	*	New part number
43	SWITCH COVER SEAL	AMC8C24B1034	1	*	Common part with S175i, S179i
44	TAPPING SCREW	XTN4+18B	2	*	
45	CONTROL PANEL	AMC8MZ3R5061	1	*	New part number
46	POTENTIOMETER BUTTON	AMC8E17M1034	1	*	Common part with S175i, S179i
47	BUTTON SUPPLEMENT	AMC8E21M1061	1	*	Common part with S175i, S179i
48	MOTOR UNIT SDS-1301MT	AMC81SD01MT0	1	*	Common part with S179i
49	CARBON BRUSH	AMC8201C9801	2	*	Common part with S179i
50	REAR MOTOR SUPPORT	AMC8E09B1000	1	*	Common part with S170i, S175i, S179i
51	FRONT MOTOR SUPPORT	AMC8E0891000	1	*	Common part with S170i, S175i, S179i
52	PARALLEL WIRE B	AMC8D31R5000	1	*	Common part with S179i
53	UPPER BODY ASS'Y	AMC8C97Z8078	1	*	New part number

## ■ SPARE PARTS LIST

REF No.	DESCRIPTION	PART No.	Pcs/Set	S185	REMARKS
54	TAPPING SCREW	XTN4+18B	4	*	
55	REAR FILTER	AMC8T09M1000	1	*	Common part with S175i, S179i
56	UPPER BODY SEAL	AMC8C09M1034	1	*	Common part with S175i, S179i
57	FIXING WASHER	XUZ0300J	1	*	Common part with S175i, S179i
58	LAMP HOLDER BASE	AMC8D28M3100	1	*	Common part with S175i, S179i
59	LAMP HOLDER	AMC8D26G2000	1	*	Common part with S175i, S179i
60	PARALLEL WIRE A	AMC8D30M9000	1	*	Common part with S175i, S179i
61	LAMP 12.8V /1.4A	AMC8D25B6100	1	*	Common part with S175i, S179i
62	REFLECTOR	AMC8D27M3000	1	*	Common part with S175i, S179i
63	LENS COVER	AMC8I14M3101	1	*	Common part with S175i, S179i
64	TAPPING SCREW	XTN4+18B	2	*	
65	POWER CORD SVTAWG17	AMC8E97R5000	1	*	Common part with S179i
66	CORD COVER	AMC8C07R5034	1	*	Common part with S179i
67	REAR COVER	AMC8T06Z8078	1	*	New part number
68	TAPPING SCREW	XTN4+18B	5	*	
69	DETACHABLE HOSE	AMC8AZ0M1034	1	*	Common part with S175i, S179i
70	SUCTION INLET	AMC8T11B1034	1	*	Common part with S175i, S179i
71	BASE SUCTION INLET	AMC8T3891034	1	*	Common part with S175i, S179i
72	SUCTION PACKING	AMC8T1291000	1	*	Common part with S175i, S179i
73	TAPPING SCREW	XTN4+18B	3	*	
74	DUST COVER	AMC8TZ4Z8078	1	*	New part number
75	LOCKING	AMC8T03M1078	1	*	New part number
76	SPRING	AMC8T19A1000	1	*	Common part with S175i, S179i
77	EXHAUST COVER	AMC8T07Z8078	1	*	New part number
78	EXHAUST COVER SEAL	AMC8T34M6000	1	*	Common part with S179i
79	HEPA FILTER	AMC8S02Z6000	1	*	New part common with S183, S184
80	UPHOLSTERY NOZZLE	AMC8A2791134	1	*	Common part with S175i, S179i
81	DUSTING BRUSH	AMC8A97G1034	1	*	Common part with S171i, S175i, S179i
82	EXTENSION TUBE	AMC8A1291034	1	*	Common part with S170i, S175i, S179i
83	CREVICE NOZZLE	AMC8A1391034	1	*	Common part with S170i, S175i, S179i
84	HANDLE UNIT	AMC8H99Z8078	1	*	New part number
85	UPPER CORD HOOK	AMC8H0791078	1	*	New part number
86	HANDLE SCREW	AMC8H10B1000	1	*	Common part with S171i, S175i, S179i
87	SET COVER	AMC8Z05G1100	1	*	Common part with S171i, S175i, S179i
88	PAPER BAG / TYPE Z	AMC8F01Z6000	2	*	New part common with S183, S184
89	OPERATING INSTRUCTIONS	AMC8Z07Z8090	1	*	New part
90	CARTON BOX	AMC8Z01Z8000	1	*	New part
91	CUSHION A	AMC8Z02M1000	1	*	Common part with S175i, S179i
92	CUSHION B	AMC8Z03M1000	1	*	Common part with S175i, S179i