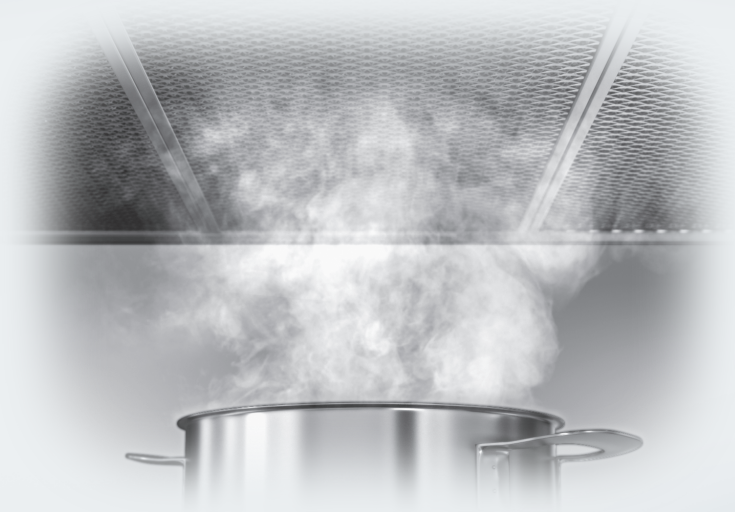


Operating and Installation Instructions

Range Wall / Insert Hood



To prevent accidents and machine damage, read these instructions **before** installation or use.

Contents

IMPORTANT SAFETY INSTRUCTIONS	3
Description of functions	7
Guide to the Ventilation System	8
Operation	11
Turning the light on/off	11
Turning the blower on/off	11
Selecting the blower power level	11
Intensive level	11
Cleaning and Care	12
Cleaning the casing	12
Baffle filtration	13
OdorFree charcoal filters	15
After Sales Service	16
Installation instructions	17
Caring for the environment	18
Appliance dimensions	19
Plywood backing	26
Installation	27
Installation instructions	27
Protective film	27
Air extraction	28
Electrical connection	30
Technical data	31

IMPORTANT SAFETY INSTRUCTIONS

READ AND SAVE THESE INSTRUCTIONS

Keep these instructions in a safe place and pass them on to any future user.

Read these instructions carefully before installing or using the Ventilation System.

- ▶ This appliance is intended for residential use only. Use the appliance only for its intended purpose.
- ▶ This appliance complies with current safety requirements. Improper use of the appliance can lead to personal injury and material damage.

⚠ CAUTION For General Ventilating Use Only. Do Not Use To Exhaust Hazardous Or Explosive Materials And Vapors.

- ▶ This appliance is designed to vent cooking smoke and odors only.
- ▶ This appliance is suitable for installation above gas or electric cooking surfaces.
- ▶ This appliance is not intended for outdoor use.
- ▶ This appliance must not be used in a non-stationary location (e.g. on a ship).

⚠ WARNING TO REDUCE THE RISK OF FIRE, ELECTRIC SHOCK, OR INJURY TO PERSONS, OBSERVE THE FOLLOWING:

- ▶ a) Use this appliance only in the manner intended by the manufacturer. If you have questions, contact Miele.
- ▶ b) Before servicing or cleaning the appliance, switch power off at the service panel and lock the service disconnecting means to prevent power from being switched on accidentally. If the service disconnecting means cannot be locked, securely fasten a prominent warning device, such as a tag, to the service panel.
- ▶ c) Be certain your appliance is properly installed and grounded by a qualified technician. To guarantee the electrical safety of this appliance, continuity must exist between the appliance and an effective grounding system. It is imperative that this basic safety requirement be met. If there is any doubt, have the electrical system of the house checked by a qualified electrician.

IMPORTANT SAFETY INSTRUCTIONS

▶ d) Before connecting the appliance to the power supply make sure that the voltage and frequency listed on the data plate correspond with the household electrical supply. This data must correspond to prevent appliance damage. If in doubt consult a qualified electrician.

▶ e) Installation work and repairs should only be performed by a qualified technician in accordance with all applicable codes and standards. Repairs and other work by unqualified persons could be dangerous.

▶ f) Only open the housing as described in the enclosed "Installation diagram" and in the "Cleaning and care" section of this manual. Under no circumstances should any other parts of the housing be opened. Tampering with electrical connections or components and mechanical parts is highly dangerous to the user and can cause operation faults.

▶ g) Before discarding an old appliance, disconnect it from the power supply and remove the power cord to prevent hazards.

Use

WARNING **TO REDUCE THE RISK OF A COOKTOP GREASE FIRE:**

▶ a) Never leave surface units unattended at high settings. Boilovers cause smoking and greasy spillovers may ignite. Heat oils slowly on low or medium settings.

▶ b) Always turn the hood on when cooking at a high heat.

▶ c) Clean the ventilation hood frequently. Grease should not be allowed to accumulate on the blower or filter.

▶ d) Use the proper pan size. Always use cookware appropriate for the size of the cooking area.

▶ e) Do not flambé or grill with an open flame beneath the hood. Flames could be drawn up into the hood by the suction and the baffle filters may catch fire.

IMPORTANT SAFETY INSTRUCTIONS

⚠ WARNING **TO REDUCE THE RISK OF INJURY TO PERSONS IN THE EVENT OF A COOKTOP GREASE FIRE, OBSERVE THE FOLLOWING*:**

▶ a) **SMOTHER FLAMES** with a close fitting lid, cookie sheet, or metal tray then turn off the burner.

BE CAREFUL TO PREVENT BURNS. If the flames do not go out immediately, **EVACUATE AND CALL THE FIRE DEPARTMENT.**

▶ b) **NEVER PICK UP A FLAMING PAN** - You may be burned.

▶ c) **DO NOT USE WATER**, including wet dishcloths or towels - a violent steam explosion will result.

▶ d) Use a fire extinguisher **ONLY** if:

- 1) You have a class ABC extinguisher, and you know how to operate it.
- 2) The fire is small and contained in the area where it started.
- 3) The fire department is being called.
- 4) You can fight the fire with your back to an exit.

* Based on "Kitchen Fire safety Tips" published by NAFTA

▶ This appliance is not intended for use by persons (including children) with reduced physical, sensory or mental capabilities, or lack of experience and knowledge, unless they have been given supervision or instruction concerning use of the appliance by a person responsible for their safety.

▶ Children should be supervised to ensure that they do not play with the appliance.

⚠ CAUTION **Accessible parts may become hot when used with cooking appliances.**

▶ Always turn on the hood when using the cooktop to prevent damage from condensation.

▶ Never operate gas burners without cookware. Turn the burner off when not in use. Adjust the burner so that the flames do not extend beneath the cookware. Do not overheat the cookware, e.g. when using a wok. The hood can be damaged due to excessive heat from the burners and the cookware.

▶ Do not use the hood without the baffle filters in place.

▶ Do not use a steam cleaner to clean the hood. Steam could penetrate electrical components and cause a short circuit.

IMPORTANT SAFETY INSTRUCTIONS

Installation

WARNING **TO REDUCE THE RISK OF FIRE, ELECTRIC SHOCK, OR INJURY TO PERSONS, OBSERVE THE FOLLOWING:**

- ▶ a) Installation work and electrical wiring must be done by qualified person(s) in accordance with all applicable codes and standards, including fire-rated construction.
- ▶ b) Sufficient air is needed for combustion and exhausting of gases through the flue (chimney of fuel burning equipment to prevent back drafting. Follow the heating equipment manufacturer's guideline and safety standards such as those published by the National Fire Protection Association (NFPA) and the American Society for Heating, Refrigeration and Air Conditioning Engineers (ASHRAE), and the local code authorities.
- ▶ c) When cutting or drilling into the wall or ceiling, do not damage electrical wiring and other hidden utilities.
- ▶ d) Ducted hoods must always be vented to the outdoors.
- ▶ e) Do not use this hood with any solid-state speed control device.
- ▶ f) Do not use an extension cord to connect the appliance to electricity. Extension cords do not guarantee the required safety of the appliance, (e.g. danger of overheating).

▶ g) Do not install this hood over cooktops that burn solid fuel.

▶ h) Provided a larger distance is not given by the manufacturer of the cooktop, follow the minimum safety distances between a cooktop and the bottom of the hood given in the "Appliance dimensions" section of this manual.

If local building codes require a greater safety distance, follow their requirement.

If there is more than one appliance beneath the hood and they have different minimum safety distances always select the greater distance.

▶ i) Never connect an exhaust hood to an active chimney, dryer vent, vent flue, or room ventilating ductwork.

▶ j) Seek professional advice before connecting an exhaust hood vent to an existing, inactive chimney or vent flue.

▶ k) Any fittings, sealant, or materials used to install the ductwork must be made of approved non-flammable materials.

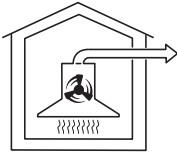
▶ l) This hood should only be used in combination with the DRIB XL/XXL or DREB XL/XXL Miele Blower.

WARNING **TO REDUCE THE RISK OF FIRE USE ONLY METAL DUCTWORK.**

Description of functions

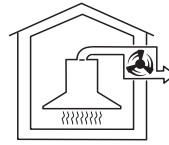
The ventilation system offers the following modes of operation:

Air venting with internal blower



A blower that is integrated into the ventilation system removes any cooking vapors. The air is guided through the baffle filters and cleaned. Then the air is directed outside.

Air venting with external blower



The external blower must be installed outside the room at a location of your choosing.

The external blower is connected to the ventilation system by a control cable and is operated via the control panel of the ventilation system.

Air recirculation mode



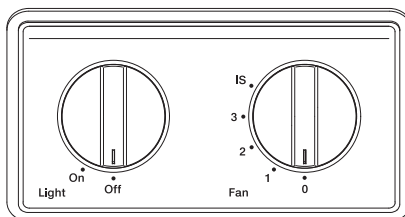
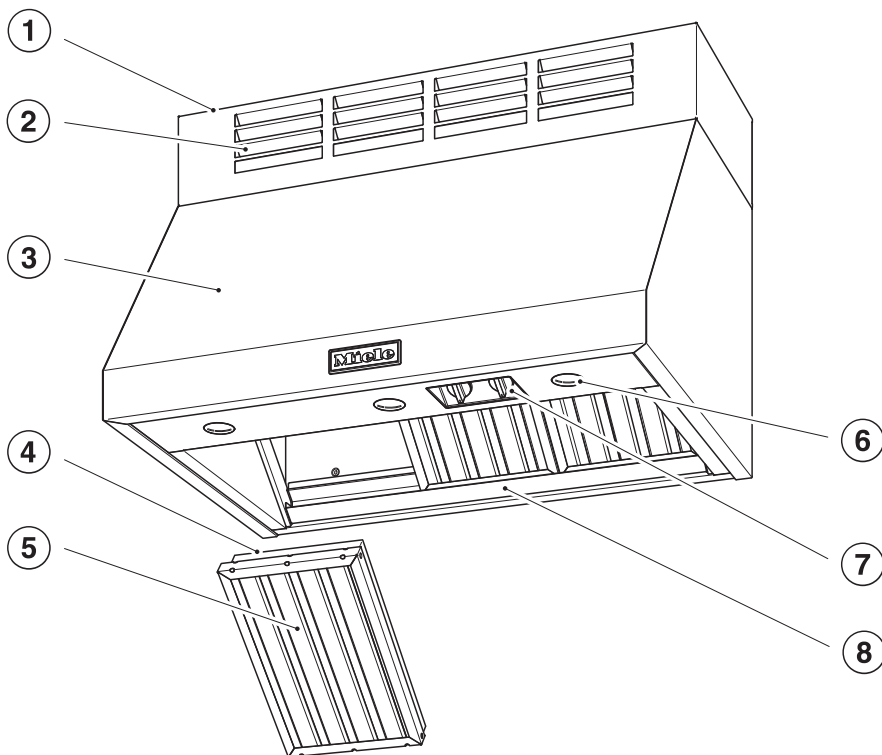
The air that is drawn in is cleaned by the baffle filters and then by an **OdorFree charcoal filter**. The air is returned to the kitchen through opening on the top of the range hood.

In air recirculation mode, please ensure that the OdorFree charcoal filters are in place; see "Cleaning and Care".

da00494c

da00494b

Guide to the Ventilation System



9

10

Guide to the Ventilation System

- ① **Duct cover in four different heights**
(DRDC - optional accessory)
- ② **Vents for recirculated air (with the DRUU recirculation kit for air recirculation mode - optional accessory)**
- ③ **Ventilation hood**
- ④ **OdorFree charcoal filter (behind baffle filtration)**
Optional accessory for air recirculation
- ⑤ **Baffle filtration**
- ⑥ **Overhead LED ClearView lighting**
On/Off switch
- ⑦ **Recessed knob controls**
- ⑧ **Grease collecting tray**
- ⑨ **Overhead LED ClearView lighting knob**
- ⑩ **Blower control knob**
On/Off switch plus 4 fan speeds

Guide to the Ventilation System

The following combinations of appliances are possible:

	Air Venting with Internal Blower	Air Venting with External Blower	Air Recirculation	Duct Cover
Range Insert DAR 1120 30"	Blower DRIB XL=700 cfm or (DRIB XXL=1100 cfm)*	Blower DREB XL=700 cfm or (DREB XXL=1100 cfm)*	-	-
Range Insert DAR 1130 36"	Blower DRIB XL=700 cfm or DRIB XXL=1100 cfm	Blower DREB XL=700 cfm or DREB XXL=1100 cfm	-	-
Range Insert DAR 1150 48"	Blower DRIB XXL=1100 cfm	Blower DREB XXL=1100 cfm	-	-
Range Wall Hood DAR 1220 30"	Blower DRIB XL=700 cfm or (DRIB XXL=1100 cfm)*	Blower DREB XL=700 cfm or (DREB XXL=1100 cfm)*	Blower DRIB XL + Recirculation kit DRUU 30**	DRDC 3006 (6") DRDC 3012 (12") DRDC 3018 (18") DRDC 3024 (24")
Range Wall Hood DAR 1230 36"	Blower DRIB XL=700 cfm or DRIB XXL=1100 cfm	Blower DREB XL=700 cfm or DREB XXL=1100 cfm	DRIB XL + Recirculation kit DRUU 36**	DRDC 3606 (6") DRDC 3612 (12") DRDC 3618 (18") DRDC 3624 (24")
Range Wall Hood DAR 1250 48"	DRIB XXL=1100 cfm	DREB XXL=1100 cfm	-	DRDC 4806 (6") DRDC 4812 (12") DRDC 4818 (18") DRDC 4824 (24")

*Combination not recommended

**The DRDC Duct Cover can also be installed above the recirculation kit.

Turning the light on/off

The overhead LED ClearView lighting and the blower can be turned on and off separately.

Turning the blower on/off

- Turn the blower switch to "1" to turn the blower on and to "0" to turn the blower off.

Selecting the blower power level

Select one of the four power levels according to the intensity of the cooking vapors.

Typically, levels "1" to "3" are sufficient for normal cooking needs.

Intensive level

Use the intensive setting "IS" for short periods of time when frying or cooking food with strong vapors and odors.

Always turn the ventilation system on when cooking.
When using a gas range regardless of the cooktop setting, use the following power levels:

Ventilation system with blower DRIB XL or DREB XL (700 cfm):
20 kW or more: min. Level 2
31 kW or more: min. Level 3

Ventilation system with blower DRIB XXL or DREB XXL (1100 cfm):
31 kW or more: min. Level 2
40 kW or more: min. Level 3

The ventilation system is equipped with a **temperature sensor (Auto-vent safety sensor)**. If an insufficient power level was selected, the ventilation system temporarily switches to the intensive setting "IS". This also happens when the ventilation system is off.

After cooking

If the kitchen is still full of cooking vapors after you have finished cooking, we recommend leaving the ventilation system on for approx. 10 minutes.

- Then turn the system off.

Cleaning and Care

⚠ WARNING
TO REDUCE THE RISK OF
FIRE, ELECTRIC SHOCK, OR
INJURY TO PERSONS,
OBSERVE THE FOLLOWING:

Before cleaning or servicing the hood, disconnect it from the power supply, see "Important Safety Instructions".

Cleaning the casing

Never use abrasive cleaners, scouring pads, steel wool or caustic (oven) cleaners on the hood. They **will** damage the surface.

- All external surfaces and controls can be cleaned with a mild solution of warm water and liquid dish soap applied with a soft sponge.

Do not use too much water when cleaning the controls. Water could penetrate the electronics and cause damage.

- Wipe dry using a soft cloth.

Avoid:

- cleaning agents containing soda, acids or chlorides,
- abrasive cleaning agents e.g. powder or cream cleansers,
- abrasive sponges, e.g. pot scourers or sponges which have been previously used with abrasive cleaning agents.

These will damage the surface.

The following instructions for cleaning "Stainless steel" surfaces and "Stainless steel colored controls" should be followed **in addition to** the general "Cleaning the casing" instructions.

Special instructions for stainless steel surfaces

(not applicable to the controls)

Stainless steel surfaces can be cleaned using a non-abrasive stainless steel cleaner.

To help prevent resoiling, a conditioner for stainless steel can be applied.

Stainless steel colored controls


These controls may become discolored or damaged if not cleaned regularly.

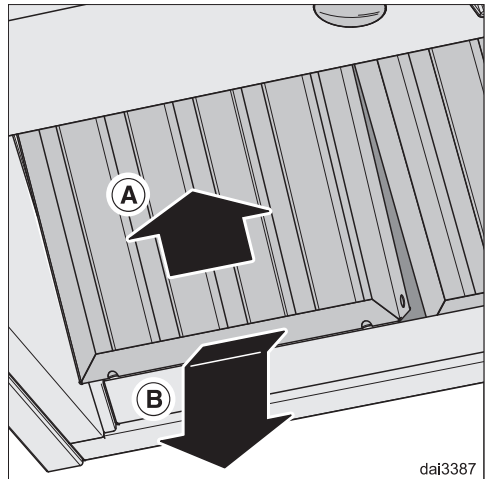
Do not use a stainless steel cleaner on these controls.

Baffle filtration

The stainless steel baffle filtration in the hood remove solid particles from the hood vented kitchen air (grease, dust, etc) and prevent soiling of the ventilation system.

The baffle filters should be cleaned every 3 - 4 weeks.

 A dirty filter is a fire hazard!



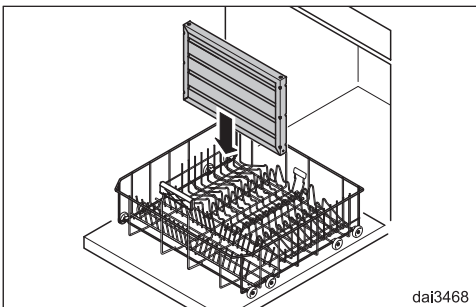
- Push the baffle filter slightly upwards **(A)**, pull the lower side out **(B)**, and remove the filter.

Support the baffle filter so that it does not fall and damage the cooktop.

The OdorFree charcoal filters mounted in back of the baffle filters should be removed before cleaning (see "OdorFree charcoal filters").

Cleaning and Care

Cleaning the baffle filters

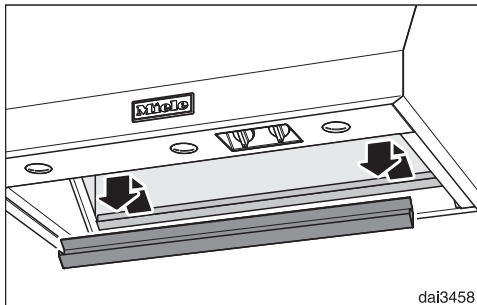


- **In a dishwasher:** place the filter vertically in the lower basket, making sure that the spray arm is not blocked.

Use a wash program with a max. temperature of 150°F (65°C). In a Miele dishwasher use either the "Normal" or "Grates and Filters" program.

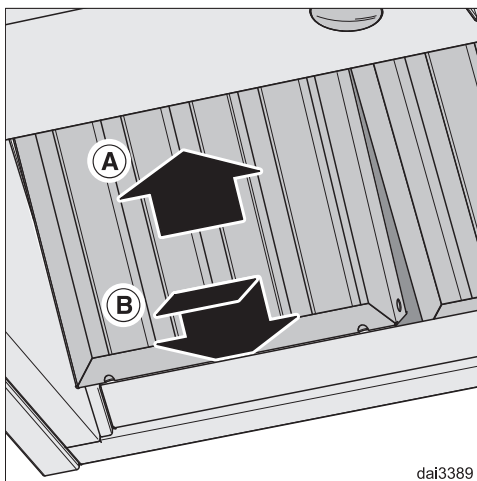
Use the recommended amount of dishwasher detergent. Overuse could destroy the filter.

- **By hand:** use a sponge with a solution of warm water and liquid dish soap. Do not use the pure detergent, aggressive all purpose cleaners, oven sprays, abrasive cleaning agents or limescale removers. They could damage the filter.
- After cleaning, place the filters on a towel to air dry.
- While the filters are removed, clean any dirt or grease from the filter casing.



- The bottom lip that the baffle filter sits on serves as a grease collecting tray that can be removed for cleaning. To do this simply pull it upwards.

The grease collecting tray of 30" models can be cleaned in the dishwasher.



- Reinsert the baffle filters by pushing the filter upwards (A) then pushing it in (B).

OdorFree charcoal filters

A recirculation kit is required to use the ventilation system in air recirculation mode.

DAR 1220: DRUU 30

DAR 1230: DRUU 36

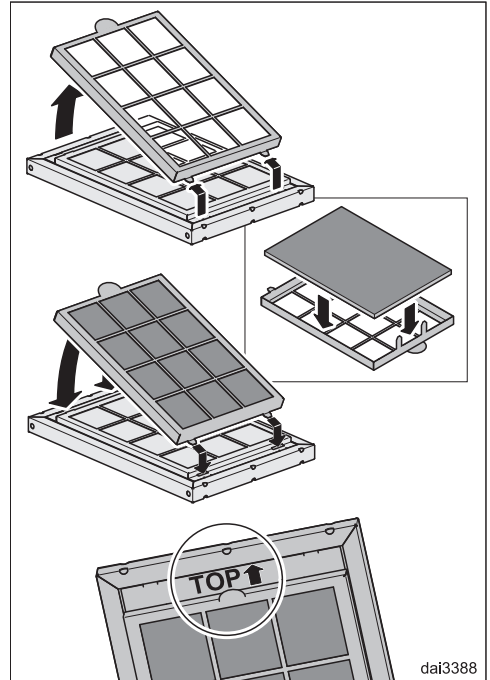
For recirculation mode the OdorFree charcoal filters must be used in addition to the baffle filters. The OdorFree charcoal filters are designed to absorb cooking odors.

The OdorFree charcoal filters are installed behind the baffle filters.

Replacement OdorFree charcoal filters can be ordered from Miele.
DAR 1220: DKF 23-1
DAR 1230: DKF 24-1

Replacing the OdorFree charcoal filters

- To install or replace the OdorFree charcoal filters, the baffle filters must first be removed as described in the previous section.
- Remove the filters from the packaging.



- Open the filter housing.
- Insert the OdorFree charcoal filter.
- Repeat these steps for each filter.
- Replace the baffle filters.
(Be sure the arrow on the back of the filter faces upwards.)

Replace the OdorFree charcoal filters every 6 months or when it is no longer absorbing cooking odors.

- Used filters may be discarded with the household waste.

After Sales Service

Repairs

In the event of a fault which you cannot easily fix yourself, please contact the Miele Technical Service Department.

- When contacting the Technical Service Department, please quote the model and serial number of your appliance.

These are shown on the data plate.

MieleCare

(USA only)

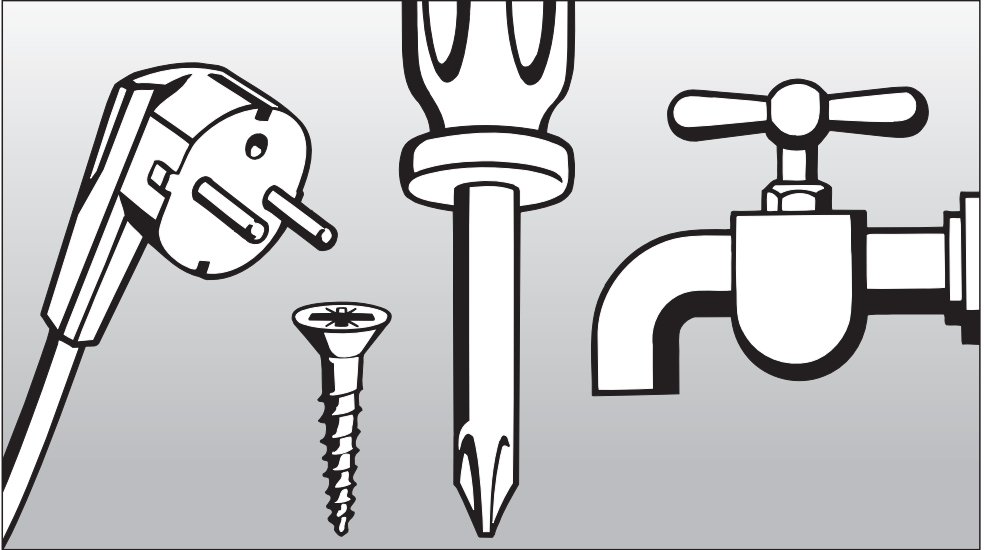
MieleCare, our Extended Service Contract program, gives you the assurance of knowing that your appliance investment is covered by 5 years of worry free ownership.

MieleCare is the only Extended Service Contract in the industry that guarantees repairs by a Miele Authorized Service Provider using genuine Miele parts. Only genuine Miele parts installed by factory trained professionals can guarantee the safety, reliability, and longevity of your Miele appliance.

Please note that unless expressly approved in writing by Miele's Service department, Extended Service Contracts offered by other providers for Miele products will not be recognized by Miele. Our goal is to prevent unauthorized (and untrained) service personnel from working on your Miele products, possibly doing further damage to them, you and/or your home.

To learn more about **MieleCare** Extended Service Contracts, please contact your appliance dealer or visit us online at:

<http://mieleusa.com/mielecare>



Installation Instructions

Read these instructions and the "Important Safety Instructions" before installing this ventilation system.

The installation steps are described in the enclosed "Installation Diagram".

Leave these instructions with the appliance for the consumer/user.

Information is subject to change. Please refer to our website to obtain the most current product specification, technical & warranty information.

Caring for the environment

Disposal of packing material

The cardboard box and packing materials protect the appliance during shipping. They have been designed to be biodegradable and recyclable. Please recycle.



DANGER

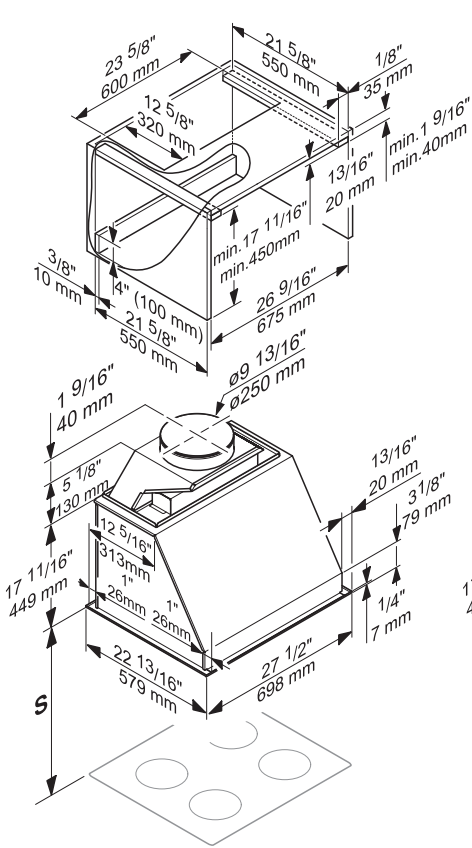
Ensure that any plastic wrappings, bags, etc., are disposed of safely and kept out of the reach of babies and young children. Danger of suffocation!

Disposal of an old appliance

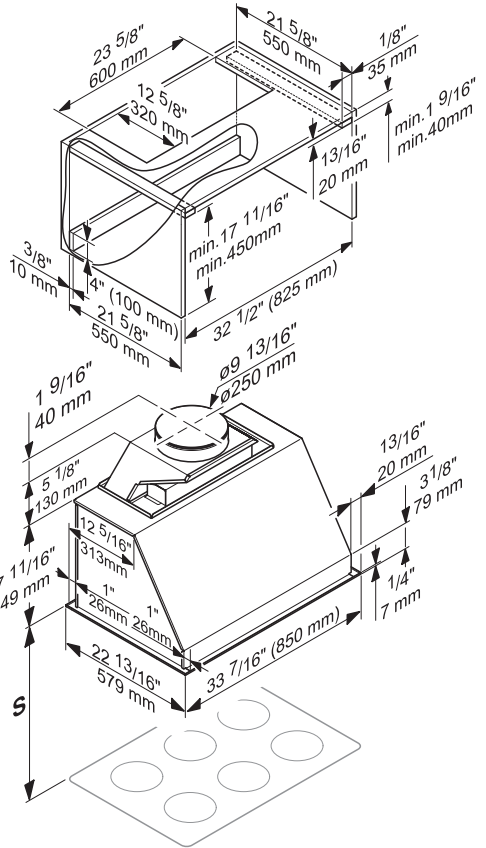
Old appliances may contain materials that can be recycled. Please contact your local recycling center about the possibility of recycling these materials.

Before discarding an old appliance, disconnect it from the electrical supply and cut off the power cord to prevent it from becoming a hazard.

Appliance dimensions

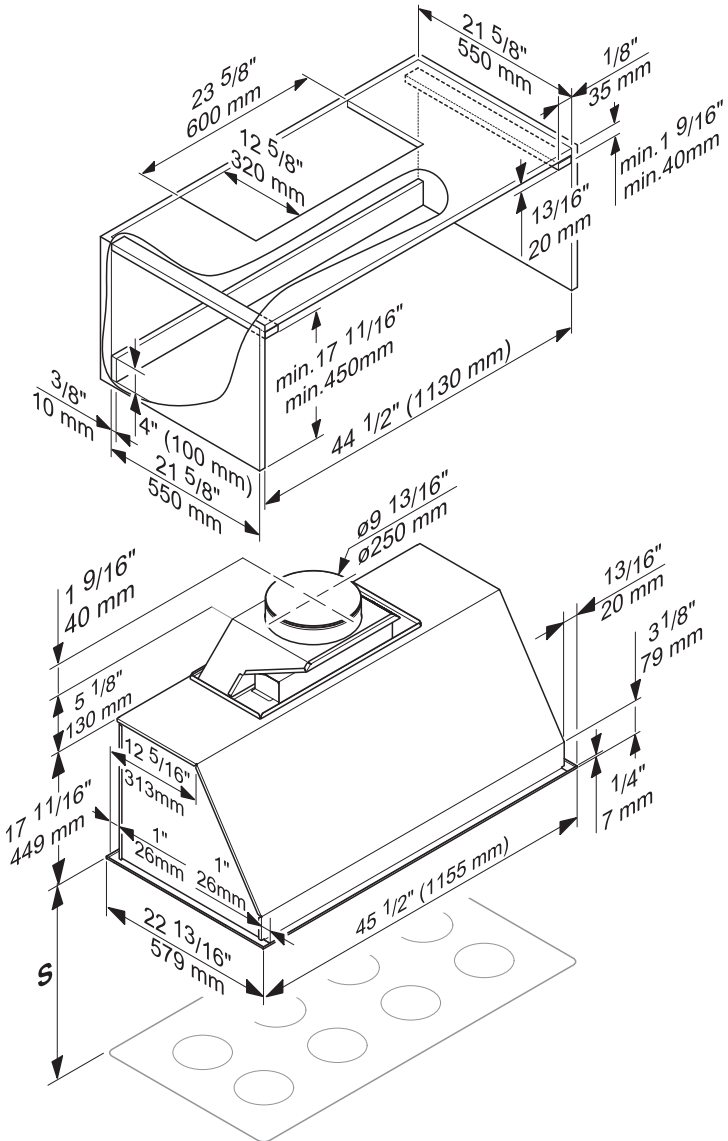


Miele
DAR 1120



Miele
DAR 1130

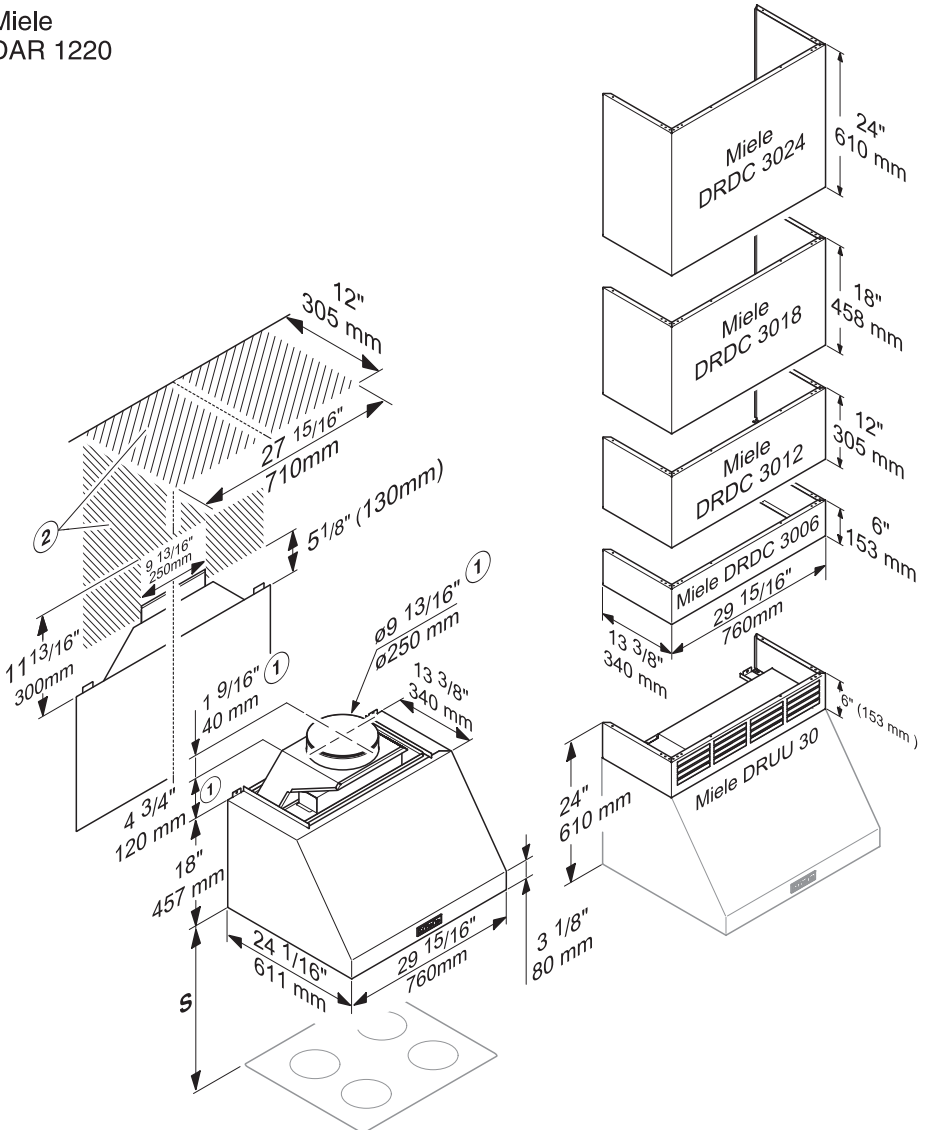
Appliance dimensions



Miele
DAR 1150

Appliance dimensions

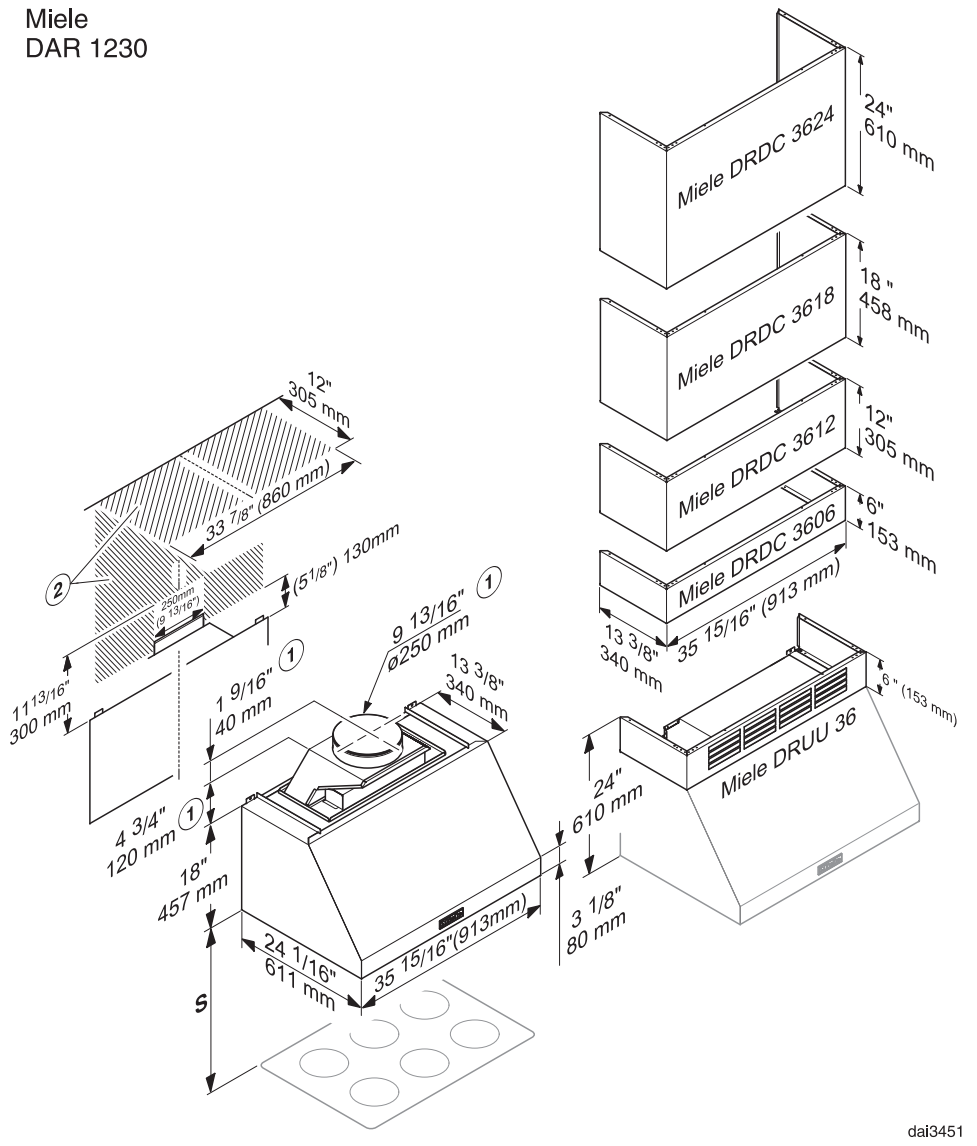
Miele
DAR 1220



dai3450

Appliance dimensions

Miele
DAR 1230



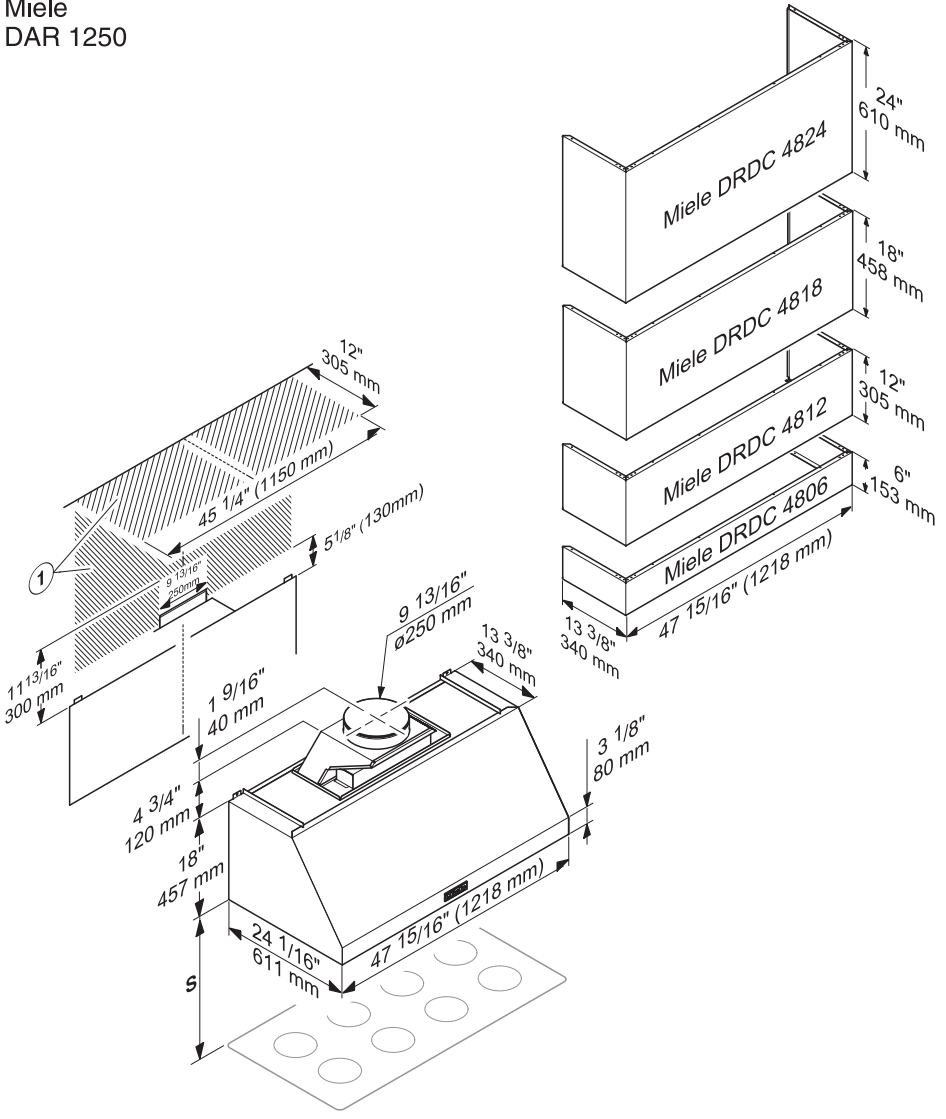
dai3451

① The hood with exhaust collar is only used in air venting mode with an internal or external blower.

② Installation area; Wall/ceiling area respectively for vent hole and outlet installation. For recirculation mode only the outlet installation is required.

Appliance dimensions

Miele
DAR 1250



dai3452

① Installation area; Wall/ceiling area respectively for vent hole and outlet installation.

Appliance dimensions

Distance between cooktop and hood (S)

Do not install this exhaust hood over cooktops burning solid fuel.

Observe the cooktop manufacturer's instructions when determining the distance between cooktop and lower edge of the hood.
Unless the instructions require a greater distance, the adjacent minimum safety distances apply for Miele cooktops.

- If several gas surfaces are installed under the hood, the total output must be considered when determining the minimum safety distance.
- Be sure to follow the minimum safety distances given by the gas cooktop manufacturer to easily flammable materials e.g. upper cabinets.
- If local building codes require a greater safety distance, follow their requirement.
- If there is more than one appliance beneath the hood and they have different minimum safety distances always select the greater distance.

See "Important Safety Instructions" for further information.

- To ensure free access to work under the ventilation hood, a distance of a minimum of 26" (660 mm) above the electric cooktop is also recommended.
- Take the user's body height into consideration when selecting the installation height. Adequate work space at the cooktop and optimal operation of the ventilation system should be ensured.
- However, the greater the distance from the cooktop, the less effectively cooking odors are drawn in.

Appliance dimensions

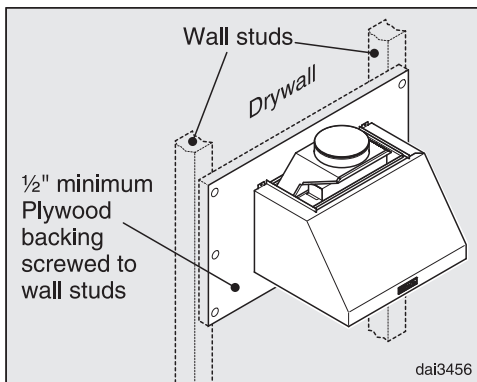
	Distance between cooktop and hood (S)			
Miele Range Wall / Insert Hood	DAR 1120, DAR 1220 (30")	DAR 1130, DAR 1230 (36")		DAR 1150, DAR 1250 (48")
Internal / External blowers	DRIB/DREB XL (700 cfm)	DRIB/DREB XL (700 cfm)	DRIB/DREB XXL (1100 cfm)	DRIB/DREB XXL (1100 cfm)
Miele Electric Cooktops	24" (610 mm)			
Miele Electric Barbeques and Fryers	26" (660 mm)			
Miele Multiburner Gas cooktops ≤ 43,000 BTU/hr (12.6 kW) and no burner >19,800 BTU/hr (5.8 kW)	26" (660 mm)			
Miele Multiburner Gas cooktops > 43,000 BTU/hr (12.6 kW) ≤ 92,200 BTU/hr (27 kW) and no burner >19,800 BTU/hr (5.8 kW)	30" (760 mm)			
Miele Multiburner Gas cooktops > 92,200 BTU/hr (27 kW) ≤ 112,600 BTU/hr (33 kW) and no burner >19,800 BTU/hr (5.8 kW)	not possible	36" (910 mm)	30" (760 mm)	
Miele Multiburner Gas cooktops > 112,600 BTU/hr (33 kW) ≤ 142,600 BTU/hr (41.8 kW) and no burner >19,800 BTU/hr (5.8 kW)	not possible		36" (910 mm)	
Miele Multiburner Gas cooktops > 142,600 BTU/hr (41.8 kW)	not possible			
Miele Multiburner Gas cooktops one of the burners >19,800 BTU/hr (5.8 kW)	not possible			
Miele Single burner (Wok) ≤ 20,500 BTU/hr (6 kW)	26" (660 mm)			
Miele Single burner (Wok) > 20,500 BTU/hr (6 kW) ≤ 27,600 BTU/hr (8.1 kW)	30" (760 mm)			
Miele Single burner (Wok) > 27,600 BTU/hr (8.1 kW)	not possible			

Plywood backing

The majority of the weight of the installed ventilation system will be supported by the retaining plate. It must be firmly attached to the stud framing **behind** the drywall. If studs are not available in the required locations, a plywood backing (min. ½" (13 mm) thick) spanning at least two studs **must** be installed. Failure to adequately support the weight as stated may result in the ventilation system falling off the wall, causing personal injury and property damage.

(If plywood backing is not needed, proceed to the included "Installation diagram".)

To install a plywood backing



- Determine and mark the location for the canopy as outlined in "Appliance dimensions".
- Make a cutting line 3" (76 mm) above and 3" (76 mm) below the outline of the retaining plate.

- Find the studs to the left and right of the mounting location by tapping the wall or using a stud finder.
- Mark a vertical cutting line along the center of each stud.

CAUTION

When cutting or drilling into the wall or ceiling, do not damage electrical wiring and other hidden utilities.

- Remove the drywall between the cutting lines and replace it with plywood of a matching thickness (min. ½" (13 mm) thick). Tape the joints and refinish the wall.
- Proceed to the enclosed "Installation diagram" to complete the installation.

Before installation read the information in the "Dimensions" and "Important Safety Instruction" chapters.

Under certain conditions, there is a danger of poisonous fumes by when the ventilation system and a furnace drawing interior air run at the same time.

Installation instructions

The individual installation steps are described in the included Installation diagram.

Protective film

(stainless steel units)

The casing is covered with a protective film to prevent scratching during transport.

Please peel off the film before installing the casing parts. It can be removed without tools.

Air venting

WARNING

Danger of toxic fumes.

Gas cooking appliances release carbon monoxide that can be harmful or fatal if inhaled.

To reduce the risk of fire and to properly exhaust air, the exhaust gases extracted by the hood should be vented outside of the building only.

Do not vent exhaust air into spaces within walls or ceilings or in attics, crawl spaces or garages.

To reduce the risk of fire, only use metal ductwork.

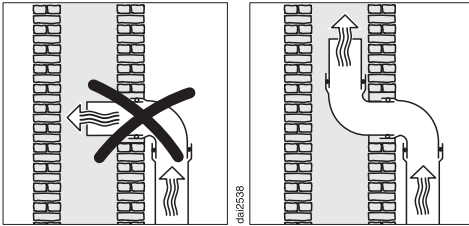
Please read and follow the **"IMPORTANT SAFETY INSTRUCTIONS"** to reduce the risk of personal injury. Follow all local building codes when installing the hood.

Exhaust ducting and connections

Use smooth or flexible pipework made from approved non-flammable materials for exhaust ducting.

To achieve the most efficient air extraction and quietest noise levels, consider the following:

- The diameter of the ductwork should not be less than 8" (203 mm) with DRIB/DREB XL and 10" (254 mm) with DRIB/DREB XXL.
- If flat ducting is used, the cross section must not be smaller than the cross section of the ventilation exhaust.
- The ducting should be as short and straight as possible.
- Use ductwork with a wide radius.
- The exhaust duct must not be bent or compressed.
- Make sure all connections are secure.
- Where the ductwork is horizontal, it must slope away from the hood at least $\frac{1}{8}$ " per foot (1 cm per meter) to prevent condensation dripping into the appliance.



- If the exhaust is ducted into an inactive flue, the air must be expelled parallel to the flow direction of the flue.

Never connect an exhaust hood to an active chimney, dryer vent, flue, or room venting ductwork. Seek professional advice before connecting an exhaust hood vent to an existing, inactive chimney or vent flue.

Important

If the ductwork runs through rooms, ceilings, garages, etc. where temperature variations exist, it may need to be insulated to reduce condensation.

Electrical connection

⚠ WARNING
TO REDUCE THE RISK OF
FIRE, ELECTRIC SHOCK, OR
INJURY TO PERSONS,
OBSERVE THE FOLLOWING:

All electrical work should be performed by a qualified electrician in strict accordance with national regulations (for USA: ANSI-NFPA 70) and local safety regulations. Installation, repairs and other work by unqualified persons could be dangerous. Ensure that power to the appliance is OFF while installation or repair work is performed.

- Verify that the voltage, load and circuit rating information found on the data plate (located behind the baffle filters), match the household electrical supply before installing the hood.
- Use only with ventilation hood cord-connection kits that have been investigated and found acceptable for use with this model hood.

If there is any question concerning the electrical connection of this appliance to your power supply, please consult a licensed electrician or call Miele's Technical Service Department.

⚠ WARNING:
THIS APPLIANCE MUST BE
GROUNDING

Grounding Instructions

This appliance must be grounded. In the event of an electrical short circuit, grounding reduces the risk of electric shock by providing a path of least resistance. This appliance is equipped with a cord having a grounding wire with a grounding plug. The plug must be plugged into an outlet that is properly installed and grounded.

WARNING - Improper grounding can result in a risk of electric shock.

If there is any doubt, have the electrical system of the house checked by a qualified electrician.

Do not use an extension cord. If the power supply cord is too short, have a qualified electrician install an outlet near the appliance.

Important

The hood comes equipped with a power cord with a NEMA 5-15 molded plug for connection to a 120 VAC, 60 Hz, 15 A power outlet.

Technical data

Total connected load	Weight
DAR 1120, DAR 1220 with DRIB XL or DREB XL 621 W	DAR 1120 with DRIB XL 59.6 lbs (27.1 kg)
DAR 1130, DAR 1230 with DRIB XL or DREB XL 624 W	DAR 1220 with DRIB XL 83.8 lbs (38.1 kg)
DAR 1130, DAR 1230 with DRIB XXL or DREB XXL 809 W	DAR 1130 with DRIB XL 66.2 lbs (30.1 kg)
DAR 1150, DAR 1250 with DRIB XXL or DREB XXL 812 W	DAR 1130 with DRIB XXL 66.7 lbs (30.3 kg)
Overhead lights	DAR 1230 with DRIB XL 97 lbs (44.1 kg)
DAR 1120, DAR 1220 2 x 3 W	DAR 1230 with DRIB XXL 97.5 lbs (44.3 kg)
DAR 1130, DAR 1230 3 x 3 W	DAR 1150 with DRIB XXL 79.9 lbs (36.3 kg)
DAR 1150, DAR 1250 4 x 3 W	DAR 1250 with DRIB XXL 130.5 lbs (59.3 kg)
Power supply voltage 120 V	
Frequency 60 Hz	
Circuit rating 15 A	
Length of power cord . . . 2.5 ft (0.75 m)	

Please have the model and serial number of your appliance available before contacting Technical Service.

The Miele logo is displayed in a bold, white, serif font against a solid black rectangular background.

**U.S.A.
Miele, Inc.**

National Headquarters

9 Independence Way
Princeton, NJ 08540
Phone: 800-843-7231
609-419-9898
Fax: 609-419-4298
www.mieleusa.com

**Technical Service & Support
Nationwide**

Phone: 800-999-1360
Fax: 888-586-8056

TechnicalService@mieleusa.com

**Canada
Miele Limited**

Headquarters and Showroom

161 Four Valley Drive
Vaughan, ON L4K 4V8
Phone: 800-643-5381
905-660-9936
Fax: 905-532-2290
www.miele.ca
professional@miele.ca
(commercial enquiries)

MieleCare National Service

Phone: 800-565-6435
905-532-2272
Fax: 905-532-2292
customercare@miele.ca
(general and technical enquiries)

Germany

Miele & Cie. KG
Carl-Miele-Straße 29
33332 Gütersloh

DAR 1120, 1130, 1150
DAR 1220, 1230, 1250