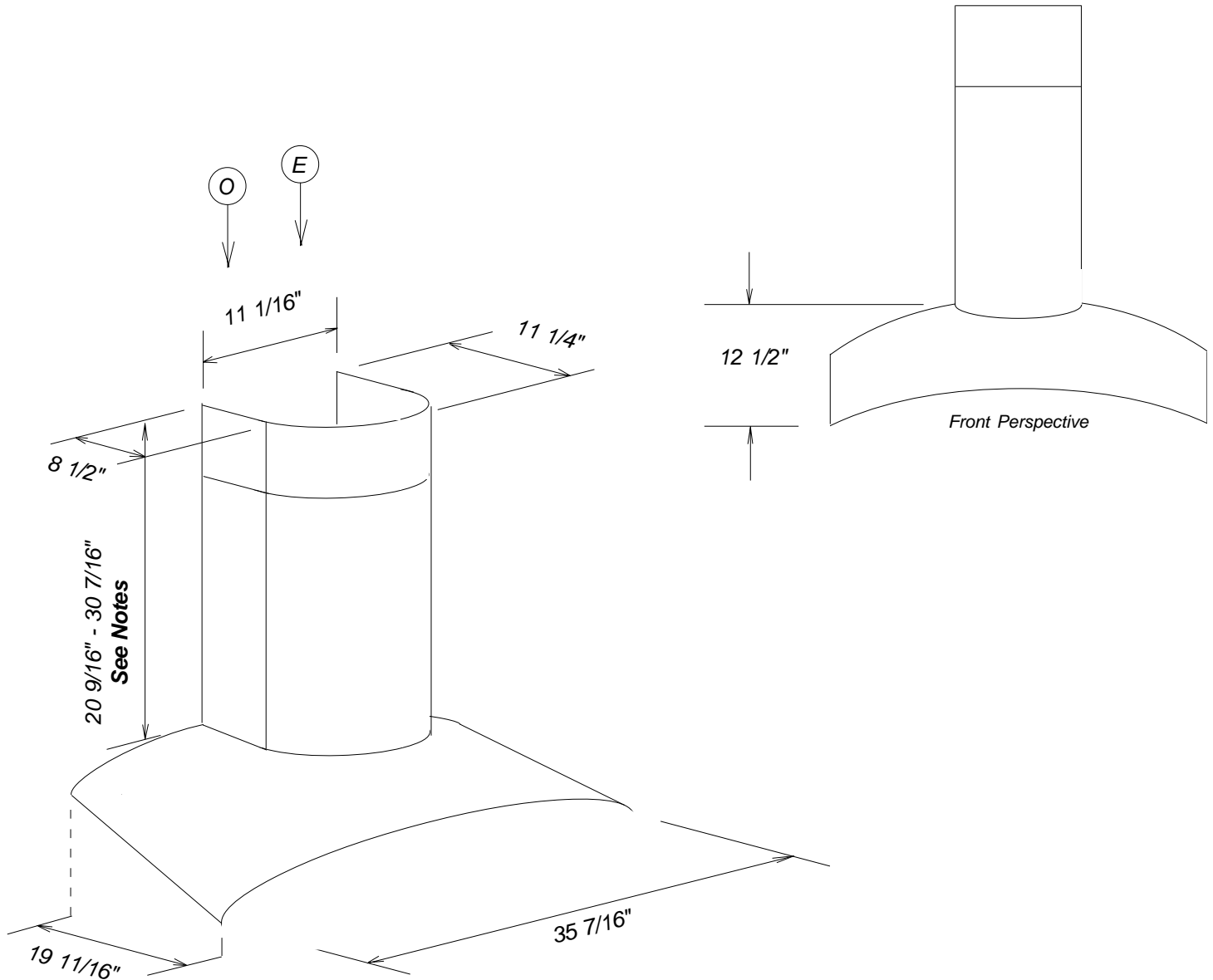


# Product Dimensions

## Decorator Wall Hood

### DA249-4



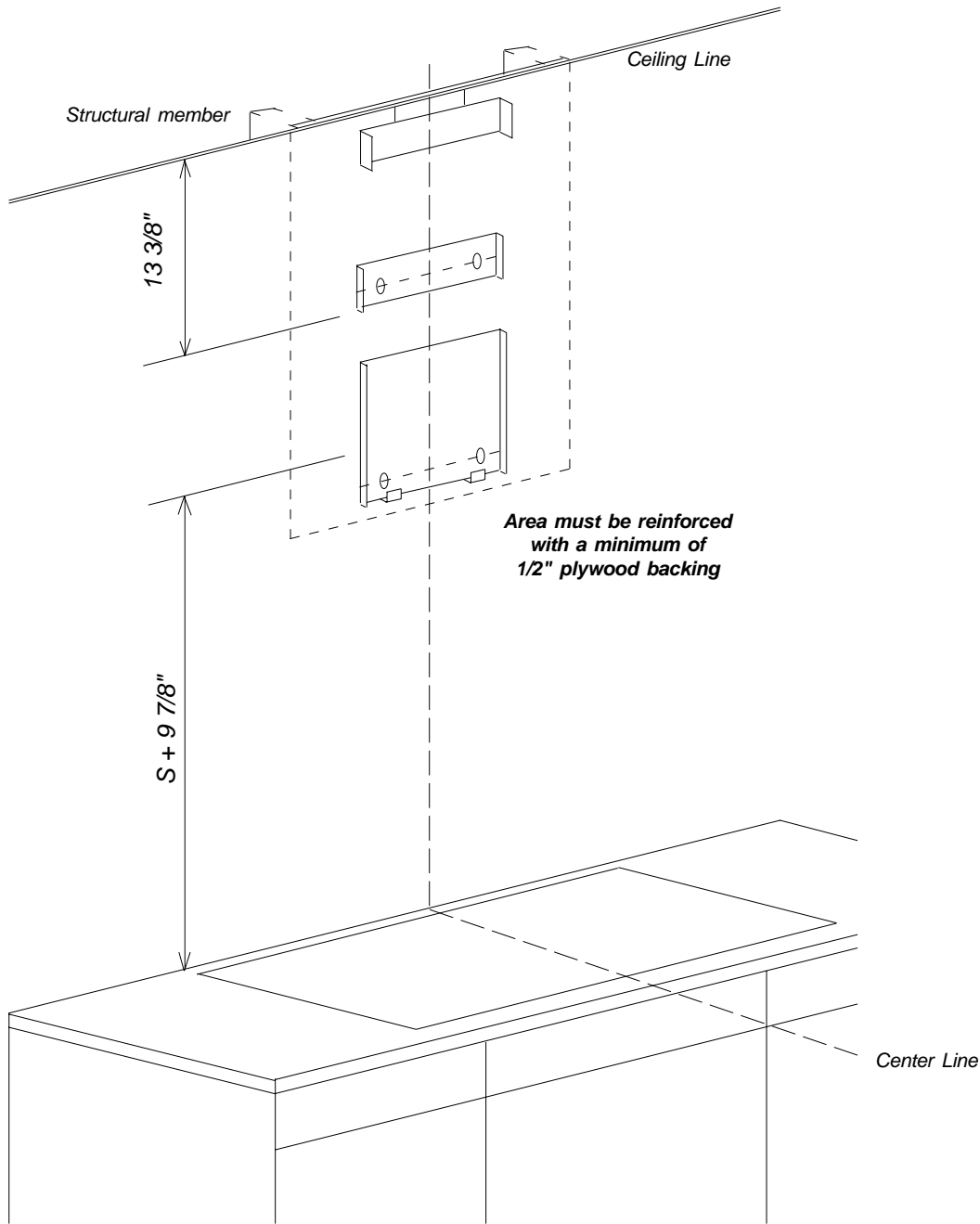
Location Codes
<p><i>E</i> - 110 Volt - 15 Amp 3-wire power supply connects through top or rear of chimney.</p> <p><i>O</i> - Standard 110 Volt Outlet</p>
Notes
<ul style="list-style-type: none"> <li>• All installations must be done in accordance with local codes.</li> <li>• Recirculation: <math>25 \frac{5}{16}</math>" - <math>34 \frac{3}{8}</math>"</li> <li>• 6" duct connects to blower system inside chimney.</li> </ul>

NOTE: Drawing is not to scale.  
SPECIFICATION SHEETS 010405

# Installation Dimensions

## Decorator Wall Hoods

### DA249-4



Notes
<ul style="list-style-type: none"><li>• Center unit over cooking surface</li><li>• Distance "S" is determined by the cooking surface. Minimum distance "S" is:<ul style="list-style-type: none"><li>- 18" for electric surfaces</li><li>- 26" for gas surfaces</li></ul></li><li>• Area behind mounting plates <b>MUST</b> be reinforced using a minimum of 1/2" plywood. Reinforcing material should be affixed to structural wall members</li></ul>