

Décor Island Ventilation Hood

DA 390-6



Décor Island Ventilation Hood

DA 390-6



FEATURES

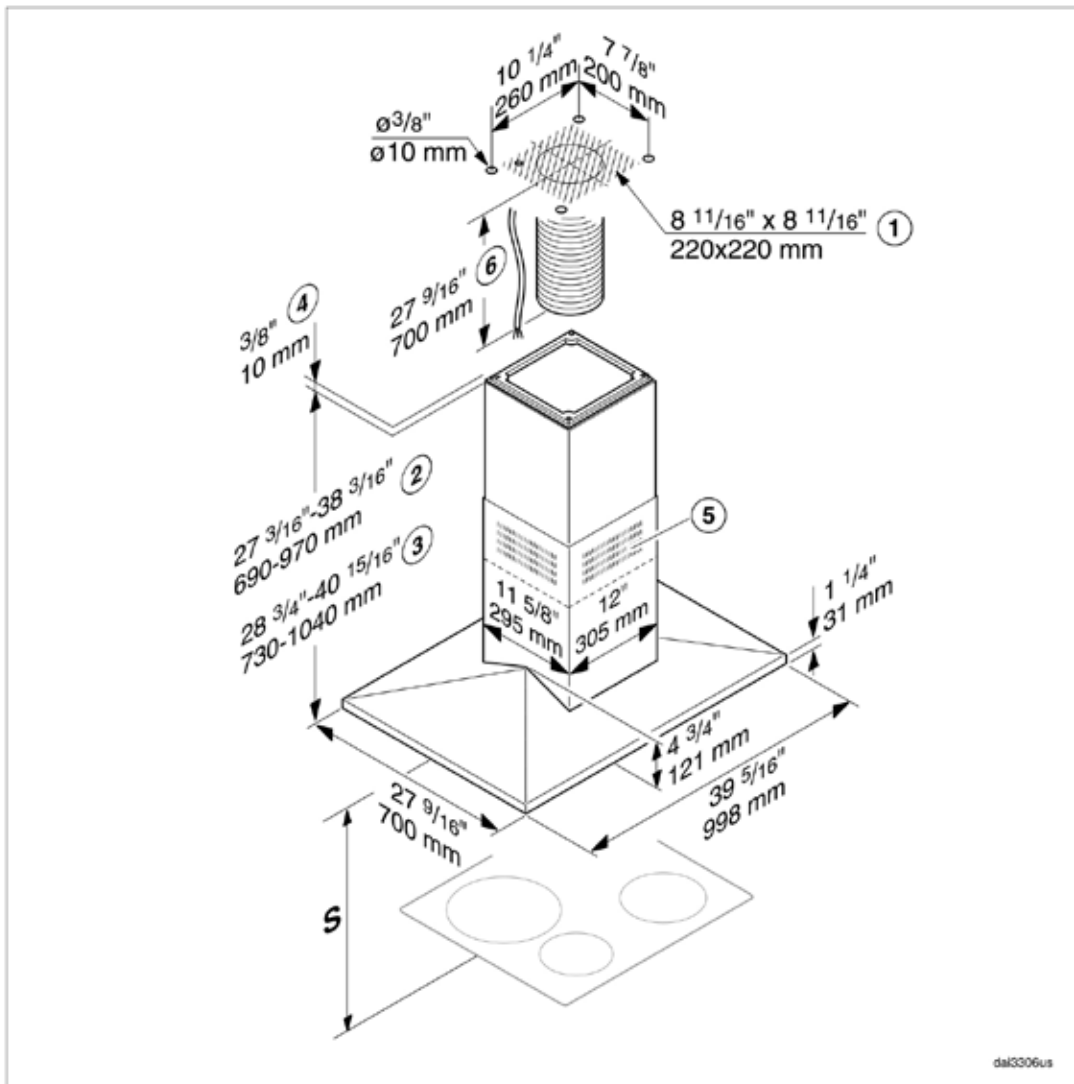
- NEW: Front mounted backlit controls
- NEW: Telescopic chimney
- Four fan speeds (incl. intensive)
- Dishwasher-safe metal filters
- Polished stainless steel logo
- Stainless steel finish or RAL color options

SPECIFICATIONS

DA 390-6 — Item 28390655USA

Vented or Recirculating	625 CFM setting
Canopy Dimensions	39 ⁵ / ₁₆ " (998 mm) W x 4 ³ / ₄ " (121 mm) H x 27 ⁹ / ₁₆ " (700 mm) D
Dimensions (Standard Height) - Vented	27 ³ / ₁₆ " — 38 ³ / ₁₆ " (690—970mm) H
Dimensions (Standard Height) - Recirculating	28 ³ / ₄ " — 40 ¹⁵ / ₁₆ " (730—1040mm) H
Chimney Dimensions	12" (305mm) W x 11 ⁵ / ₈ " (295mm) D
Minimum distance above cooktop	Please refer to page 26 of the installation manual
Color	Available in brushed stainless steel or RAL colors
Electrical	
Electrical Requirements	120 V, 60 Hz, 15 Amps
Electrical Rating	430 W (Blower: 350 W; Lighting: 4x20 W)
Optional Accessories	
Recirculating Kit	DUI 32 Recirculating Kit
OdorFree Charcoal Filter	DKF 12-1 OdorFree Charcoal Filter
Reducing Collar (air flow max. 400 CFM)	
Shipping	
Shipping Weight	81.4 lbs (37kg)
Support	
Call	800.843.7231
20/20	©2020technologies.com

PRODUCT VIEWS



- ① Mounting area for the exhaust ducting and power cable. In recirculation mode, only the power cord is required.
- ② Possible height range for appliance in vented mode
- ③ Possible height range for appliance in recirculation mode
- ④ Alternative installation with spacer frame
- ⑤ Air vent positioned at the top for recirculation