

Condenser Tumble Dryer

T 8033 C



Condenser Tumble Dryer T 8033 C



FEATURES

- European standard capacity
- Honeycomb Drum™ with interior light
- Electronic moisture monitoring
- Buzzer on/off
- Anti-creasing after program end
- RemoteVision™ capable
- Standard programs: Normal, Wrinkle-Free, Woolens, Smooth, Sturdy, Fluff, 20 minute, 45 minute
- Program options: Turbo, Full Load, Gentle

SPECIFICATIONS

T 8033 C - Item 12803311USA

Overall Unit Width	23 ¹ / ₂ " (597 mm)
Overall Unit Height	33 ³ / ₈ " - 34 ¹ / ₈ " (848 - 867 mm)
Overall Unit Depth	21 ¹ / ₂ " (546 mm)

Niche

Minimum Cabinet Opening Width	24" (610mm)
Minimum Cabinet Opening Height	32 ³ / ₈ " - 35 ¹ / ₄ " (822 - 895 mm)
Minimum Cabinet Opening Depth	24" (610mm)

Plumbing

Drain Hose	5 ft (1.5 m) flexible drain hose is supplied. 5 ft (1.5 m) maximum delivery height. 13 ft (4 m) maximum run length.
------------	---

Electrical

Electrical Requirements - Volts/Amps	120/208-240V, 60Hz, 30 Amps
Power Cord - Plug and length	NEMA 14-30 plug, 5 ft (1.5 m)

Shipping

Shipping Weight	130 lbs (59 kg)
Shipping Dimensions	26" (660 mm) W x 34 ⁷ / ₁₆ " (847 mm) H x 26" (660 mm) D

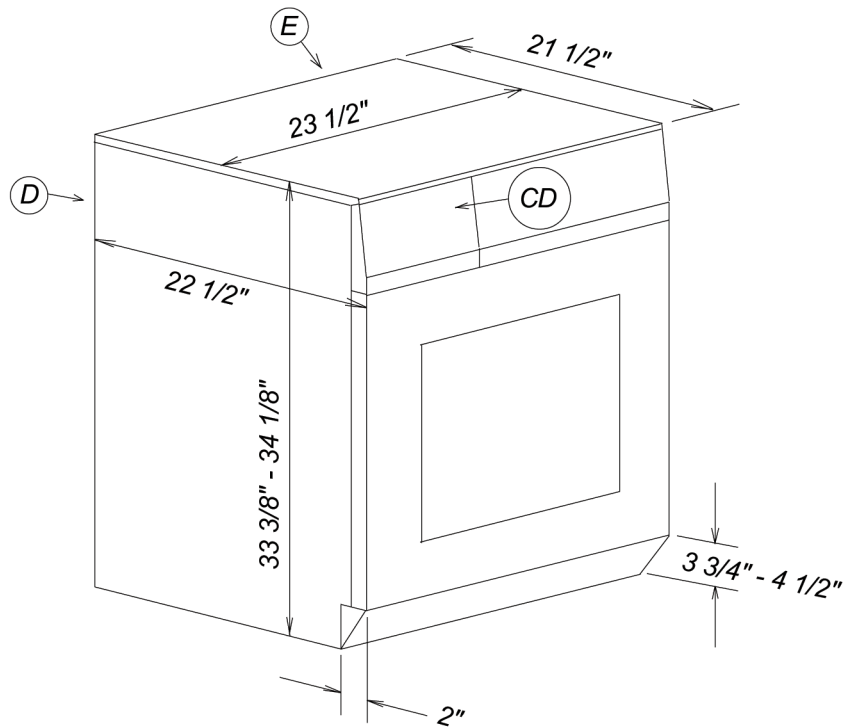
Support

Call Miele	800.843.7231
Miele Website	www.mieleusa.com

Condenser Tumble Dryer T 8033 C



PRODUCT VIEW



Location Codes

- CD - Condensate Container
- D - Drain Line [5 ft (1.5 m)]
- E - 120/208-240 Volt, 30 Amp 5 ft (1.5 m) molded NEMA 147-30 plug.
Connects from upper left rear

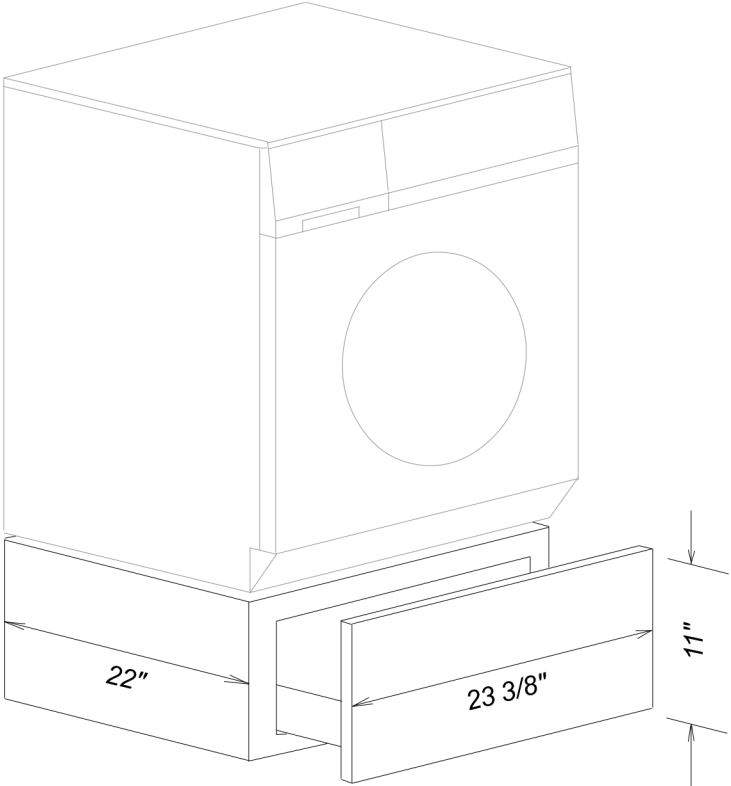
Notes

- **All installations must be done in accordance with local codes**
- See "Cut-out Dimensions" sheet for undercounter or built-in space requirements

Condenser Tumble Dryer T 8033



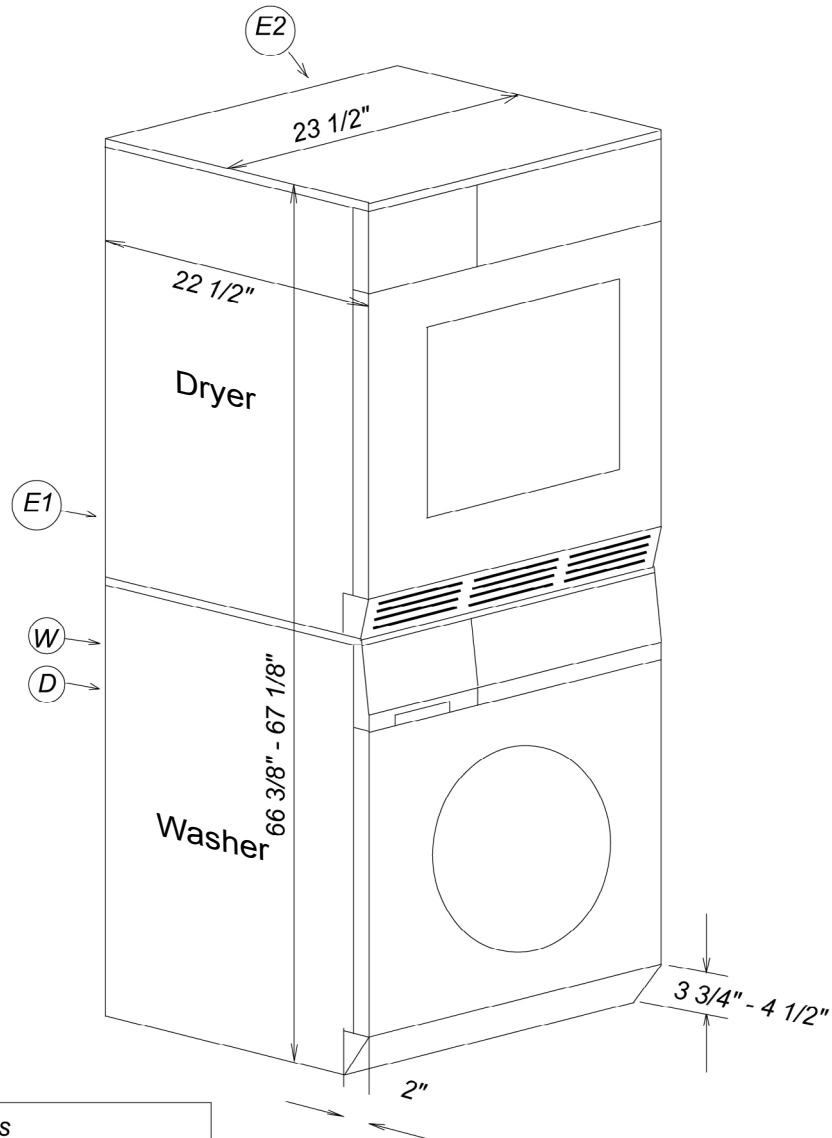
PRODUCT VIEW WITH WTS410
STAND



Condenser Tumble Dryer T 8033



PRODUCT VIEW WITH WTV407
STACKING KIT

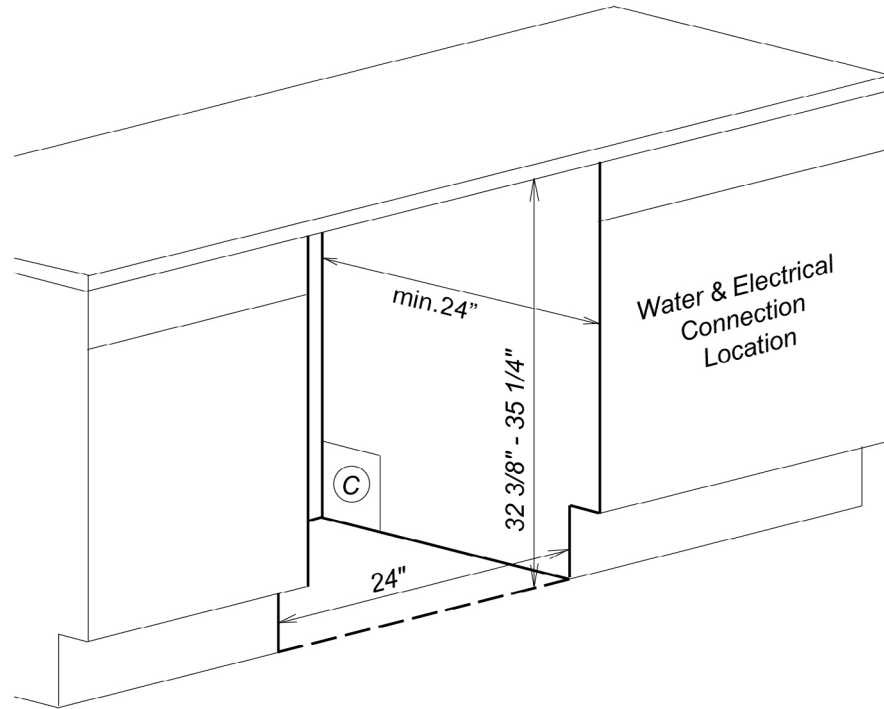


Location Codes	
D	- 5 ft (1.5 m) flexible drain hose connects upper left rear.
E1	- 120 Volt, 15 Amp 5 ft (1.5 m) molded NEMA 5-15 plug. Connects from upper right rear
E2	- 120/208-240 Volt, 30 Amp 5 ft (1.5 m) molded NEMA 147-30 plug. Connects from upper right rear
W	- 5 ft (1.5 m) separate flexible hot and cold water intake hoses. Connects from upper left rear

Condenser Tumble Dryer T 8033



INSTALLATION



Location Codes
C - Cutout for Electric and Drain pass-through. Adjust according to drain location

Notes
• Typically requires removal of unit's lid. Out of box unit height dimension without lid is 32 5/16" - 32 11/16".