

Washing Machine

W 3048



Washing Machine W 3048



FEATURES

- European standard capacity
- Honeycomb Drum™ with interior light
- Large LCD screen
- Buzzer on/off
- WaterProof system
- 6 spin speeds
- **Standard Wash Programs:** Normal, Wrinkle-Free, Sanitize, Hand Wash, Woolens, Silk, Custom
- **Specialty Wash Programs:** Extra White, Delicates, Denim/Jeans, Dress Shirts, Pillows, Outerwear, Table Linens, Beach Towels, Express, Drain/Spin, Quick Rinse
- **Program Options:** Extended, Heavy Soil (pre-wash), Sensitive (extra rinse)

SPECIFICATIONS

W 3048 - Item 11304811USA

Overall Unit Width	23 ¹ / ₂ " (597 mm)
Overall Unit Height	33 ³ / ₈ " - 34 ¹ / ₈ " (848 - 867 mm)
Overall Unit Depth	21 ¹ / ₂ " (546 mm)

Niche

Minimum Cabinet Opening Width	24" (610mm)
Minimum Cabinet Opening Height	32 ³ / ₈ " - 35 ¹ / ₄ " (822 - 895 mm)
Minimum Cabinet Opening Depth	24" (610mm)

Plumbing

Cold Water Supply Requirements	A Cold water supply is required. (Operation with Cold water only requires reprogramming of the machine - see manual) Must be connected to a shut-off valve with a male 3/4" GHT. The water shut-off valve must be accessible after installation. The water pressure must not exceed 145 psi (10 bar). If the pressure is higher than 145 psi (10 bar), a pressure reducing valve must be installed.
--------------------------------	---

Hot Water Supply Requirements	A hot water supply is optional. Hot water supply must not exceed 140°F/60°C. Preferred temperature is 131°F(55°C). Must be connected to a shut-off valve with a male 3/4" GHT. The water shut-off valve must be accessible after installation. The water pressure must not exceed 145 psi (10 bar). If the pressure is higher than 145 psi (10 bar), a pressure reducing valve must be installed.
-------------------------------	---

Water Connection Lines	Two(2) 5 ft (1.5 m) flexible water intake hoses with a 3/4 GHT are supplied.
------------------------	--

Drain Hose	5 ft (1.5 m) flexible drain hose is supplied. 4 ft (1.2 m) maximum delivery height. 16 ft (4.9 m) maximum run length.
------------	---

Electrical

Electrical Requirements - Volts/Amps	110V / 120V, 60Hz, 15 Amps
Power Cord - Plug and length	NEMA 5-15 plug, 5' (1.5 m)

Shipping

Shipping Weight	241 lbs (109 kg)
Shipping Dimensions	26" (660 mm) W x 34 ⁷ / ₁₆ " (847 mm) H x 26" (660 mm) D

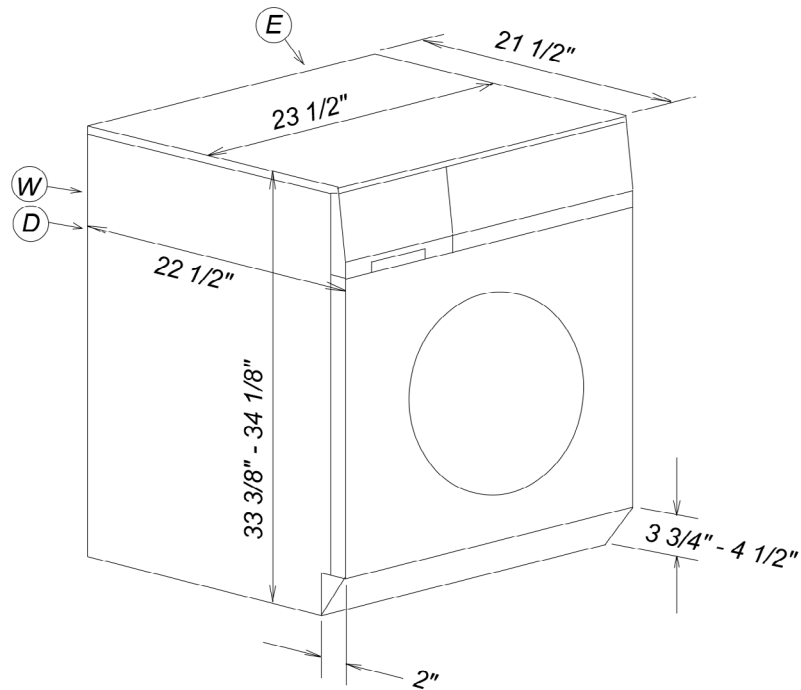
Support

Call Miele	800.843.7231
Miele Website	www.mieleusa.com

Washing Machine W 3048



PRODUCT VIEW



Location Codes

- D**- 5 ft (1.5 m) flexible drain hose connects upper left rear.
- E**- 120 Volt, 15 Amp 5 ft (1.5 m) molded NEMA 5-15 plug. Connects from upper right rear
- W**- 5 ft (1.5 m) separate flexible hot and cold water intake hoses. Connects from upper left rear

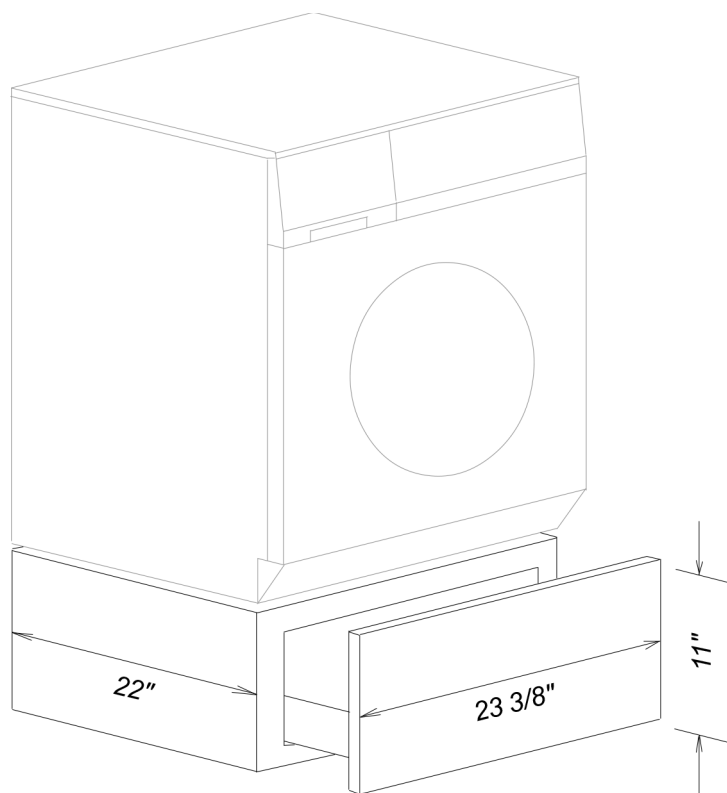
Notes

- **All installations must be done in accordance with local codes**
- See "Cut-out Dimensions" sheet for undercounter or built-in space requirements
- **Remove transport struts in rear of machine before installation.**

Washing Machine W 3048



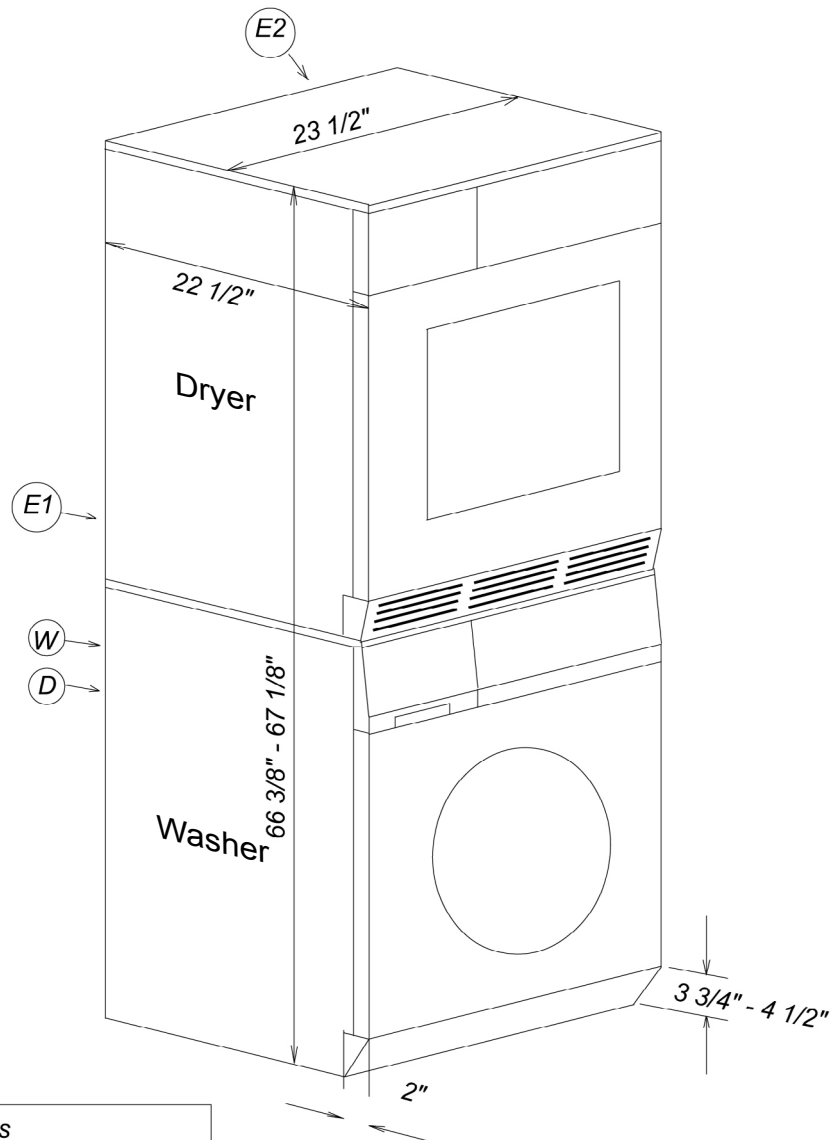
PRODUCT VIEW WITH WTS410
STAND



Washing Machine W 3048



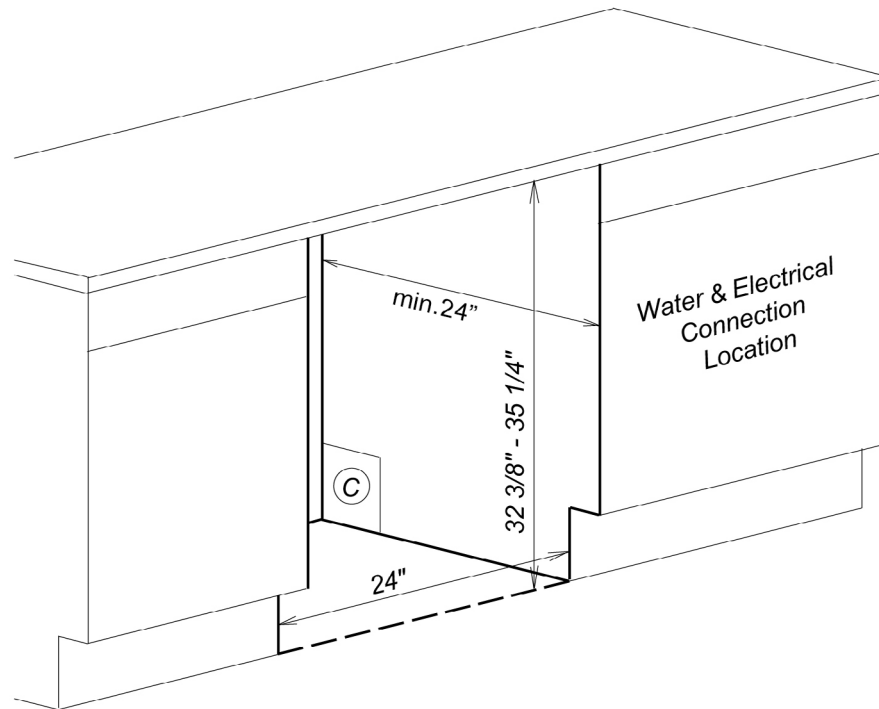
PRODUCT VIEW WITH WTV407
STACKING KIT



Location Codes

- D* - 5 ft (1.5 m) flexible drain hose connects upper left rear.
- E1* - 120 Volt, 15 Amp 5 ft (1.5 m) molded NEMA 5-15 plug. Connects from upper right rear
- E2* - 120/208-240 Volt, 30 Amp 5 ft (1.5 m) molded NEMA 147-30 plug. Connects from upper right rear
- W* - 5 ft (1.5 m) separate flexible hot and cold water intake hoses. Connects from upper left rear

INSTALLATION



Location Codes
C - Cutout for Electric and Drain pass-through. Adjust according to drain location

Notes
• Typically requires removal of unit's lid. Out of box unit height dimension without lid is 32 5/16" - 32 11/16".