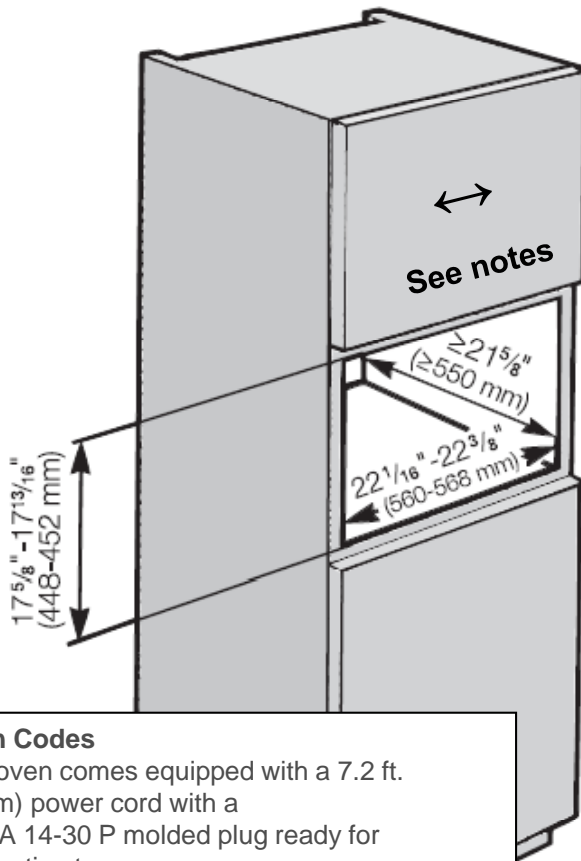
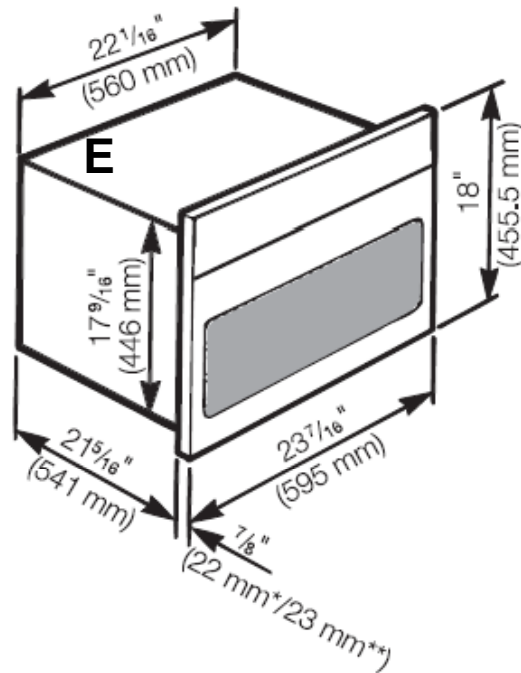


Product and Cut-out Dimensions Convection Microwave Oven

H 4044 Chef Series Classic Design with DS 4045 Signature Series Handle



Miele appliances can be installed flush or proud. Discuss your installation requirements with your architect, designer and installer.



Location Codes

E – The oven comes equipped with a 7.2 ft. (2.2 m) power cord with a NEMA 14-30 P molded plug ready for connection to a:
120/240V, 20 A, 60 Hz power supply
or
120/208V, 20 A, 60 Hz power supply.

O – 2 ½" ² minimum hole size for plug. Outlet to be installed in adjacent cabinetry

Notes

Width with optional Classic EBA Trim Kits:
22996178USA **EBA 5470** 27 3/8" Width
26" – 26 ¼" Cabinet Cutout
22996179USA **EBA 5476** **29 13/16" Width**
28 ¾" – 28 ½" Cabinet Cutout
Width with optional Europa EBA Trim Kits:
22996191USA **EBA 5570** 27 3/8" Width
26" – 26 ¼" Cabinet Cutout
22996192USA **EBA 5576** **29 13/16" Width**
28 ¾" – 28 ½" Cabinet Cutout

All installations must be done in accordance with local codes.

* Appliances with glass front

** Appliances with metal front

Please view page 4

Note: Drawing is not to scale

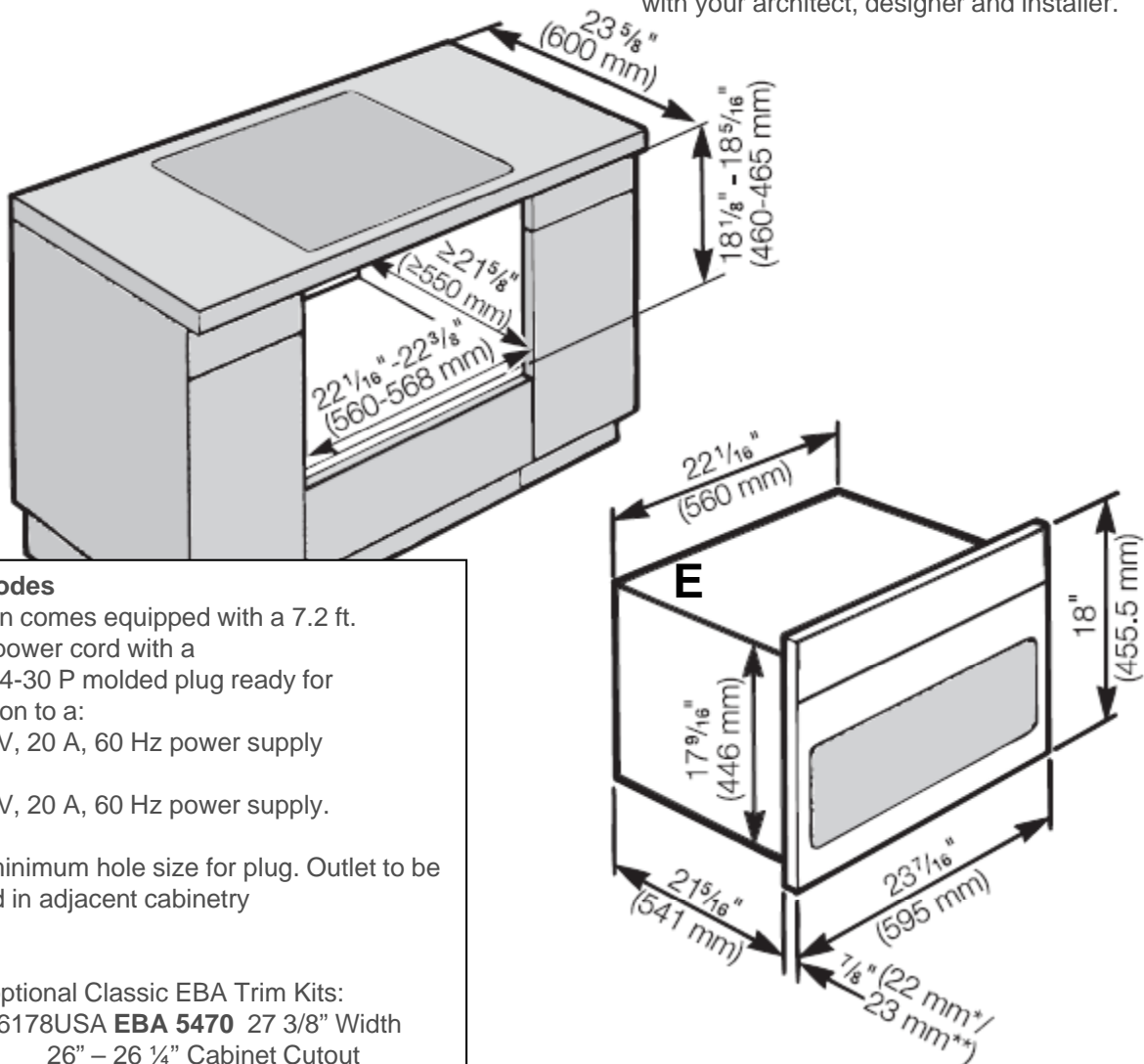
Specification Sheets OJS 11112011

Product and Cut-out Dimensions Convection Microwave Oven

H 4044 Chef Series Classic Design with DS 4045 Signature Series Handle

When installed under a cooktop regard the installation instructions and dimensions of the cooktop

Miele appliances can be installed flush or proud. Discuss your installation requirements with your architect, designer and installer.



Location Codes

E – The oven comes equipped with a 7.2 ft. (2.2 m) power cord with a NEMA 14-30 P molded plug ready for connection to a:
120/240V, 20 A, 60 Hz power supply
or
120/208V, 20 A, 60 Hz power supply.

O – 2 1/2" ² minimum hole size for plug. Outlet to be installed in adjacent cabinetry

Notes

Width with optional Classic EBA Trim Kits:
22996178USA **EBA 5470** 27 3/8" Width
26" – 26 1/4" Cabinet Cutout
22996179USA **EBA 5476** **29 13/16" Width**
28 3/4" – 28 1/2" Cabinet Cutout
Width with optional Europa EBA Trim Kits:
22996191USA **EBA 5570** 27 3/8" Width
26" – 26 1/4" Cabinet Cutout
22996192USA **EBA 5576** **29 13/16" Width**
28 3/4" – 28 1/2" Cabinet Cutout

All installations must be done in accordance with local codes.

* Appliances with glass front

** Appliances with metal front

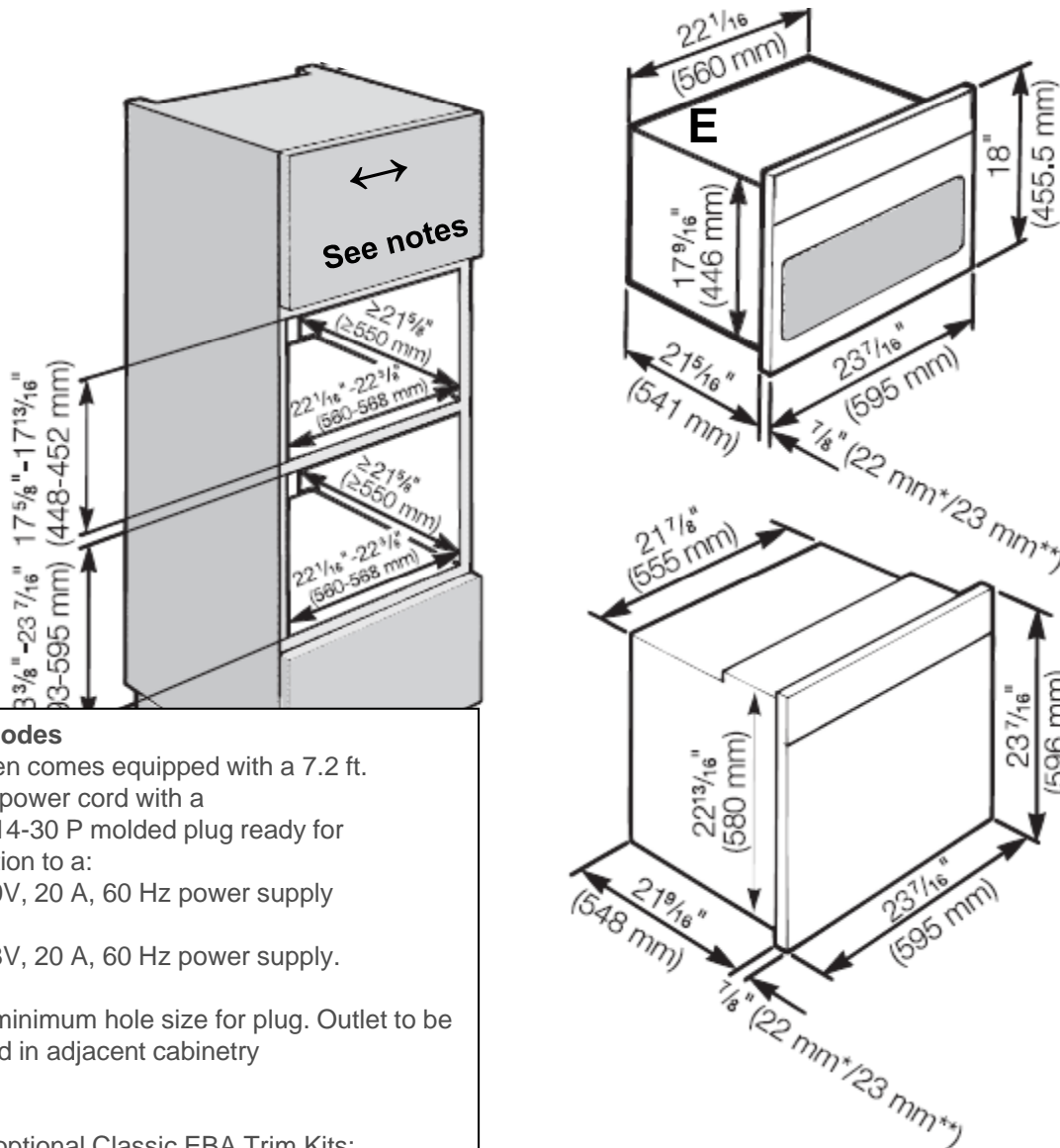
Please view page 4

Note: Drawing is not to scale

Specification Sheets OJS 11112011

Product and Cut-out Dimensions Convection Microwave Oven

H 4044 Chef Series Classic Design with DS 4045 Signature Series Handle



Location Codes

E – The oven comes equipped with a 7.2 ft. (2.2 m) power cord with a NEMA 14-30 P molded plug ready for connection to a:
120/240V, 20 A, 60 Hz power supply
or
120/208V, 20 A, 60 Hz power supply.

O – 2 1/2" ² minimum hole size for plug. Outlet to be installed in adjacent cabinetry

Notes

Width with optional Classic EBA Trim Kits:
22996178USA **EBA 5470** 27 3/8" Width
26" – 26 1/4" Cabinet Cutout
22996179USA **EBA 5476** **29 13/16" Width**
28 3/4" – 28 1/2" Cabinet Cutout
Width with optional Europa EBA Trim Kits:
22996191USA **EBA 5570** 27 3/8" Width
26" – 26 1/4" Cabinet Cutout
22996192USA **EBA 5576** **29 13/16" Width**
28 3/4" – 28 1/2" Cabinet Cutout

All installations must be done in accordance with local codes.

* Appliances with glass front

** Appliances with metal front

Please view page 4

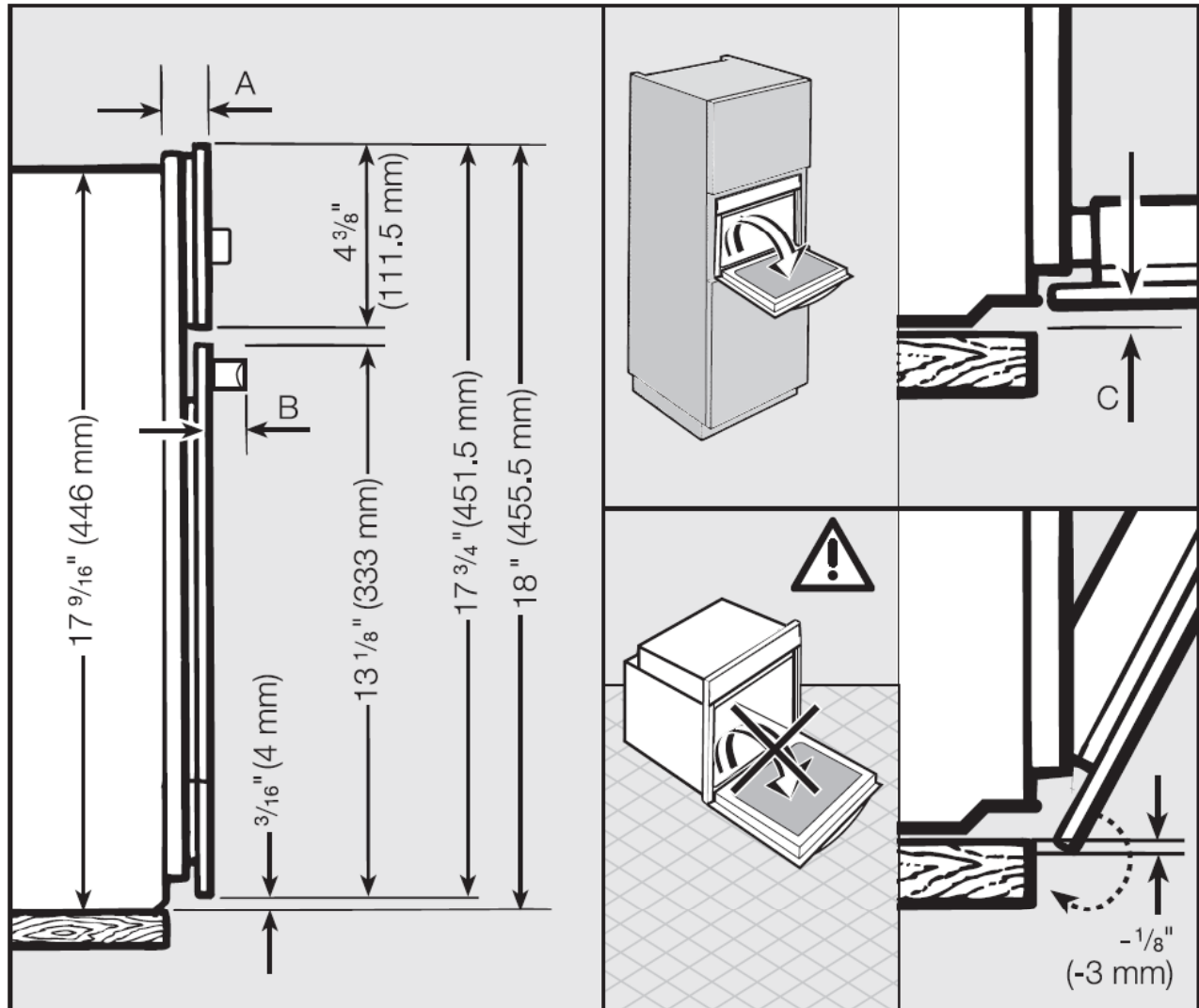
Note: Drawing is not to scale

Specification Sheets OJS 11112011

Product and Cut-out Dimensions
Convection Microwave Oven

H 4044 Chef Series Classic Design with DS 4045 Signature Series Handle

Machine front dimensions



A 7/8" (Appliance with glass front: 22 mm / Appliance with metal front: 23 mm)

B H 4044 BM: 2 3/16" (1.5 mm)

C Appliances with glass front: 1/16" (1.5 mm)

Appliances with metal front: 1/32" (0.5 mm)

Note: Drawing is not to scale

Specification Sheets OJS 11112011