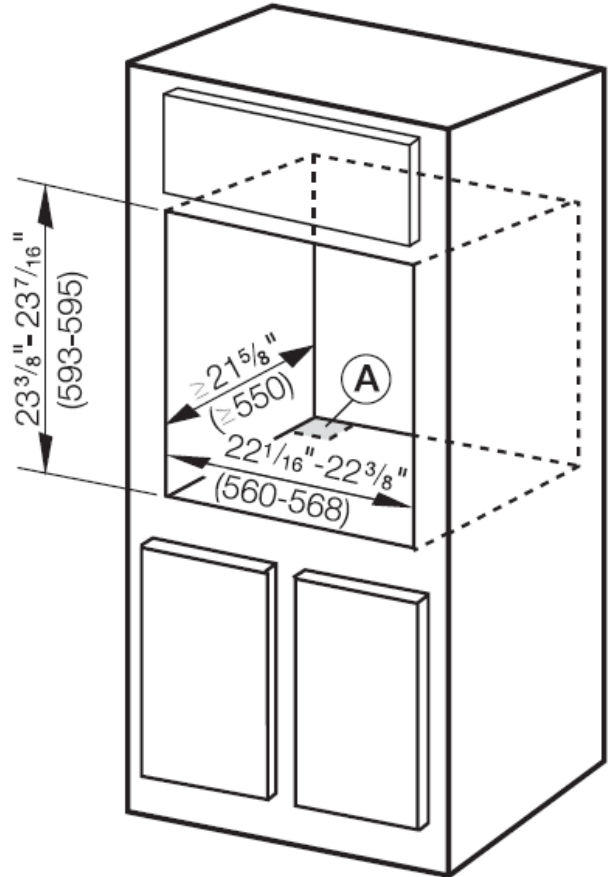
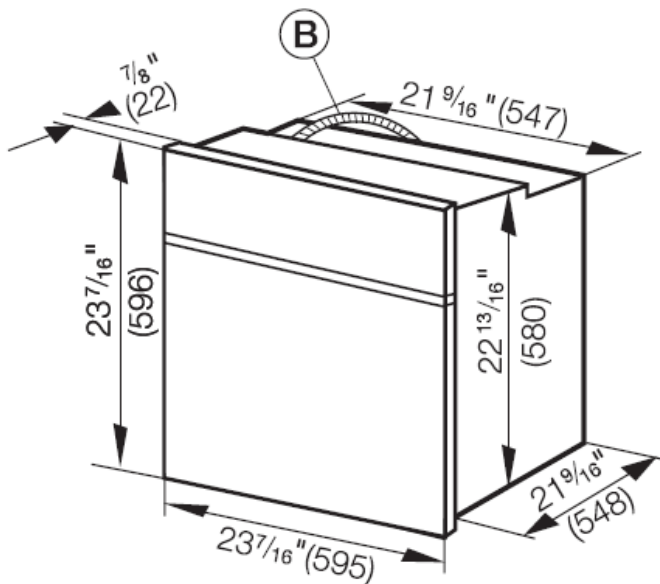


Product and Cut-out Dimensions 60 cm Single Oven H 4684 B

A - Cut-out for power (min. 4" ² / 10 cm ²)



Location Codes

B – 7.2 foot (2.2 m) electrical main with a NEMA 14-30 P molded plug ready for connection to a:

120/240V, 20 A, 60 Hz power supply
or

120/208V, 20 A, 60 Hz power supply.

Location must be accessible

Height to base of oven

Locate 30" - 33" from floor

Based on user height of 5'6" to 5'10"

Notes

All installations must be done in accordance with local codes.

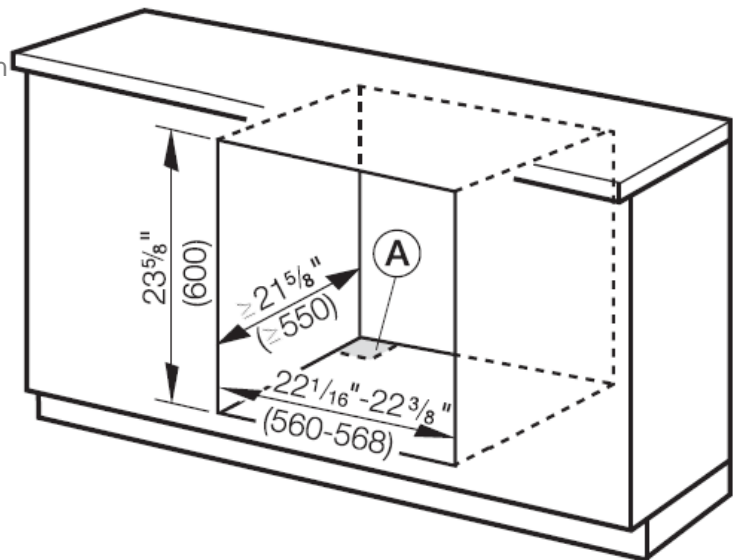
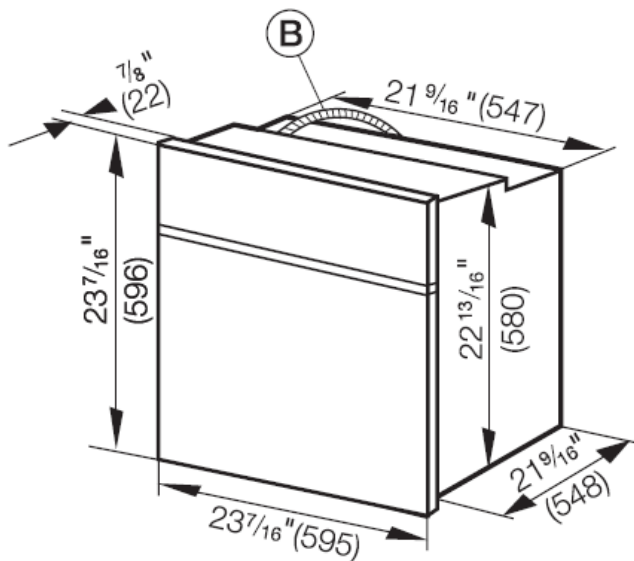
Note: Drawing is not to scale

Specification Sheets OJS 09192011

Product and Cut-out Dimensions 60 cm Single Oven H 4684 B

When installed under a cooktop regard the installation instructions and dimensions of the cooktop

A - Cut-out for power (min. 4" ² / 10 cm ²)



Location Codes

B – 7.2 foot (2.2 m) electrical main with a NEMA 14-30 P molded plug ready for connection to a:
120/240V, 20 A, 60 Hz power supply
or
120/208V, 20 A, 60 Hz power supply.
Location must be accessible

Notes

All installations must be done in accordance with local codes.

Note: Drawing is not to scale

Specification Sheets OJS 09192011