

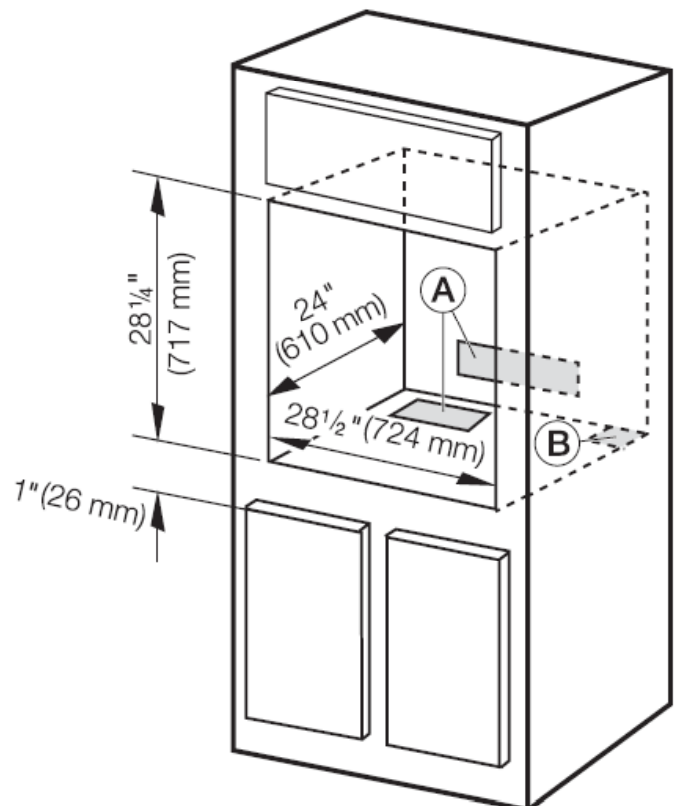
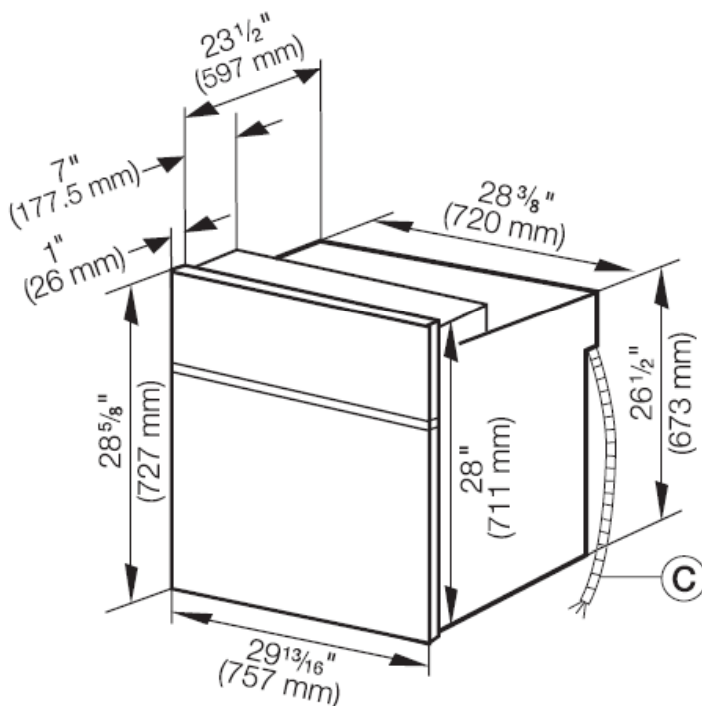
Product and Cut-out Dimensions

Page 1 of 2

H 4844 BP Chef Series Single 30" Oven – Classic Design DS 4045 Signature Handle

H 4846 BP Chef Series Single 30" Oven – Europa Design DS 4042 Square Handle

Proud Tall Cabinet Installation



Location Codes

A – Vent cut-out (min. 24" ² / 150 cm ²) possible at rear **or** platform of cabinet

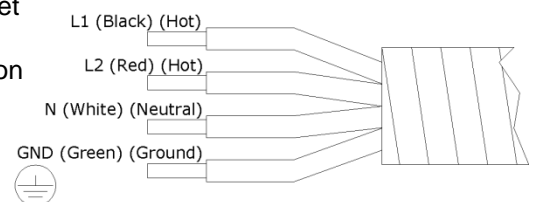
B – Cut-out for power cord (min. 1" ² / 3 cm²)

C – 6 ft. (1.8 m) flexible power cord consisting of 4 wires ready for connection to a dedicated 3 pole, 4 wire grounded power supply:

208 V, 60 Hz, 30 A fuse rating

240 V, 60 Hz, 30 A fuse rating

Ensure that the power outlet is accessible after installation



The silver data plate is located along the front side of the oven with the door open.

Notes

The oven must be installed into cabinetry and be supported from underneath.

Miele appliances can be installed flush or proud. Discuss your installation requirements with your architect, designer and installer. Cabinet depth for flush installation is 25" also the inside edges of the rough opening must be finished.

All installations must be done in accordance with local codes.

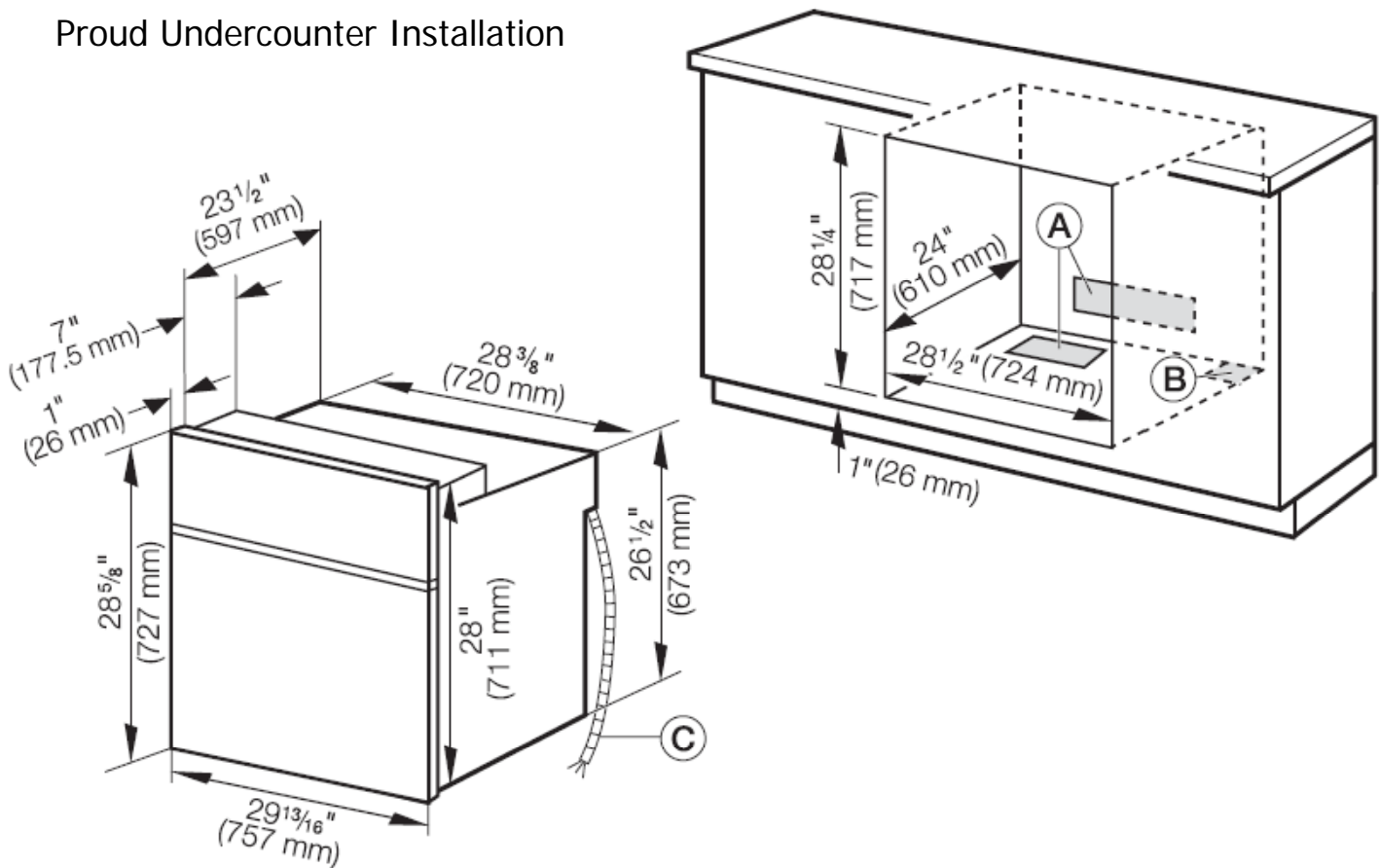
Drawing is not to scale

Product and Cut-out Dimensions

H 4844 BP Chef Series Single 30" Oven – Classic Design DS 4045 Signature Handle

H 4846 BP Chef Series Single 30" Oven – Europa Design DS 4042 Square Handle

Proud Undercounter Installation



Location Codes

A – Vent cut-out (min. 24" ² / 150 cm ²) possible at rear **or** platform of cabinet

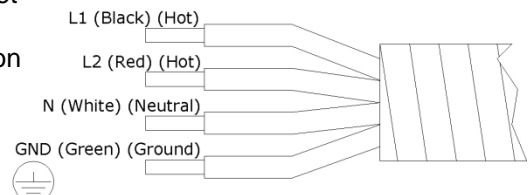
B – Cut-out for power cord (min. 1" ² / 3 cm²)

C – 6 ft. (1.8 m) flexible power cord consisting of 4 wires ready for connection to a dedicated 3 pole, 4 wire grounded power supply:

208 V, 60 Hz, 30 A fuse rating

240 V, 60 Hz, 30 A fuse rating

Ensure that the power outlet is accessible after installation



The silver data plate is located along the front side of the oven with the door open.

Notes

The oven must be installed into cabinetry and be supported from underneath.

Miele appliances can be installed flush or proud. Discuss your installation requirements with your architect, designer and installer. Cabinet depth for flush installation is 25" also the inside edges of the rough opening must be finished.

When installed under a cooktop regard the installation instructions and dimensions of the cooktop

All installations must be done in accordance with local codes.

Drawing is not to scale