

36" Range Top

KMR 1134 G / KMR 1134 LP



36" Rangetop

Model: KMR 1134 G / KMR 1134 LP



KMR 1134 G / KMR 1134 LP

Features:

- Backlit precision knobs
- M Pro dual stacked burner system with TrueSimmer
- ComfortClean dishwasher-safe grates
- Clean Touch Steel™ front

SPECIFICATIONS

KMR 1134 G — Item 26113450USA

KMR 1134 LP — Item 26113451USA

Overall Unit Width 35¹⁵/₁₆" (913 mm)

Overall Height from the base of the appliance to the top, not including grates 7¹/₂" (191 mm)

Overall Unit Depth to the front of control panel 26¹/₂" (673 mm)

Niché

Minimum Cabinet Width 36" (914 mm)

Minimum Cabinet Depth to back of control panel 25¹/₁₆" (636.6 mm)

Minimum Support Thickness 3/4" (19 mm)

Burners (G/LP) **M Pro Power Plus - Standard Configuration***

Gas Burners: (1) 12,500 BTU (G/LP); (5) 19,500 BTU (G/LP)

Total BTU Output 110,000 BTU (G/LP)

Gas

Gas Line Connection 1/2" NPT

Operational Altitudes

Miele Natural Gas and LP Ranges and Rangetops will function up to 9,800 ft. in altitude without adjustment; the following exception will function up to 6,500 ft. in altitude without adjustment:

High Altitude

- Griddle in LP: HR 1136 LP, HR 1936 LP, HR 1956 LP, KMR 1136 LP, KMR 1356 LP
- Grill in G: HR 1135 G, HR 1935 G, HR 1955 G, KMR 1135 G, KMR 1355 G

If an installation exceeds these elevations, please contact rangejetkit@mieleusa.com.

Electrical

Electrical Requirements 120V, 60Hz, 15 Amps

Power Cord Yes - NEMA 5-15 plug, 4ft. (1.2 m) long

Shipping

Shipping Weight 134.5 lbs. (61 kg)

Support

Call 800.843.7231

Miele Website www.mieleusa.com

20/20 Link 2020technologies.com

Optional Accessories:



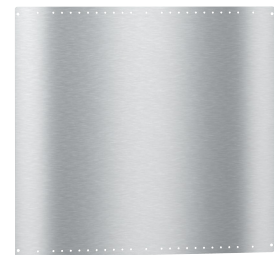
12" Backguard
RBGAG1236

12" tall high-quality brushed stainless steel Backguard



20" Backguard
RBGAG2036

20" tall high-quality brushed stainless steel Backguard



40" Backsplash
RBS36

40" tall flat stainless steel Backsplash panel

* Please note if a BTU-reducing kit is necessary, an authorized installer is required to modify the product to meet ANSI Z21.

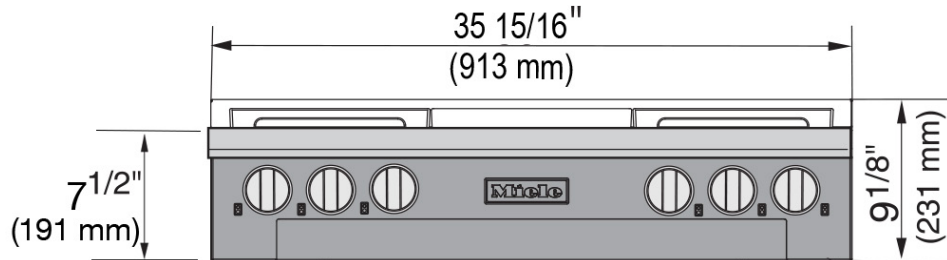
36" Rangetop

Model: KMR 1134 G / KMR 1134 LP

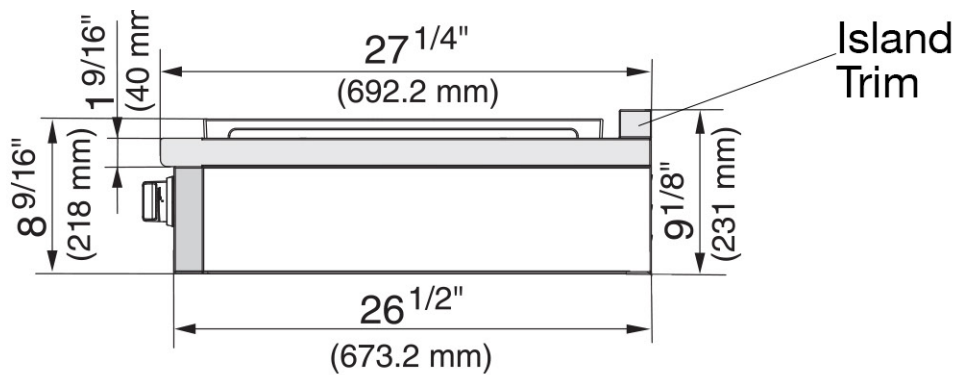


PRODUCT VIEWS

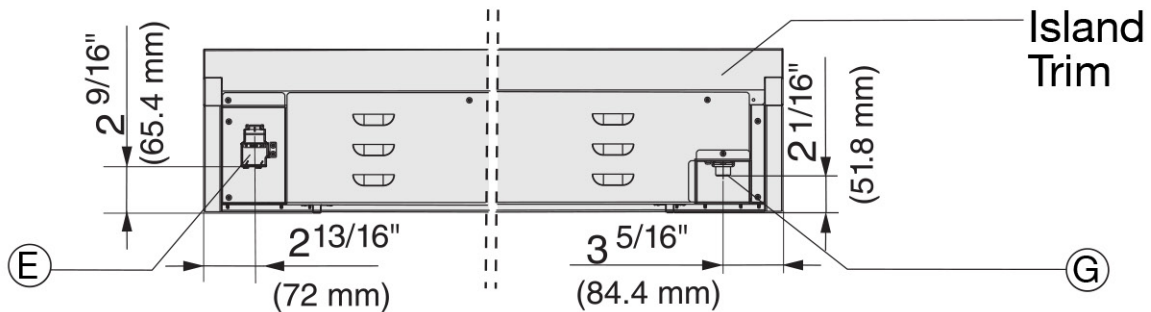
Front View



Side View



Rear View



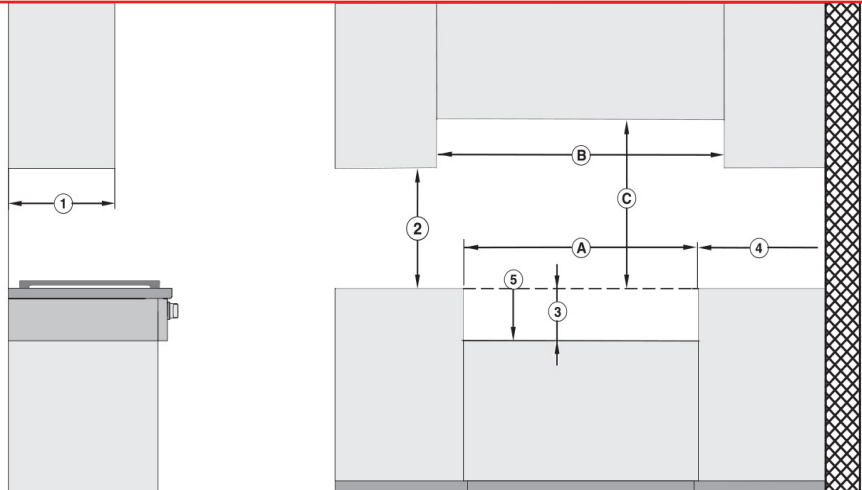
Length of power cord is 4 ft.(1.2m)

E = Electrical connection

G = Gas connection

M Pro Power Plus Configuration

Standard Configuration with Pro Hood*



Ⓑ In case of combustible construction, an additional minimum clearance of 6" (150 mm) on each side is necessary. Ensure local codes are observed.

M Pro Power Plus SPECIFICATIONS	
Burners (G/LP)	
Gas Burners:	(1) 12,500 BTU (G/LP); (5) 19,500 BTU (G/LP)
Total BTU Output	110,000 BTU (G/LP)

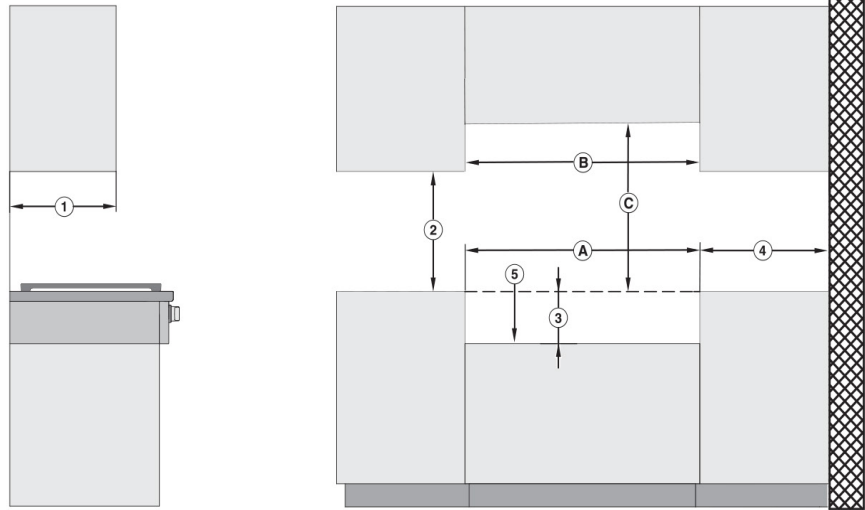
Position	Dimensions	Description
①	13" (330 mm)	Maximum depth of top cabinet
②	18" (457 mm)	Minimum distance to bottom edge of top cabinet
③	7 ¹ / ₂ " (190.5 mm)	Distance between the top edge of the countertop and the top edge of the support base
④	10" (254 mm)	Minimum distance to combustible surfaces
⑤		Support base ¹⁾
Ⓐ	min. 36" (914 mm)	Width of cabinet opening
Ⓑ	6" + Ⓐ + 6" (150 mm + Ⓐ + 150 mm)	If combustible materials are present, an additional minimum distance of 6" (150 mm) (each side) is required. Make sure that the local codes are observed.
Ⓒ	37" (940 mm)	Minimum distance between the top of the cooking area and the bottom of an unprotected combustible surface.
	36" (914 mm)	Minimum distance between the top of the cooking area and the bottom of the Miele rangehood (DAR model with DRxB XL blower).
	30" (762 mm)	Minimum distance between the top of the cooking area and the bottom of the Miele rangehood (DAR model with DRxB XXL blower).
For all other rangehoods, please consult the manufacturers specifications for required distances.		

* Please note if a BTU-reducing kit is necessary, an authorized installer is required to modify the product to meet ANSI Z21.

¹⁾ The support base must have a minimum thickness of ³/₄" (19.05 mm). At the rear right of the support base, a cut-out of 5 1/8" x 7 1/8" (130 mm x 80 mm) (gas connection) is provided, and, at the rear left, a cut-out of 4 6/8" x 1 9/16" (120 mm x 40 mm) (electrical connection).

M Pro Power Configuration

Seamless Configuration with Pro Hood (Zero Gap)



M Pro Power SPECIFICATIONS	
Burners (G/LP)	
Gas Burners:	(1) 10,000 BTU (G/LP); (5) 14,700 BTU (G/LP)
Total BTU Output	83,500 BTU (G/LP)

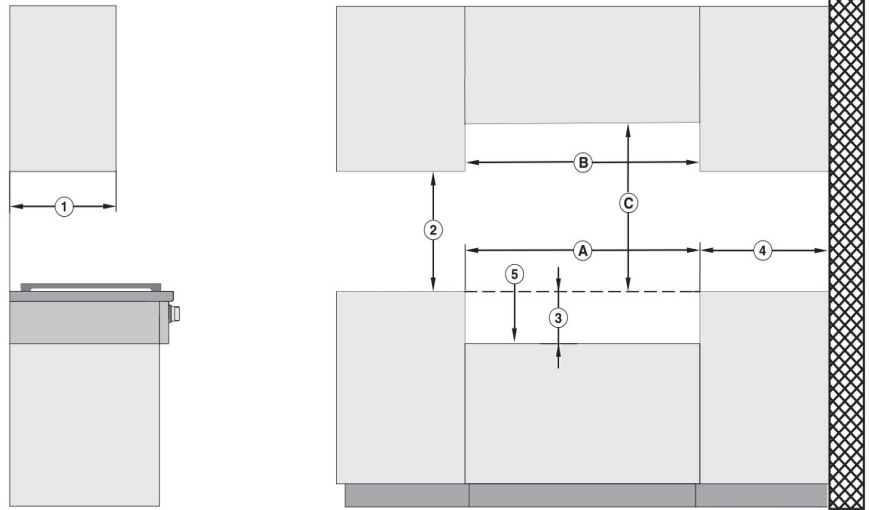
Jets are a standard accessory and are changed during installation

Position	Dimensions	Description
①	13" (330 mm)	Maximum depth of top cabinet
②	18" (457 mm)	Minimum distance to bottom edge of top cabinet
③	7 ¹ / ₂ " (190.5 mm)	Distance between the top edge of the countertop and the top edge of the support base
④	10" (254 mm)	Minimum distance to combustible surfaces
⑤		Support base ¹⁾
Ⓐ	min. 36" (914 mm)	Width of cabinet opening
Ⓑ	min. 36" (914 mm)	Width of cabinet opening Please contact Miele Service for more information.
Ⓒ	37" (940 mm)	Minimum distance between the top of the cooking area and the bottom of an unprotected combustible surface.
	36" (914 mm)	Minimum distance between the top of the cooking area and the bottom of the Miele rangehood (DAR model with DRxB XL blower).
	30" (762 mm)	Minimum distance between the top of the cooking area and the bottom of the Miele rangehood (DAR model with DRxB XXL blower).
For all other rangehoods, please consult the manufacturers specifications for required distances.		

1) The support base must have a minimum thickness of 3/4" (19.05 mm).
 At the rear right of the support base, a cut-out of 5 1/8" x 7 1/8" (130 mm x 80 mm) (gas connection) is provided, and, at the rear left, a cut-out of 4 6/8" x 1 9/16" (120 mm x 40 mm) (electrical connection).

M Pro Configuration

Seamless Configuration with Non-Pro Hood (Décor)



M Pro SPECIFICATIONS	
Burners (G/LP)	
Gas Burners:	(1) 10,000 BTU (G/LP); (5) 12,200 BTU (G/LP)
Total BTU Output	71,000 BTU (G/LP)

Jets are a standard accessory and are changed during installation

Position	Dimensions	Description
①	13" (330 mm)	Maximum depth of top cabinet
②	18" (457 mm)	Minimum distance to bottom edge of top cabinet
③	7 ¹ / ₂ " (190.5 mm)	Distance between the top edge of the countertop and the top edge of the support base
④	10" (254 mm)	Minimum distance to combustible surfaces
⑤		Support base ¹⁾
Ⓐ	min. 36" (914 mm)	Width of cabinet opening
Ⓑ	min. 36" (914 mm)	Width of cabinet opening Please contact Miele Service for more information.
Ⓒ	Please refer to Miele ventilation hood installation manual, Appliance Dimensions section (Distance between cooktop and hood (S)) For all other rangehoods, please consult the manufacturers specifications for required distances.	

1) The support base must have a minimum thickness of ³/₄" (19.05 mm).
At the rear right of the support base, a cut-out of 5 1/8" x 7 1/8" (130 mm x 80 mm) (gas connection) is provided, and, at the rear left, a cut-out of 4 6/8" x 1 9/16" (120 mm x 40 mm) (electrical connection).