

48" Rangetop with Griddle

KMR 1356 G / KMR 1356 LP



# 48" Rangetop with Griddle

## Model: KMR 1356 G / KMR 1356 LP



### KMR 1356 G / KMR 1356 LP

#### Features:

- Backlit precision knobs
- M Pro dual stacked burner system with TrueSimmer
- M Pro Griddle
- ComfortClean dishwasher-safe grates
- Clean Touch Steel™ front

#### SPECIFICATIONS

**KMR 1356 G** — Item 26135650USA

**KMR 1356 LP** — Item 26135651USA

Overall Unit Width 47<sup>15</sup>/<sub>16</sub>" (1218 mm)

Overall Height from the base of the appliance to top, not including grates 7<sup>1</sup>/<sub>2</sub>" (191 mm)

Overall Unit Depth to the front of control panel 26<sup>1</sup>/<sub>2</sub>" (673 mm)

#### Niché

Minimum Cabinet Width 48" (1219 mm)

Minimum Cabinet Depth to back of control panel 25<sup>1</sup>/<sub>16</sub>" (636.6 mm)

Minimum Support Thickness <sup>3</sup>/<sub>4</sub>" (19 mm)

**Burners (G/LP)** **M Pro Power Plus - Standard Configuration\***

Gas Burners: (2) 12,500 BTU (G/LP); (4) 19,500 BTU (G/LP)

Griddle: (1) 13,000 BTU (G); 14,300 BTU (LP)

Total BTU Output 116,000 BTU (G); 117,300 BTU (LP)

#### Gas

Gas Line Connection 1/2" NPT

#### Operational Altitudes

Miele Natural Gas and LP Ranges and Rangetops will function up to 9,800 ft. in altitude without adjustment; the following exception will function up to 6,500 ft. in altitude without adjustment:

#### High Altitude

- Griddle in LP: HR 1136 LP, HR 1936 LP, HR 1956 LP, KMR 1136 LP, KMR 1356 LP
- Grill in G: HR 1135 G, HR 1935 G, HR 1955 G, KMR 1135 G, KMR 1355 G

If an installation exceeds these elevations, please contact [rangejetkit@mieleusa.com](mailto:rangejetkit@mieleusa.com).

#### Electrical

Electrical Requirements 120V, 60Hz, 15 Amps

Power Cord Yes - NEMA 5-15 plug, 4 ft. (1.2 m) long

#### Shipping

Shipping Weight 187.4 lbs. (85 kg)

#### Support

Call 800.843.7231

Miele Website [www.mieleusa.com](http://www.mieleusa.com)

20/20 Link [2020technologies.com](http://2020technologies.com)

#### Optional Accessories:



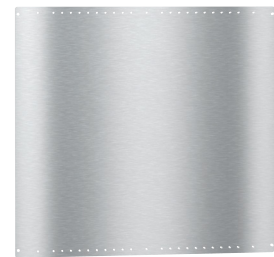
12" Backguard  
RBGAG1248

12" tall high-quality brushed stainless steel Backguard



20" Backguard  
RBGAG2048

20" tall high-quality brushed stainless steel Backguard



40" Backsplash  
RBS48

40" tall flat stainless steel Backsplash panel

\* Please note if a BTU-reducing kit is necessary, an authorized installer is required to modify the product to meet ANSI Z21.

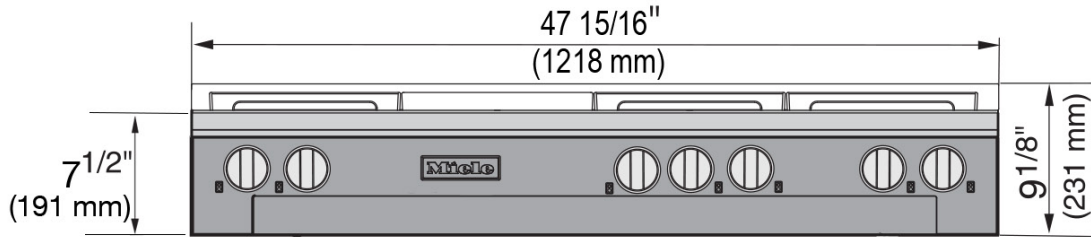
# 48" Rangetop with Griddle

## Model: KMR 1356 G / KMR 1356 LP

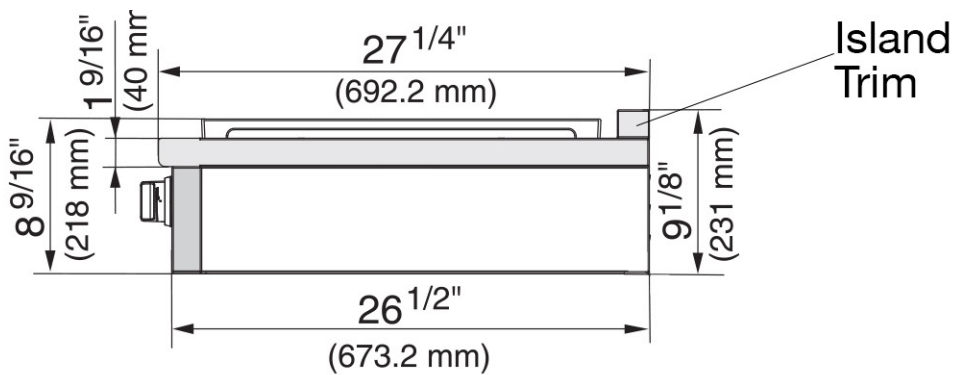


### PRODUCT VIEWS

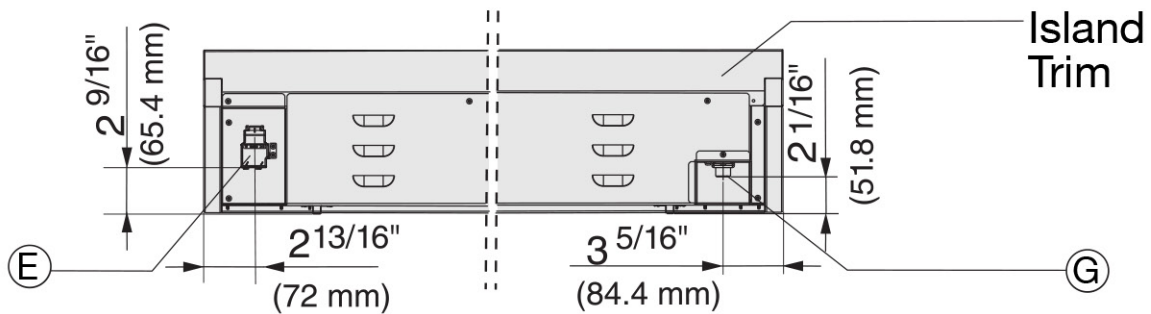
Front View



Side View



Rear View



Length of power cord is 4 ft.(1.2m)

E = Electrical connection

G = Gas connection

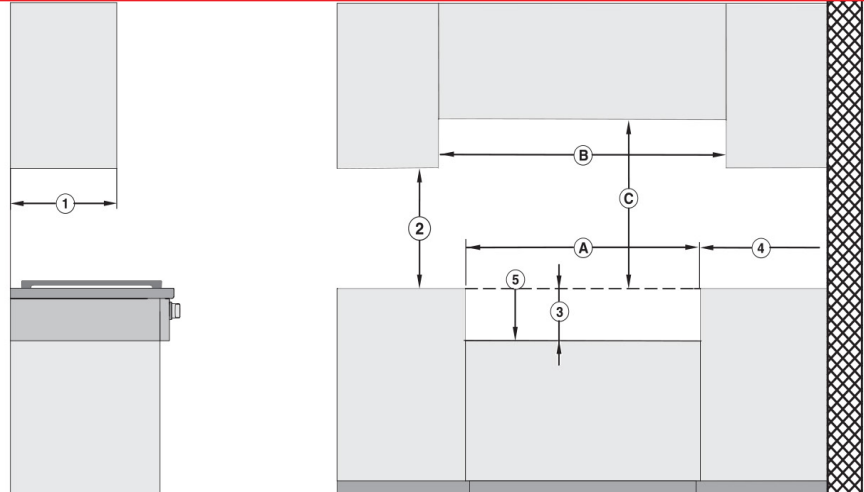
# 48" Rangetop with Griddle

## Model: KMR 1356 G / KMR 1356 LP



### M Pro Power Plus Configuration

Standard Configuration with Pro Hood\*



Ⓑ In case of combustible construction, an additional minimum clearance of 6" (150 mm) on each side is necessary. Ensure local codes are observed.

M Pro Power Plus SPECIFICATIONS	
Burners (G/LP)	
Gas Burners:	(2) 12,500 BTU (G/LP); (4) 19,500 BTU (G/LP)
Griddle:	(1) 13,000 BTU (G); (1) 14,300 BTU (LP)
Total BTU Output	116,000 BTU (G); 117,300 BTU (LP)

Position	Dimensions	Description
①	13" (330 mm)	Maximum depth of top cabinet
②	18" (457 mm)	Minimum distance to bottom edge of top cabinet
③	7 <sup>1</sup> / <sub>2</sub> " (190.5 mm)	Distance between the top edge of the countertop and the top edge of the support base
④	10" (254 mm)	Minimum distance to combustible surfaces
⑤		Support base <sup>1)</sup>
Ⓐ	min. 48" (1219 mm)	Width of cabinet opening
Ⓑ	6" + Ⓐ + 6" (150 mm + Ⓐ + 150 mm)	If combustible materials are present, an additional minimum distance of 6" (150 mm) (each side) is required. Make sure that the local codes are observed.
Ⓒ	37" (940 mm)	Minimum distance between the top of the cooking area and the bottom of an unprotected combustible surface.
	36" (914 mm)	Minimum distance between the top of the cooking area and the bottom of the Miele rangehood (DAR model with DRxB XXL blower).
For all other rangehoods, please consult the manufacturers specifications for required distances.		

From the back side of the rangetop, a 12" (305 mm) minimum distance to the combustible rear panel above the countertop is required.

1) The support base must have a minimum thickness of 3/4" (19.05 mm).

At the rear right of the support base, a cut-out of 5 1/8" x 7 1/8" (130 mm x 80 mm) (gas connection) is provided, and, at the rear left, a cut-out of 4 6/8" x 1 9/16" (120 mm x 40 mm) (electrical connection).

\* Please note if a BTU-reducing kit is necessary, an authorized installer is required to modify the product to meet ANSI Z21. KMR 1356

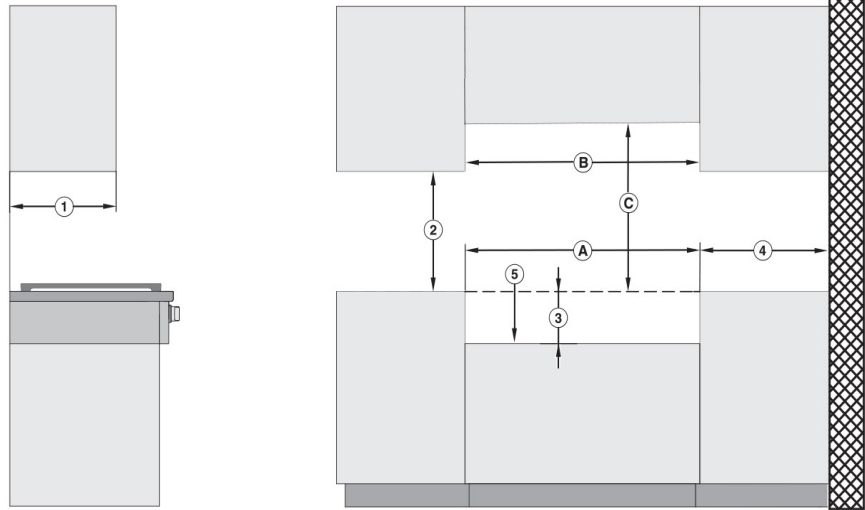
# 48" Rangetop with Griddle

## Model: KMR 1356 G / KMR 1356 LP



### M Pro Power Configuration

Seamless Configuration with Pro Hood (Zero Gap)



M Pro Power SPECIFICATIONS	
<b>Burners (G/LP)</b>	
Gas Burners:	(2) 10,000 BTU (G/LP); (4) 14,700 BTU (G/LP)
Griddle:	(1) 13,000 BTU (G); (1) 14,300 BTU (LP)
Total BTU Output	91,800 BTU (G); 93,100 BTU (LP)

**Jets are a standard accessory and are changed during installation**

Position	Dimensions	Description
①	13" (330 mm)	Maximum depth of top cabinet
②	18" (457 mm)	Minimum distance to bottom edge of top cabinet
③	7 <sup>1</sup> / <sub>2</sub> " (190.5 mm)	Distance between the top edge of the countertop and the top edge of the support base
④	10" (254 mm)	Minimum distance to combustible surfaces
⑤		Support base <sup>1)</sup>
Ⓐ	min. 48" (1219 mm)	Width of cabinet opening
Ⓑ	min. 48" (1219 mm)	Width of cabinet opening Please contact Miele Service for more information.
Ⓒ	37" (940 mm)	Minimum distance between the top of the cooking area and the bottom of an unprotected combustible surface.
	36" (914 mm)	Minimum distance between the top of the cooking area and the bottom of the Miele rangehood (DAR model with DRxB XXL blower).
For all other rangehoods, please consult the manufacturers specifications for required distances.		

From the back side of the rangetop, a 12" (305 mm) minimum distance to the combustible rear panel above the countertop is required.

1) The support base must have a minimum thickness of 3/4" (19.05 mm).  
At the rear right of the support base, a cut-out of 5 1/8" x 7 1/8" (130 mm x 80 mm) (gas connection) is provided, and, at the rear left, a cut-out of 4 6/8" x 1 9/16" (120 mm x 40 mm) (electrical connection).