

30" Range Insert Hood

DAR 1120



30" Range Hood Insert DAR 1120



DAR 1120

Features:

- Recessed knob controls
- Dishwasher-safe stainless steel baffle filters
- 4 fan speeds including Intensive
- Hood interior with CleanCover
- LED ClearView lighting
- Auto-Vent safety sensor

SPECIFICATIONS

DAR 1120 — Item 28112050USA

Overall Unit Width	27 ¹ / ₂ " (698mm)
Overall Unit Height	17 ⁵ / ₈ " (448mm)
Overall Unit Depth	22 ¹³ / ₁₆ " (579mm)
Cabinet	
Minimum Cabinet Cut-Out Width	26 ⁹ / ₁₆ " (675 mm)
Minimum Cabinet Width	27 ⁹ / ₁₆ " (700 mm)
Minimum Cabinet Cut-Out Depth	21 ⁵ / ₈ " (550 mm)
Minimum Cabinet Cut-Out Height	17 ¹¹ / ₁₆ " (450 mm)
Lighting	
Number of lights and wattage	2 LED lights @ 2 watts each
Fan	
Fan Speeds	4
Maximum CFM With DR*B XL	700 CFM
Maximum CFM With DR*B XXL	1100 CFM
Duct	
Recommended Duct Diameter With DR*B XL	8" (203 mm)
Recommended Duct Diameter With DR*B XXL	10" (254 mm)
Electrical	
Electrical Requirements	120V, 60Hz, 15 Amps
Power Cord	Yes - NEMA 5-15 plug, length 2' 6" (0.75 m)
Shipping	
Shipping Weight	68.3 lbs. (31kg)
Shipping Dimensions	35 ⁷ / ₁₆ " (900mm) W x 28" (710mm) H x 29 ³ / ₁₆ " (740mm) D
Support	
Call Miele	800.999.1360
Miele Website	www.mieleusa.com
20/20 Link	2020technologies.com

INSTALLATION ACCESSORIES



DRIB XL

Internal Range Hood
Blower - 700 CFM



DRIB XXL

Internal Range Hood
Blower - 1100 CFM



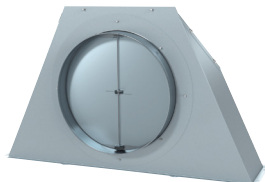
DREB XL

External Range Hood
Blower - 700 CFM



DREB XXL

External Range Hood
Blower - 1100 CFM



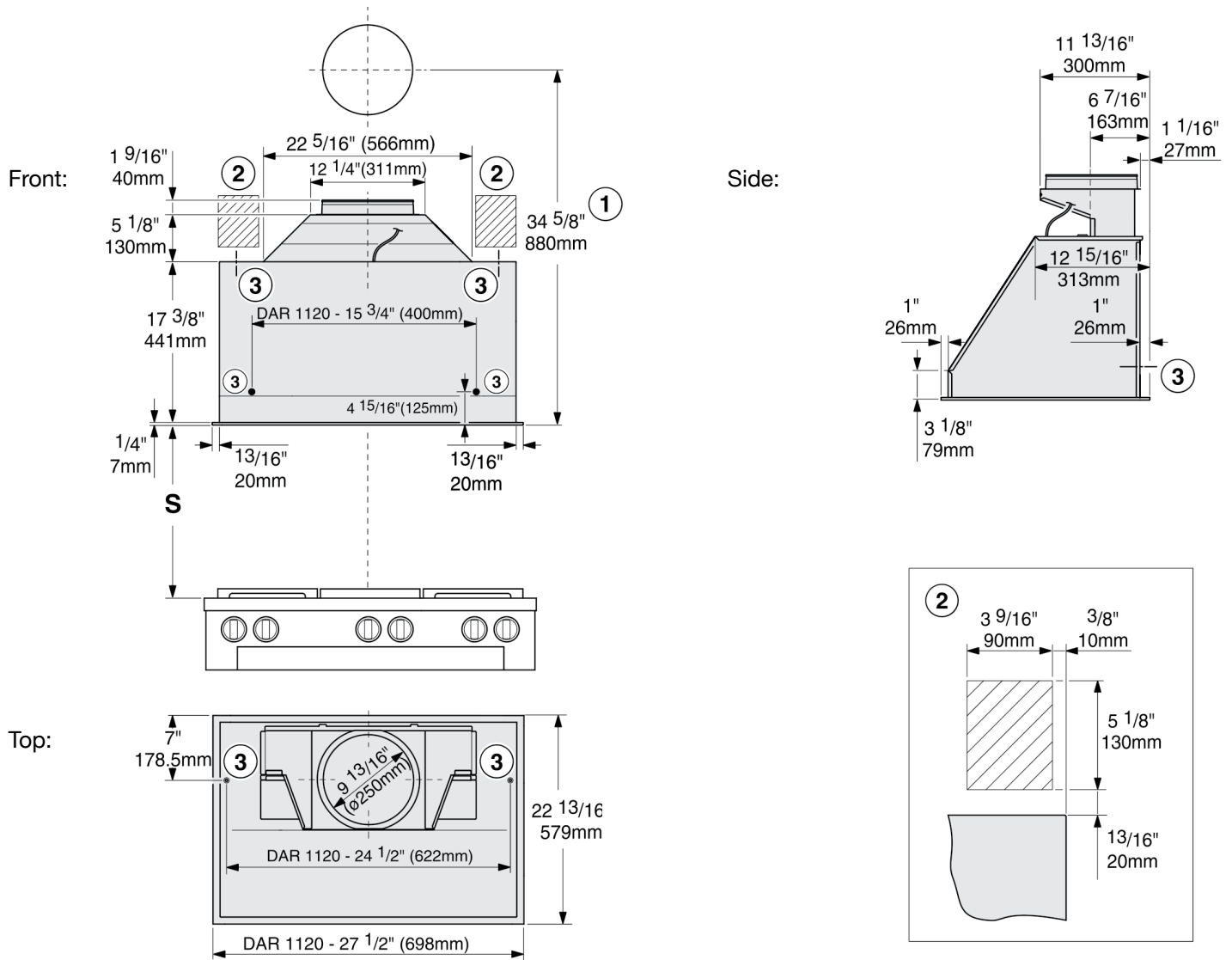
DRRV 1200

Rear Venting Adapter

30" Range Hood Insert DAR 1120



PRODUCT DIMENSIONS

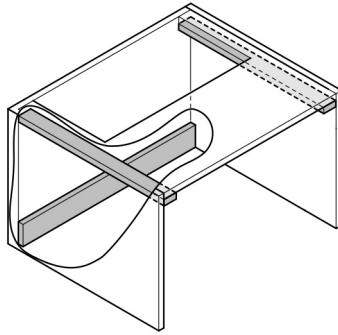


- ① Minimum height required for exhaust air penetration when using a vent duct.
- ② Recommended installation area for the electrical connection.
- ③ Attachment points: there must be a sub-construction capable of bearing the load in the area of the attachment point.

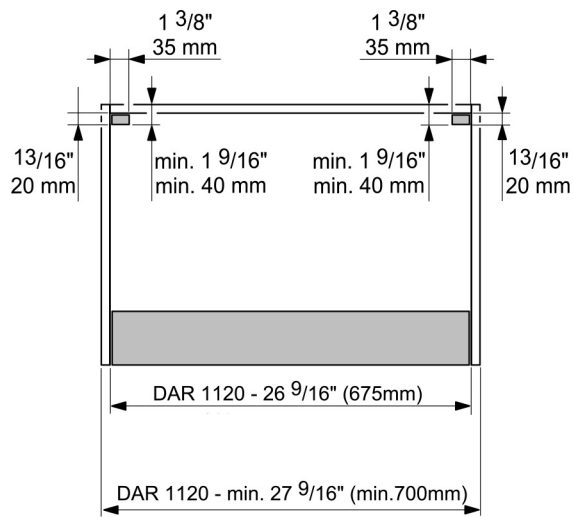
30" Range Hood Insert DAR 1120



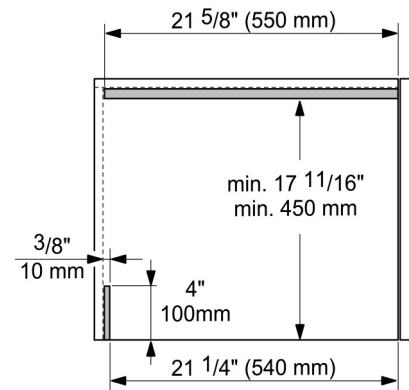
CABINET DIMENSIONS



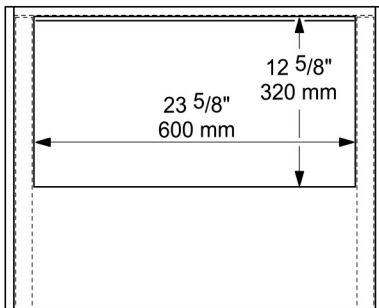
Front:



Side:



Top:



30" Range Hood Insert DAR 1120



DISTANCE BETWEEN COOKTOP AND VENTILATION HOOD (S)

	Distance between cooktop and ventilation hood (S)			
Miele Range Wall / Insert Hood	DAR 1120, DAR 1220 (30")	DAR 1130, DAR 1230 (36")		DAR 1150, DAR 1250 (48")
Internal / External Miele blowers	DRIB/DREB XL (700 cfm)	DRIB/DREB XL (700 cfm)	DRIB/DREB XXL (1100 cfm)	DRIB/DREB XXL (1100 cfm)
Miele electric cooktops	24" (610 mm)			
Miele barbeque and fryer (electric)	26" (660 mm)			
Multi-burner Miele gas cooktop, ≤ 43,000 BTU/h (12.6 kW), none of the burners > 19,800 BTU/h (5.8 kW)	26" (660 mm)			
Multi-burner Miele gas cooktop, > 43,000 BTU/h (12.6 kW) and ≤ 92,200 BTU/h (27.0 kW), none of the burners > 19,800 BTU/h (5.8 kW)	30" (760 mm)			
Multi-burner Miele gas cooktop, > 92,200 BTU/h (27.0 kW) and ≤ 112,600 BTU (33.0 kW), none of the burners > 19,800 BTU/h (5.8 kW)	not possible	36" (910 mm)	30" (760 mm)	
Multi-burner Miele gas cooktop, > 112,200 BTU/h (33.0 kW) and ≤ 142,600 BTU (41.8 kW) none of the burners > 19,800 BTU/h (5.8 kW)	not possible		36" (910 mm)	
Multi-burner Miele gas cooktop, > 142,600 BTU/h (41.8 kW)	not possible			
Multi-burner Miele gas cooktop, one of the burners > 19,800 BTU/h (5.8 kW)	not possible			
Miele single-burner gas cooktop (wok) ≤ 20,500 BTU/h (6.0 kW)	26" (660 mm)			
Miele single-burner gas cooktop (wok) > 20,500 BTU/h, (6.0 kW), ≤ 27,600 BTU/h (8.1 kW)	30" (760 mm)			
Miele single-burner gas cooktop (wok) > 27,600 BTU/h (8.1 kW)	not possible			

HOOD-BLOWER COMBINATION GUIDE

The following appliance combinations are possible:

	Extraction mode with internal blower	Vented mode with external blower	Recirculation mode	Ducting cover
Range Insert DAR 1120 (30")	Blower DRIB XL or <i>DRIB XXL*</i>	Blower DREB XL or <i>DREB XXL*</i>	-	-
Range Insert DAR 1130 (36")	Blower DRIB XL or DRIB XXL	blower DREB XL or DREB XXL	-	-
Range Insert DAR 1150 (36")	Blower DRIB XXL	Blower DREB XXL	-	-
Range Wall Hood DAR 1220 (30")	Blower DRIB XL or <i>DRIB XXL*</i>	Blower DREB XL or <i>DREB XXL*</i>	blower DRIB XL + recirculation kit DRUU 30**	DRDC 3006 (6") DRDC 3012 (12") DRDC 3018 (18") DRDC 3024 (24")
Range Wall Hood DAR 1230 (36")	Blower DRIB XL or DRIB XXL	blower DREB XL or DREB XXL	Blower DRIB XL + recirculation kit DRUU 36**	DRDC 3606 (6") DRDC 3612 (12") DRDC 3618 (18") DRDC 3624 (24")
Range Wall Hood DAR 1250 (48")	Blower DRIB XXL	Blower DREB XXL	-	DRDC 4806 (6") DRDC 4812 (12") DRDC 4818 (18") DRDC 4824 (24")
Range wall hood DAR 1260 (60")	Blower DRIB XXL	Blower DREB XXL	-	DRDC 6006 (6") DRDC 6012 (12") DRDC 6018 (18") DRDC 6024 (24")

*not recommended

**The DRDC duct cover can also be installed above the recirculation kit panel.

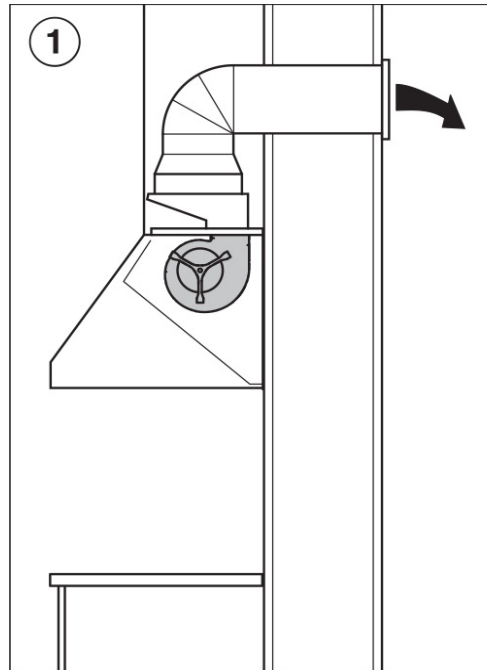
30" Range Hood Insert DAR 1120



DRIB XL
INTERNAL RANGE HOOD BLOWER
(Optional Accessory) 700 CFM



DRIB XXL
INTERNAL RANGE HOOD BLOWER
(Optional Accessory) 1100 CFM



① Air extraction with internal blower DRIB XXL

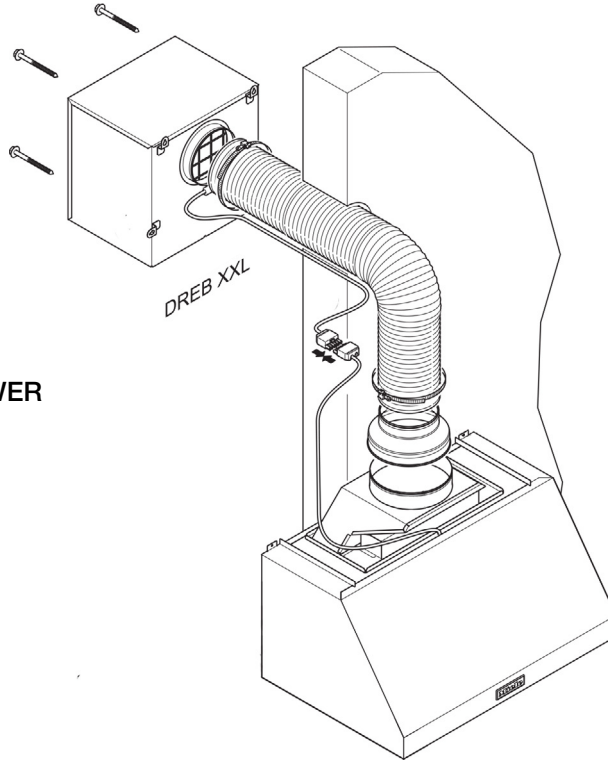
30" Range Hood Insert DAR 1120



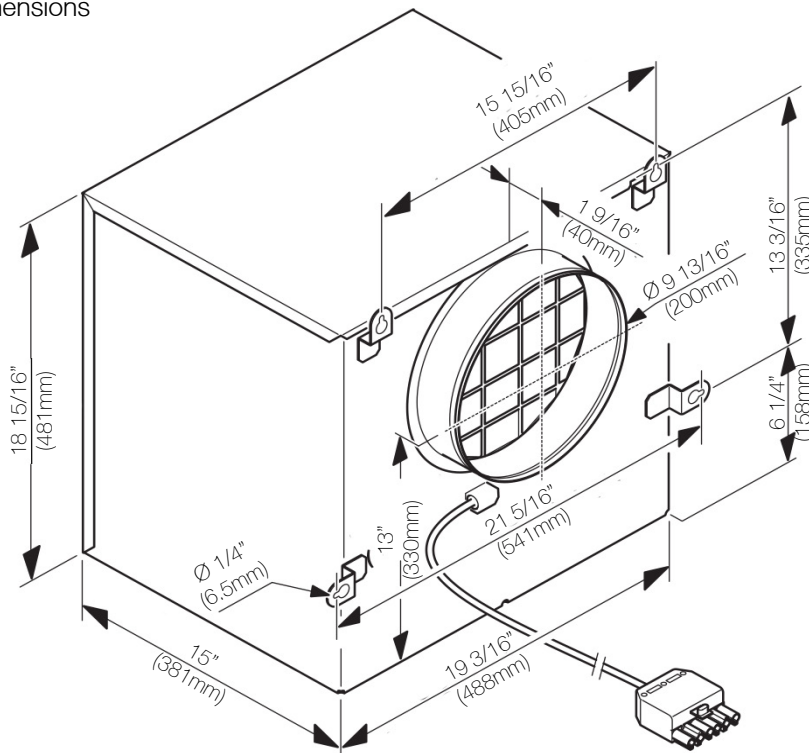
DREB XL
EXTERNAL RANGE HOOD BLOWER
(Optional Accessory) 700 CFM



DREB XXL
EXTERNAL RANGE HOOD BLOWER
(Optional Accessory) 1100 CFM



DREB XL and DREB XXL Dimensions



30" Range Hood Insert DAR 1120



DRRV 1200 REAR VENTING ADAPTER (Optional Accessory)

