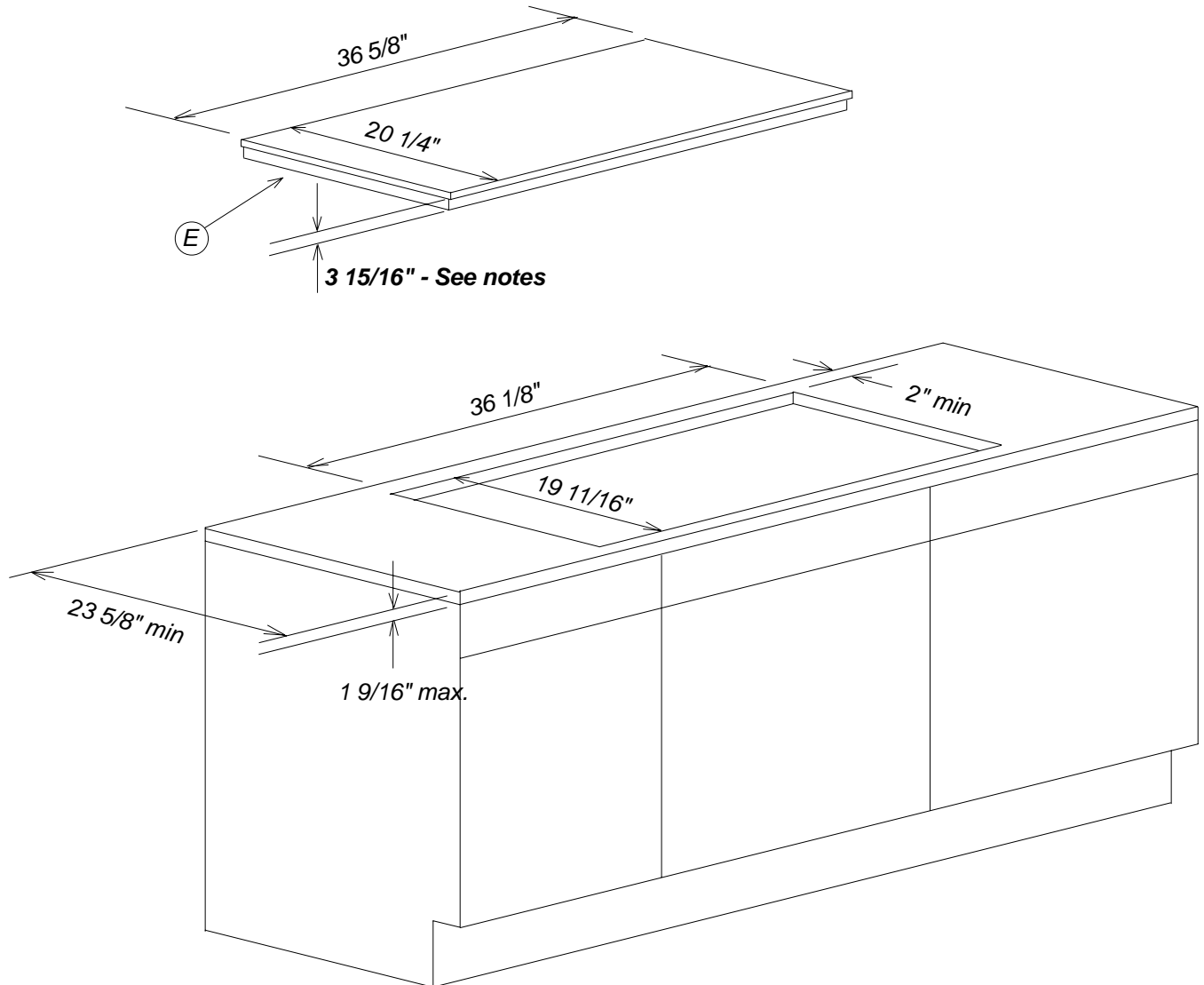


Product and Cut-out Dimensions

Touch Control Induction Cooktop

KM5773



Location Codes
<i>E - 208-240 Volt, 50 Amp 3-wire power supply connects rear left bottom</i>
Notes
<ul style="list-style-type: none"> • All installations must be done in accordance with local codes. • Unit depth is 2 9/16" thick. Total built-in height includes 1 3/8" for electrical connection

NOTE: Drawing is not to scale.
SPECIFICATION SHEETS 060811