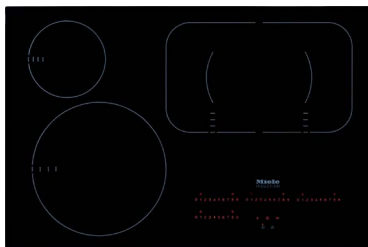


# 30" Flush-Mounted Induction Cooktop

KM 6365



# 30" Flush-Mounted Induction Cooktop KM 6365



## SPECIFICATIONS

SPECIFICATIONS	
<b>KM 6365 Induction Cooktop</b>	<b>Item 26636562USA</b>
Product Dimensions	30 <sup>5</sup> / <sub>16</sub> " (770 mm) W x 5 <sup>1</sup> / <sub>16</sub> " (128 mm) H x 20 <sup>3</sup> / <sub>16</sub> " (512 mm) D
Cut-out Dimensions	29 <sup>7</sup> / <sub>16</sub> " (748 mm) W x 19 <sup>5</sup> / <sub>16</sub> " (490 mm) D
Minimum Back Spacing From Wall	2" (50 mm)
Minimum Countertop Thickness	1 <sup>1</sup> / <sub>8</sub> " (29 mm)
Maximum Countertop Thickness	1 <sup>9</sup> / <sub>16</sub> " (40 mm)
Minimum Recommended distance to ventilation hood	24" (610mm)
Electrical	
Electrical Requirements	208V, 60Hz, 40 Amps, 6700W 240V, 60Hz, 40 Amps, 7700W
Power Cable	3' 11 <sup>1</sup> / <sub>4</sub> " (1.2 m)
Shipping	
Shipping Weight	52.43 lbs
Shipping Dimensions	34 <sup>5</sup> / <sub>16</sub> " W x 7 <sup>3</sup> / <sub>32</sub> " H x 26 <sup>21</sup> / <sub>32</sub> " D
Support	
Call	800.843.7231
Miele Website	<a href="http://www.mieleusa.com">www.mieleusa.com</a>
20/20 Link	<a href="http://2020technologies.com">2020technologies.com</a>

## Features:

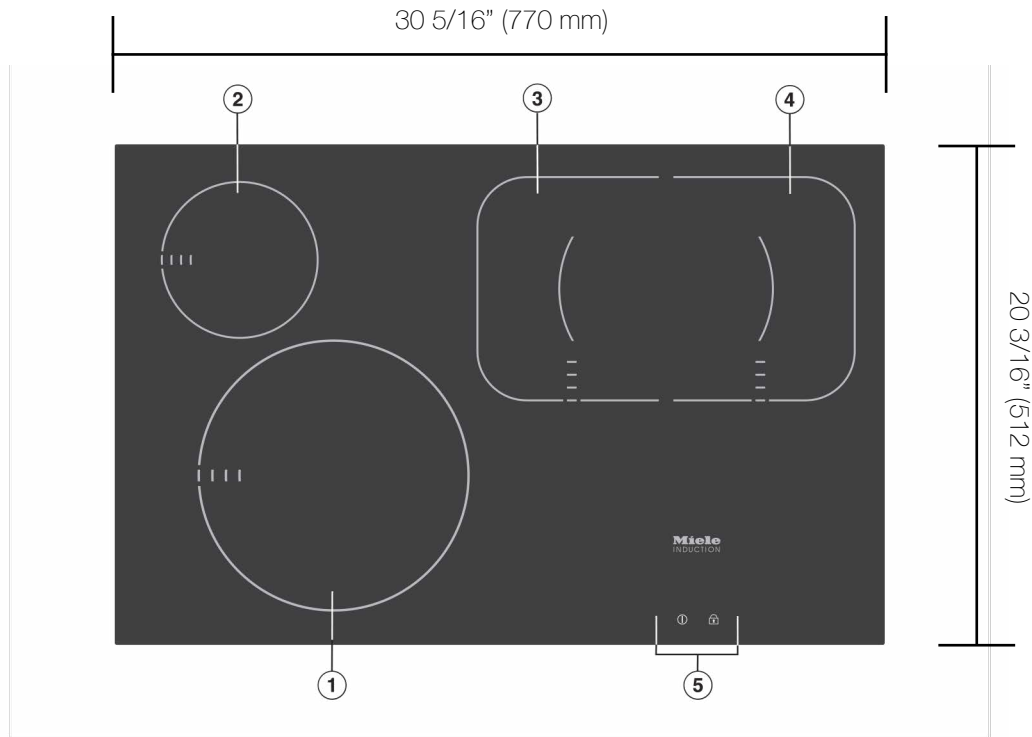
- 4 cooking zones
  - (1) vario zone of 4-6"
  - (2) vario zones of 6-9"
  - (1) vario zone of 7-11"
- (1) PowerFlex zone — PowerFlex technology combines two zones into a unique large zone (9x15"), up to 7,7kW
- TwinBooster function
- Con@ctivity 2.0 — communication between cooktop and hood
- Direct Selection Plus controls, default power level 1-9, extended 1-12
- Stop&Go function
- Keeping Warm function
- Auto heat-up
- Pan size recognition
- Timer
- Overheating protection
- Child safety lock and safety switch-off

# 30" Flush-Mounted Induction Cooktop KM 6365



## PRODUCT VIEWS

Top View

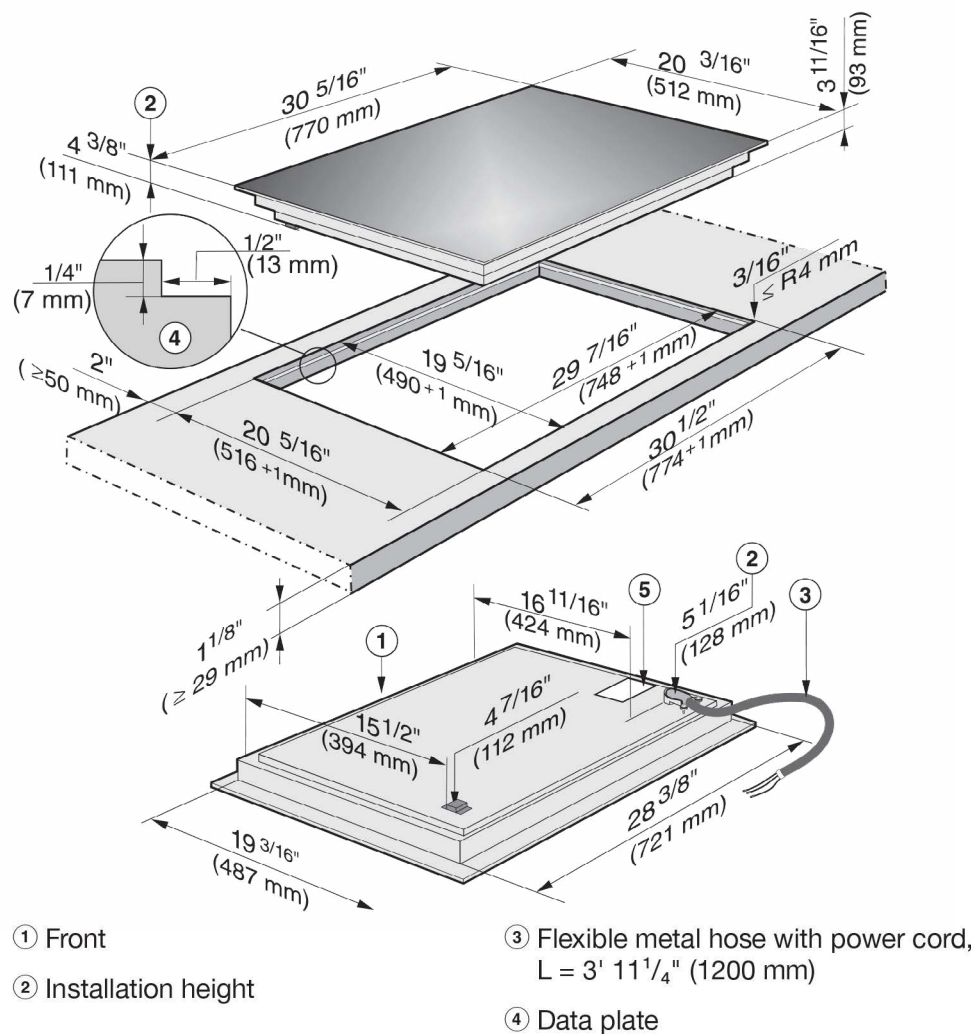


- ① Cooking zone with TwinBooster
- ② Cooking zone with Booster
- ③ PowerFlex cooking zone with TwinBooster
- ④ PowerFlex cooking zone with TwinBooster
- ③④ can be combined to form PowerFlex cooking zone
- ⑤ DirectSelection Plus controls

# 30" Flush-Mounted Induction Cooktop KM 6365



## INSTALLATION DIMENSIONS



**Cut-out dimensions for granite or marble counters. Please take careful note of the diagram.**

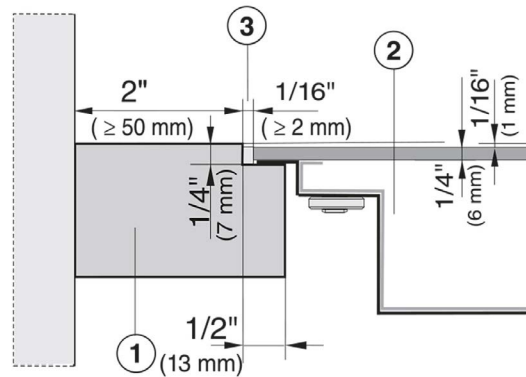
This unit must only be flush mounted! Proud mounting of unit may damage the unit and will void warranty.

# 30" Flush-Mounted Induction Cooktop KM 6365



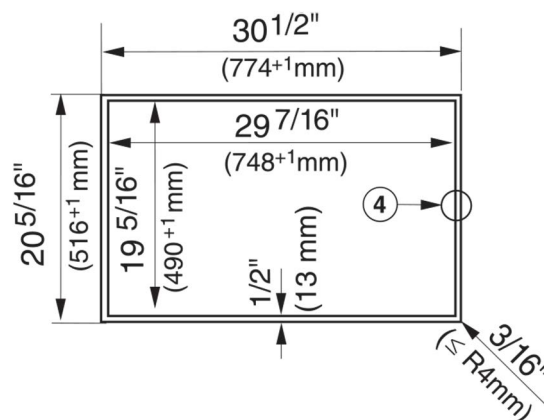
## INSTALLATION SAFETY CLEARANCE

Front Side View Of Flush Mount  
Installation With Granite, Marble,  
Or Solid Surface Countertops



- ① Countertop
- ② Cooktop
- ③ Gap

As the ceramic glass slab and the counter cut-out have a certain dimensional tolerance, the width of the gap ③ (min. 1/16" [2 mm]) can vary.



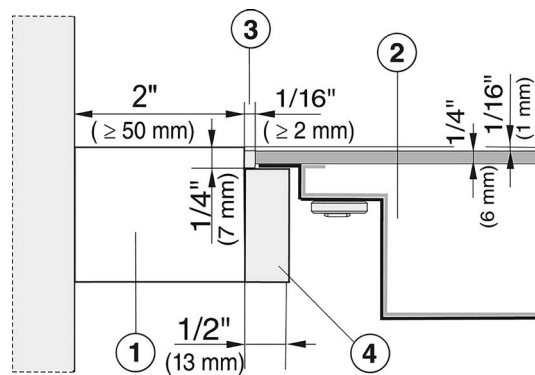
- ④ Stepped cut-out

# 30" Flush-Mounted Induction Cooktop KM 6365



## INSTALLATION SAFETY CLEARANCE

Front Side View Of Flush Mount  
Installation for Solid Wood, Tiled, Or  
Glass Countertops



- ① Countertop
- ② Cooktop
- ③ Gap
- ④ Wooden frame  $\frac{1}{2}$ " (13 mm) (not supplied with appliance)

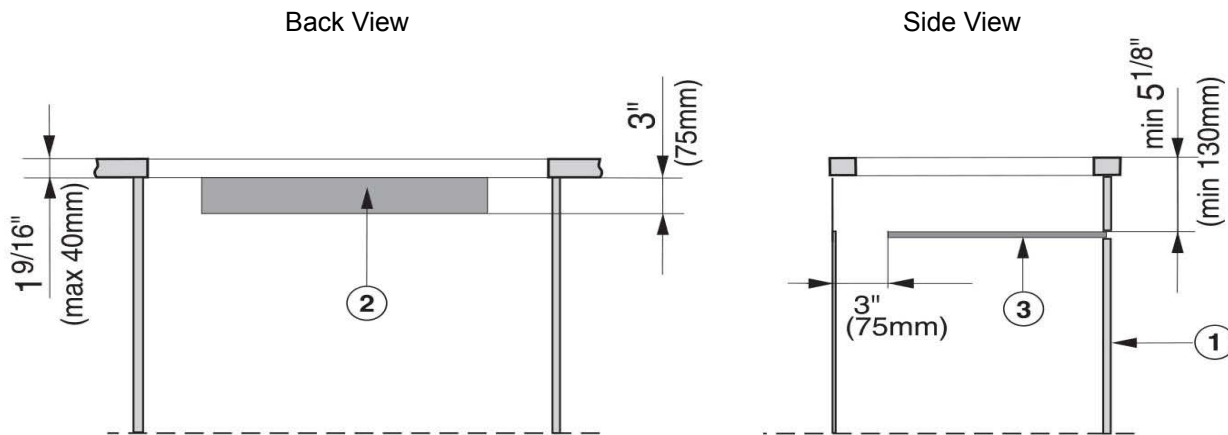
As the ceramic glass slab and the counter cut-out have a certain dimensional tolerance, the width of the gap ③ (min.  $\frac{1}{16}$ " [2 mm]) can vary.

# 30" Flush-Mounted Induction Cooktop KM 6365



## INSTALLATION

### Ventilations



- ① Front of cooktop
- ② Cut-out in cabinet for ventilation.  
Shown as an example in the rear wall of the cabinet.
- ③ Protective base  
Installation of a protective base under the cooktop is allowed but not required.  
If a protective base is fitted, there must be a clearance of at least  $5\frac{1}{8}$ " (130 mm) between the top of the protective base and the top of the countertop, for proper ventilation of the cooktop.  
At the back there has to be a gap of 3" (75 mm) for the power cord.

Cooktop	Measurements cut-out
KM 6360 / KM 6365	73.5 sq-in. Example: 24 1/2" x 3" (622 x 75mm)

# 30" Flush-Mounted Induction Cooktop KM 6365



## KM 6365 INDUCTION COOKTOP INSTALLATION IN COMBINATION WITH UNDERCOUNTER 30" MIELE OVEN H6x80BP

### Countertop Thickness vs. Toekick Height

#### Taken into consideration:

- 35" tall cabinetry
- 3/4" (exact) platform thickness under oven/above toekick

		Toekick Height										
		3 1/2	3 3/4	4	4 1/4	4 1/2	4 3/4	5	5 1/4	5 3/4	6	
Countertop Thickness	1 1/8	OK	OK	NA	NA	NA	NA	NA	NA	NA	NA	NA
	1 1/4	OK	OK	NA	NA	NA	NA	NA	NA	NA	NA	NA
	1 3/8	OK	OK	OK	NA	NA	NA	NA	NA	NA	NA	NA
	1 1/2	OK	OK	OK	NA	NA	NA	NA	NA	NA	NA	NA
	1 9/16	OK	OK	OK	NA	NA	NA	NA	NA	NA	NA	NA