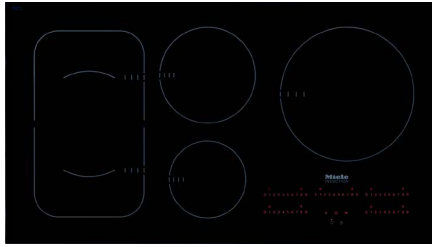


36" Flush-Mounted Induction Cooktop

KM 6375



36" Flush-Mounted Induction Cooktop KM 6375



Features:

- 5 cooking zones
 - (1) vario zone of 4-6"
 - (1) vario zone of 5¹/₂-8"
 - (2) vario zones of 6-9"
 - (1) vario zone of 7-11"
- (1) PowerFlex zone — PowerFlex technology combines two zones into a unique large zone (9x15"), up to 7,7kW
- TwinBooster function
- Con@ctivity 2.0 — communication between cooktop and hood
- Direct Selection Plus controls, default power level 1-9, extended 1-12
- Stop&Go function
- Keeping Warm function
- Auto heat-up
- Pan size recognition
- Timer
- Overheating protection
- Child safety lock and safety switch-off

SPECIFICATIONS

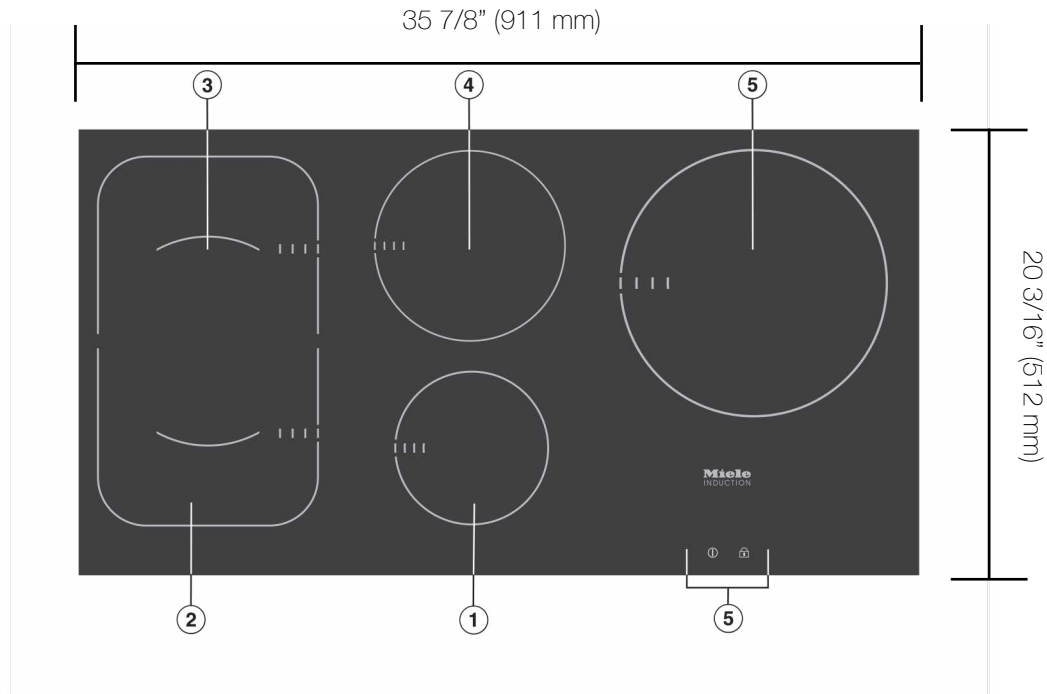
KM 6375 Induction Cooktop		Item 26637562USA
Product Dimensions	35 ⁷ / ₈ " (911 mm) W x 4 ³ / ₄ " (121 mm) H x 20 ³ / ₁₆ " (512 mm) D	
Cut-out Dimensions	35" (889 mm) W x 19 ⁵ / ₁₆ " (490 mm) D	
Minimum Back Spacing From Wall	2" (50 mm)	
Minimum Countertop Thickness	1 ¹ / ₈ " (29 mm)	
Maximum Countertop Thickness	1 ⁹ / ₁₆ " (40 mm)	
Minimum Recommended distance to ventilation hood	24" (610 mm)	
Electrical		
Electrical Requirements	208V, 60Hz, 50 Amps, 10,000W 240V, 60Hz, 50 Amps, 11,500W	
Power Cable	3' 11 ¹ / ₄ " (1.2 m)	
Shipping		
Shipping Weight	65.35 lbs	
Shipping Dimensions	40 ⁵ / ₁₆ " W x 7 ⁹ / ₃₂ " H x 26 ²¹ / ₃₂ " D	
Support		
Call	800.843.7231	
Miele Website	www.mieleusa.com	
20/20 Link	2020technologies.com	

36" Flush-Mounted Induction Cooktop KM 6375



PRODUCT VIEWS

Top View

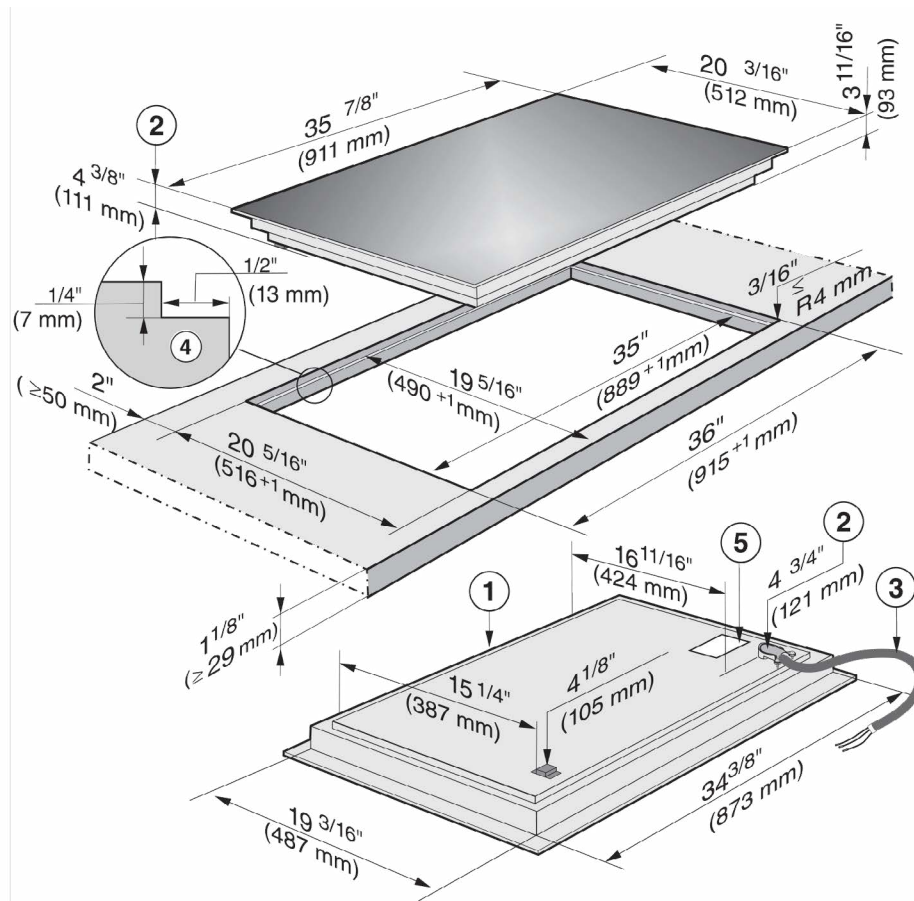


- ① Cooking zone with Booster
- ② PowerFlex cooking zone with TwinBooster
- ③ PowerFlex cooking zone with TwinBooster
- ②③ can be combined to form PowerFlex cooking zone
- ④ Cooking zone with Booster
- ⑤ Cooking zone with TwinBooster
- ⑥ DirectSelection Plus controls

36" Flush-Mounted Induction Cooktop KM 6375



INSTALLATION DIMENSIONS



- ① Front
- ② Installation height
- ③ Flexible metal hose with power cord,
L = 3' 11¹/₄" (1200 mm)
- ④ Data plate

Cut-out dimensions for granite or marble counters. Please take careful note of the diagram.

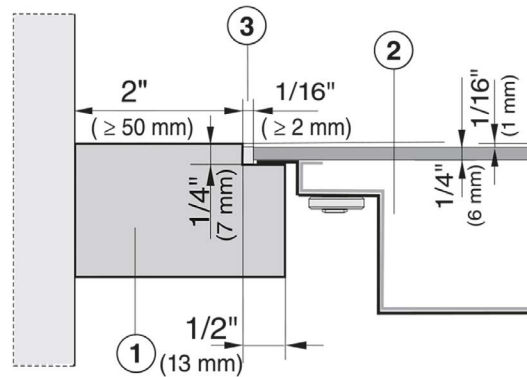
This unit must only be flush mounted! Proud mounting of unit may damage the unit and will void warranty.

36" Flush-Mounted Induction Cooktop KM 6375



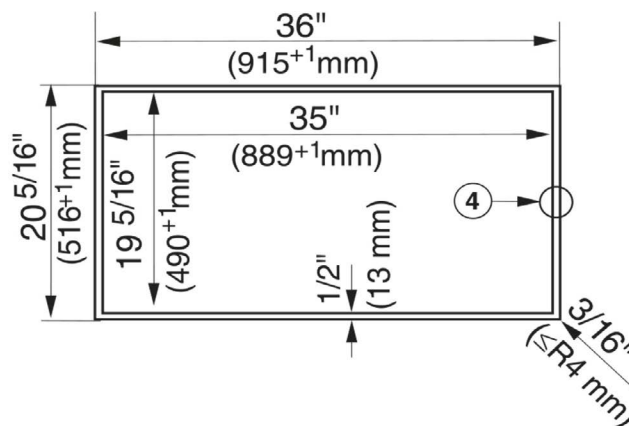
INSTALLATION SAFETY CLEARANCE

Front Side View Of Flush Mount
Installation With Granite, Marble,
Or Solid Surface Countertops



- ① Countertop
- ② Cooktop
- ③ Gap

As the ceramic glass slab and the counter cut-out have a certain dimensional tolerance, the width of the gap ③ (min. 1/16" [2 mm]) can vary.



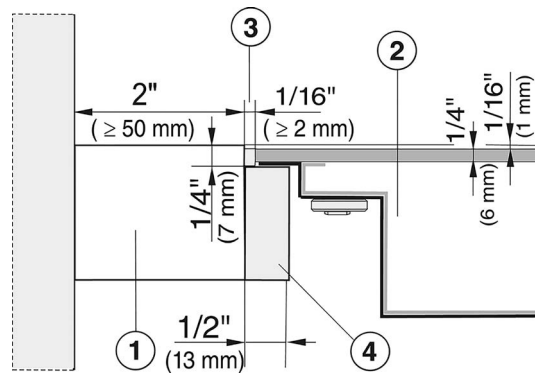
- ④ Stepped cut-out

36" Flush-Mounted Induction Cooktop KM 6375



INSTALLATION SAFETY CLEARANCE

Front Side View Of Flush Mount
Installation for Solid Wood, Tiled, Or
Glass Countertops



- ① Countertop
- ② Cooktop
- ③ Gap
- ④ Wooden frame $\frac{1}{2}$ " (13 mm) (not supplied with appliance)

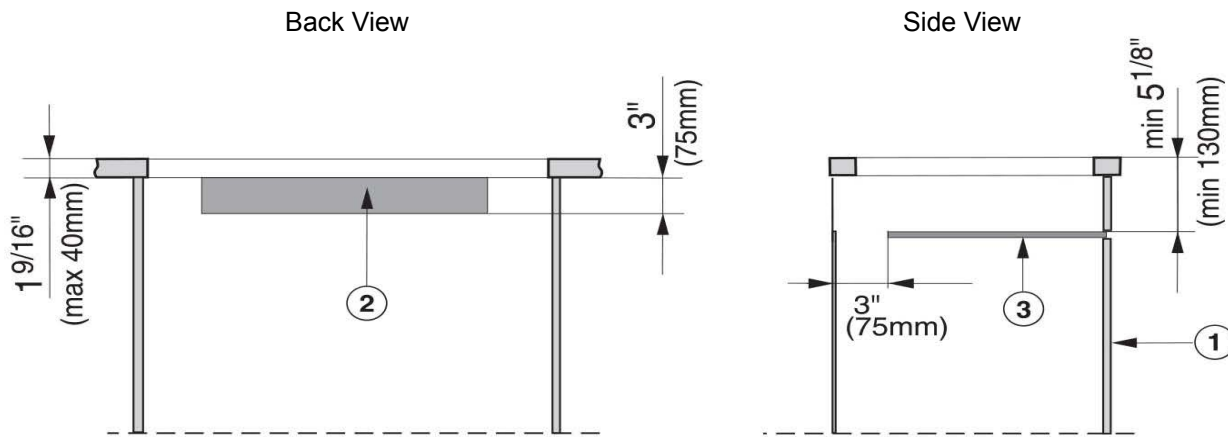
As the ceramic glass slab and the counter cut-out have a certain dimensional tolerance, the width of the gap ③ (min. $\frac{1}{16}$ " [2 mm]) can vary.

36" Flush-Mounted Induction Cooktop KM 6375



INSTALLATION

Ventilations



- ① Front of cooktop
- ② Cut-out in cabinet for ventilation.
Shown as an example in the rear wall of the cabinet.
- ③ Protective base
Installation of a protective base under the cooktop is allowed but not required.
If a protective base is fitted, there must be a clearance of at least $5\frac{1}{8}$ " (130 mm) between the top of the protective base and the top of the countertop, for proper ventilation of the cooktop.
At the back there has to be a gap of 3" (75 mm) for the power cord.

Cooktop	Measurements cut-out
KM 6370 / KM 6375	90 sq-in. Example: 30" x 3" (762 x 75mm)

36" Flush-Mounted Induction Cooktop KM 6375



KM 6375 INDUCTION COOKTOP INSTALLATION IN COMBINATION WITH UNDERCOUNTER 30" MIELE OVEN H6x80BP

Countertop Thickness vs. Toekick Height

Taken into consideration:

- 35" tall cabinetry
- 3/4" (exact) platform thickness under oven/above toekick

		Toekick Height									
		3 1/2	3 3/4	4	4 1/4	4 1/2	4 3/4	5	5 1/4	5 3/4	6
Countertop Thickness	1 1/8	OK	OK	NA	NA	NA	NA	NA	NA	NA	NA
	1 1/4	OK	OK	NA	NA	NA	NA	NA	NA	NA	NA
	1 3/8	OK	OK	OK	NA	NA	NA	NA	NA	NA	NA
	1 1/2	OK	OK	OK	NA	NA	NA	NA	NA	NA	NA
	1 9/16	OK	OK	OK	NA	NA	NA	NA	NA	NA	NA