

Fully Integrated
30" Freezer

F 1801 SF / F 1811 SF

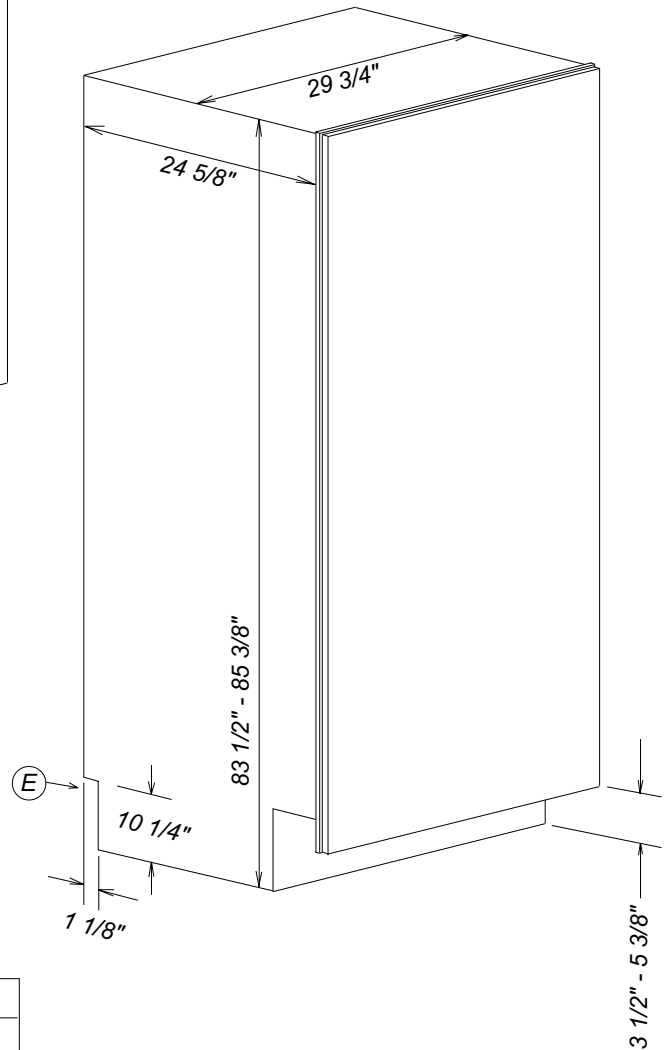
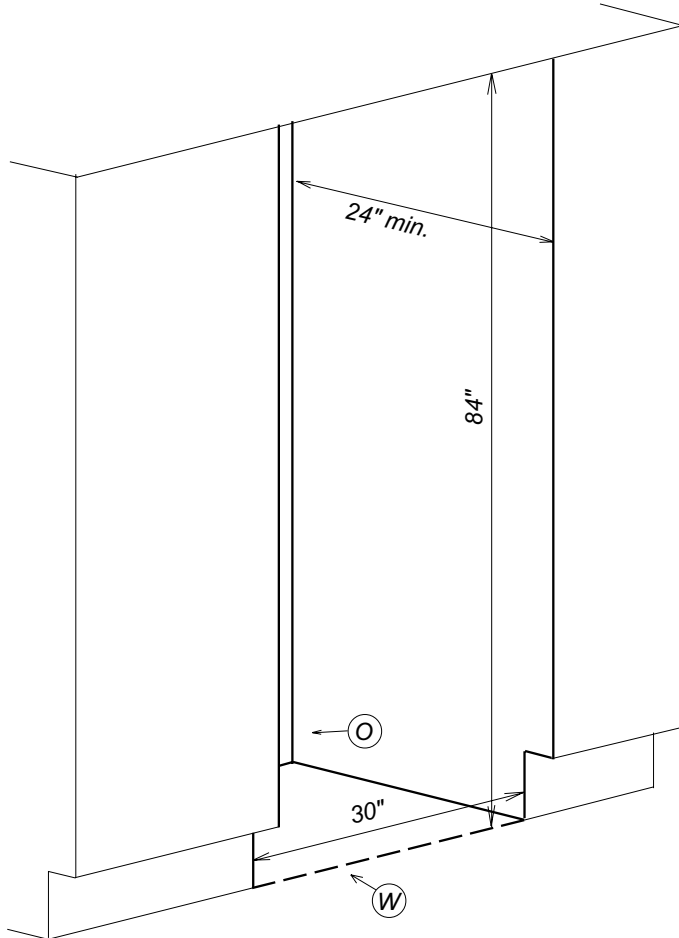


Fully Integrated 30" Freezer

F 1801 SF / F 1811 SF



FOR PROUD INSTALLATION



Location Codes

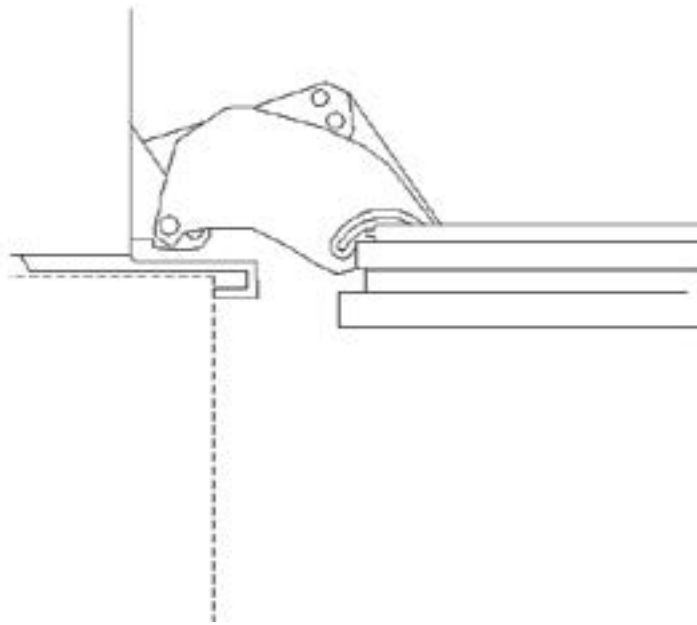
- E - 5 foot - 120 Volt - 15 Amp 3-wire molded plug power supply connects lower left rear*
- O - Standard NEMA 5-15 Duplex Outlet - locate less than 9" above finished floor*
- W - 1/4" flexible water line - tape to floor*

Notes

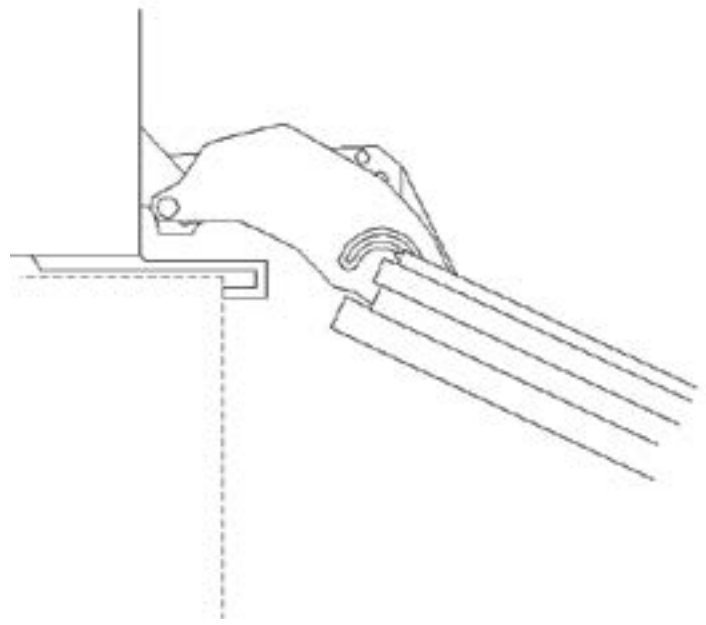
- All Installations must be done in accordance with local codes*

HINGING DETAILS

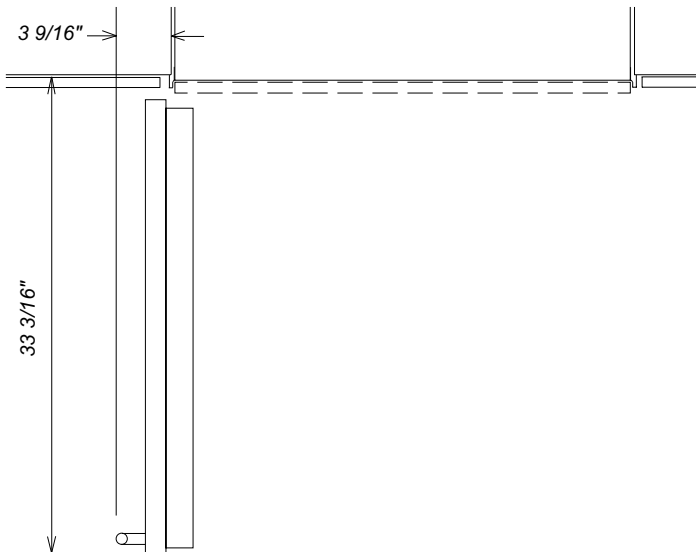
90° Door



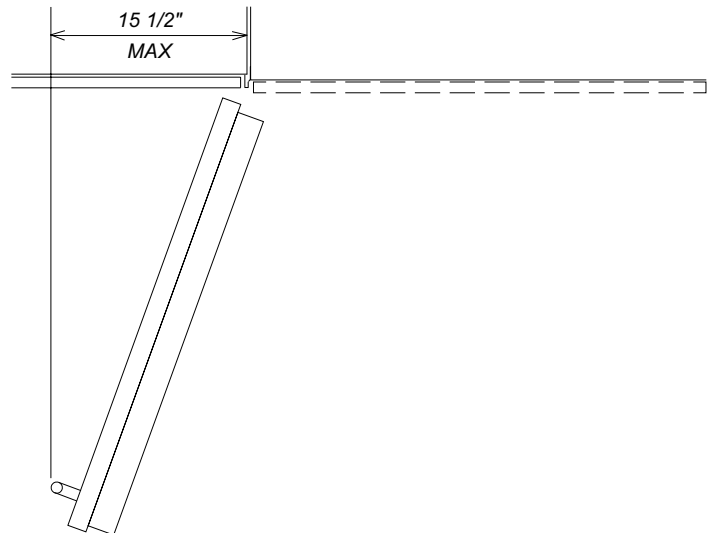
115° Door



Door Swing



Door Swing



NOTE: Additional space needed depending on the thickness of front panels and handle used.
Freezer units cannot be stop pinned at 90°

NOTE: Additional space needed depending on the thickness of front panels and handle used.
Freezer units cannot be stop pinned at 90°