

**Miele**

Fully Integrated  
30" Freezer

F 1813 Vi / F 1803 Vi



## Fully Integrated 30" Freezer F 1813 Vi / F 1803 Vi



### F 1813 Vi / F 1803 Vi

#### Features:

- MasterCool controls
- ClearView lighting system
- Drop and Lock Shelves
- SmartFresh storage drawers
- FullView storage drawers
- Ice maker
- RemoteVision capable
- Acoustic door and temperature alarm
- Optical door and temperature alarm
- Energy Star

#### SPECIFICATIONS

**F 1803 Vi** — Item 37180301USA - Right Hinged

**F 1813 Vi** — Item 37181301USA - Left Hinged

Overall Unit Width 29<sup>3</sup>/<sub>4</sub>" (756 mm)

Overall Unit Height 84" (2134 mm)

Overall Unit Depth 24" (610 mm)

#### Niche

Minimum Cabinet Opening Width 30" (762 mm)

Minimum Cabinet Opening Height 84" (2134 mm)

Minimum Cabinet Opening Depth 25" (635 mm)\*

#### Interior Volume

Freezer Volume 15.62 cu-ft (442.3 L)

#### Plumbing

**Water Supply Requirements** Connect to a cold water supply only. Do not connect to a low-mineral or a reverse osmosis system. Must be connected to a shut-off valve. The water shut-off valve must be accessible after installation. The water pressure must be between 25 psi (1.7 bar) and may not exceed 80 psi (5.5 bar). If the pressure is higher than 80 psi (5.5 bar), a pressure reducing valve must be installed.

#### Water Connection Line

Standard 1/4" O.D flexible water line. The maximum outer diameter of the water pipe (without fittings): 3/8" (10 mm). Water line is not included.

#### Electrical

Electrical Requirements - Volts/Amps 110V / 120V, 60Hz, 15 Amps

In the case of side-by-side installations, a separate outlet must be used for each appliance.

Power Cord - Plug and length

NEMA 5-15 plug, 5 ft (1.52 m)

#### Custom Panel

**Please refer to the manual for further details.**

Maximum Panel Weight

106 lbs (48 kg)

Maximum Panel Thickness

1<sup>1</sup>/<sub>2</sub>" (38 mm)

Minimum Panel Thickness

<sup>3</sup>/<sub>4</sub>" (19 mm)

#### Shipping

Shipping Weight

470.7 lbs (213.5 kg)

Shipping Dimensions

33<sup>5</sup>/<sub>8</sub>" W x 89<sup>13</sup>/<sub>16</sub>" H x 29<sup>1</sup>/<sub>4</sub>" D

#### Support

Call Miele

(800) 999-1360

Miele Website

[www.mieleusa.com](http://www.mieleusa.com)

20/20 Link

[2020technologies.com](http://2020technologies.com)

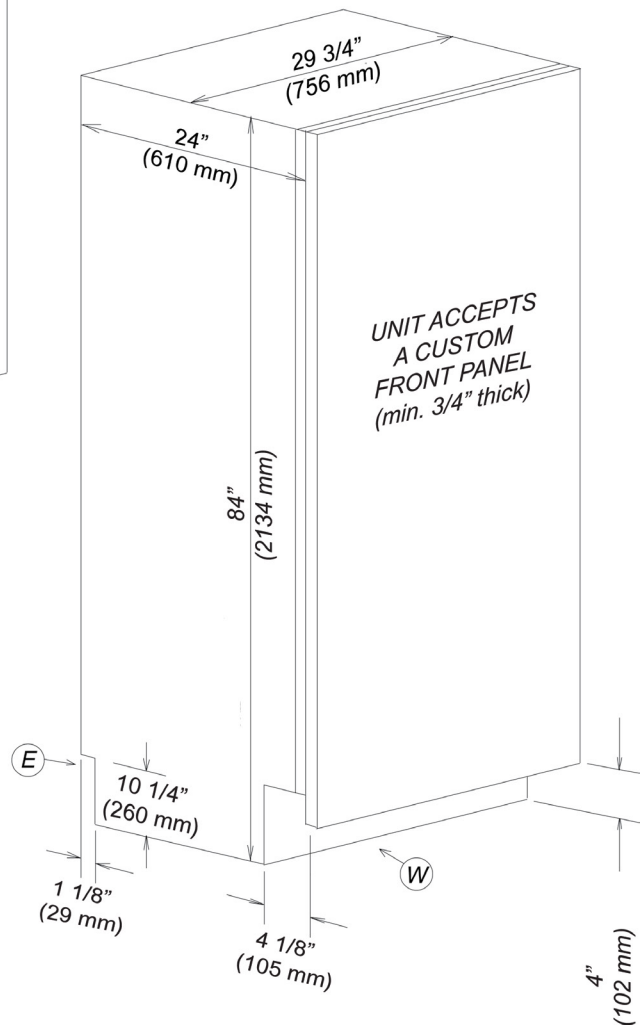
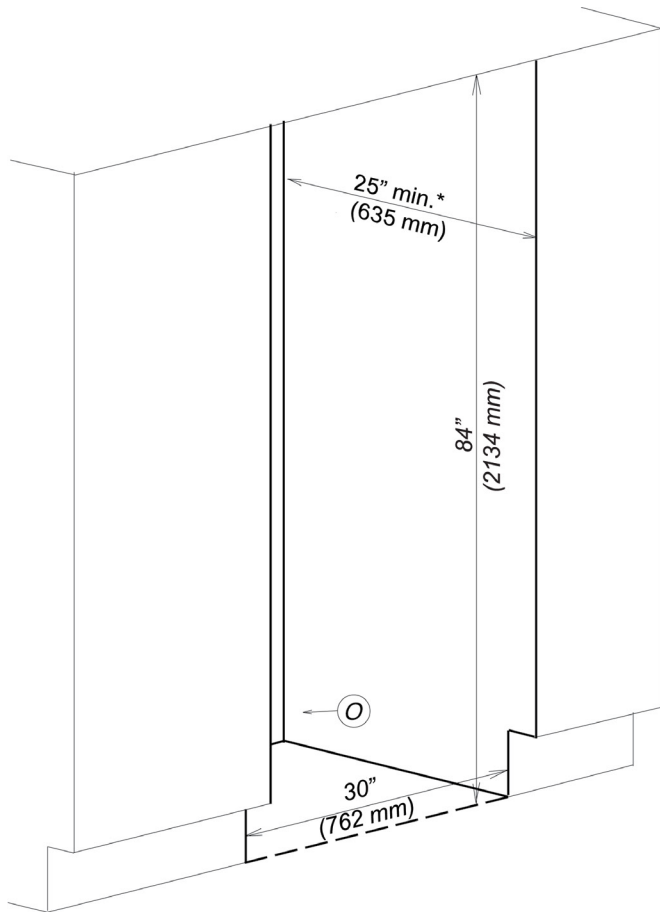
Please note the following:

- This specification sheet is for a single built-in unit.
- When combining multiple MasterCool units side-by-side, please refer to the Merging Kit specification sheet.

\*If design calls for a partition less than 6 <sup>5</sup>/<sub>16</sub>" (160 mm) the left unit's cutout will require an additional <sup>1</sup>/<sub>8</sub>" (3 mm) to the width to allow installation of the Heating Mat/Merge Kit.

## Fully Integrated 30" Freezer F 1813 Vi / F 1803 Vi

### FOR FLUSH INSTALLATION



\* Niche depth assumes a 3/4" (19 mm) panel, please adjust according to custom panel thickness

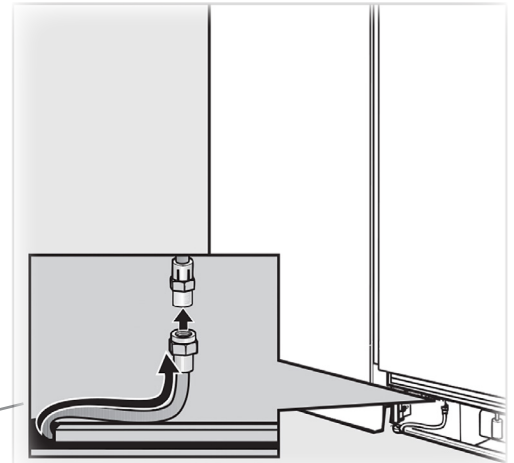
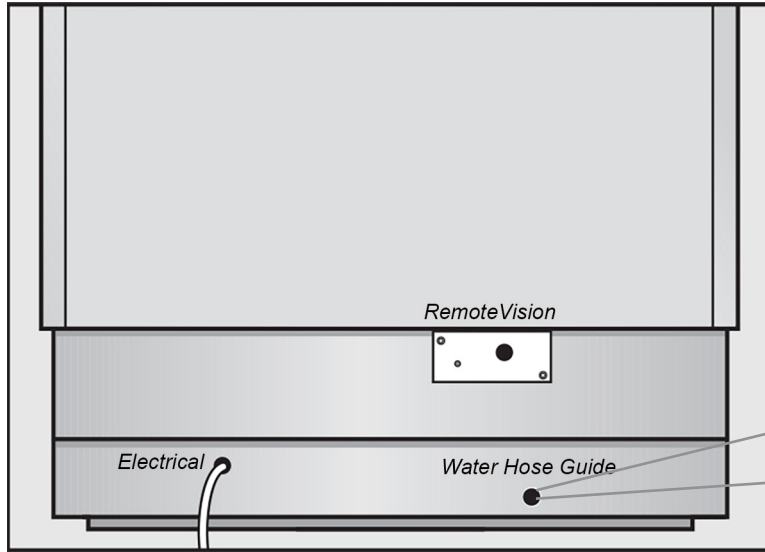
- E - 5 foot - Nema 5-15 molded plug power cord - connects lower left rear
- O - Standard NEMA 5-15 Outlet - locate less than 9" above finished floor
- W - 1/4" flexible water line - not included

#### Notes

- All Installations must be done in accordance with local codes
- Sides of adjoining cabinets should be filled (flush to frame) to insure proper fit and finish
- For side-by-side installation please refer to the Miele merging kit specification sheet - Some merge kits will require the location of the Electrical outlet(s) to be in adjacent cabinetry
- If design calls for a partition less than 6 5/16" (160 mm) the left unit's cutout will require an additional 1/8" (3 mm) to the width to allow installation of the Heating Mat.

## Fully Integrated 30" Freezer F 1813 Vi / F 1803 Vi

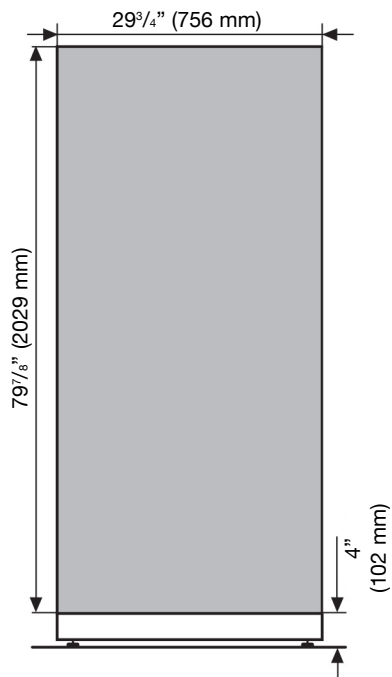
### POWER SUPPLY AND WATER CONNECTION BACK VIEW



Water connection is located in front of unit.  
1/4" compression fitting is needed.

Electrical - 5 foot (1.52 m) - 120 Volt - 15 Amp - NEMA 5-15 molded plug  
Water line - 1/4" flexible water line - not included

### DOOR PANEL DIMENSIONS KFP 3003 (Available as an accessory)

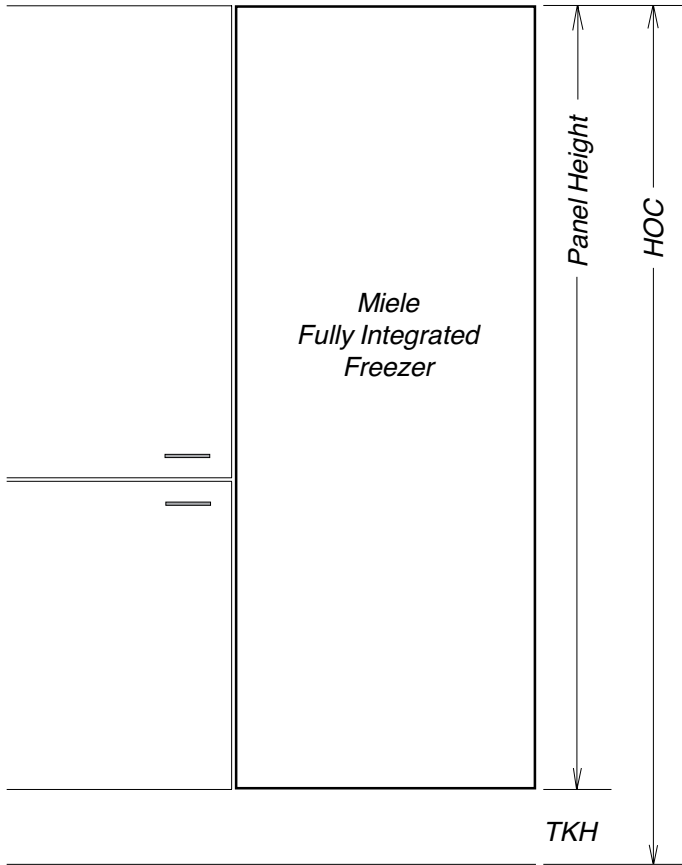


## Fully Integrated 30" Freezer F 1813 Vi / F 1803 Vi

### CUSTOM PANEL INSTALLATIONS

**These units do not come equipped with a front panel.** They are designed to accept a custom door panel supplied by the cabinet maker. Miele has a unique panel integration system which allows the panels to align with the surrounding cabinets.

Panel size is determined in the following manner:



**Width:** 29 3/4" (756 mm) in all cases

**Thickness:** Minimum 3/4" (19 mm) outside frame

**Height:** Determined using the following calculation:

$$\text{Panel Height} = \text{HOC} - \text{TKH}$$

**HOC** = Total height of cabinet or side panel

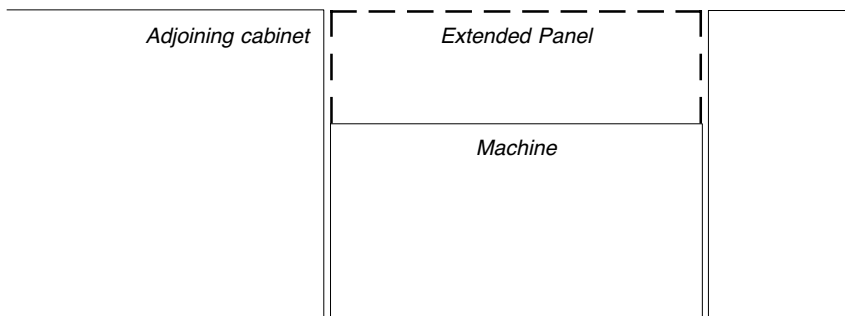
**TKH** = Toe-kick height

**Note:** Finish back side of panels to insure appearance  
Panel may extend above unit. This is **not** considered in height calculation

**Maximum panel weight:** 106 Pounds

### Panel Notes

If the adjoining cabinets are taller than the height of machine (HOM) - the front panel may be extended accordingly. Simply maintain the toekick height and extend the panel the needed distance.

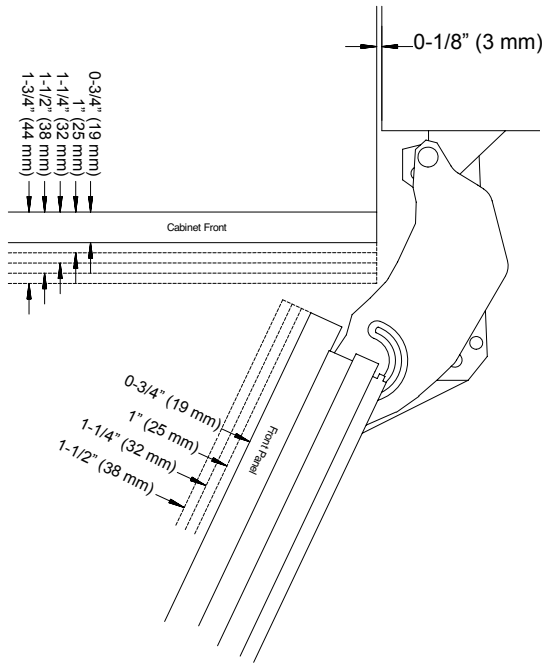


## Fully Integrated 30" Freezer F 1813 Vi / F 1803 Vi

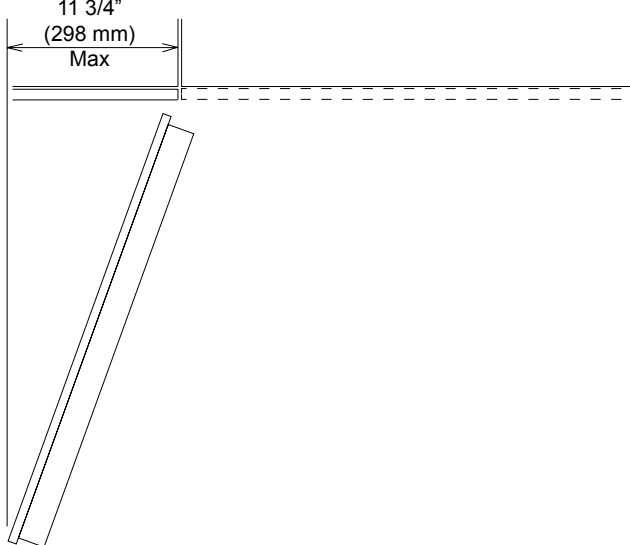
### HINGING DETAILS

#### 115° Door

*Thickness options*



#### *Door Swing*



**NOTE:** Additional space needed depending on the thickness of front panels and handle used.  
**Freezer units cannot be stop pinned at 90°**

## Fully Integrated 30" Freezer F 1813 Vi / F 1803 Vi

### HINGING DETAILS 115° OPENING

