

Fully Integrated  
36" Freezer

F 1901 SF / F 1911 SF

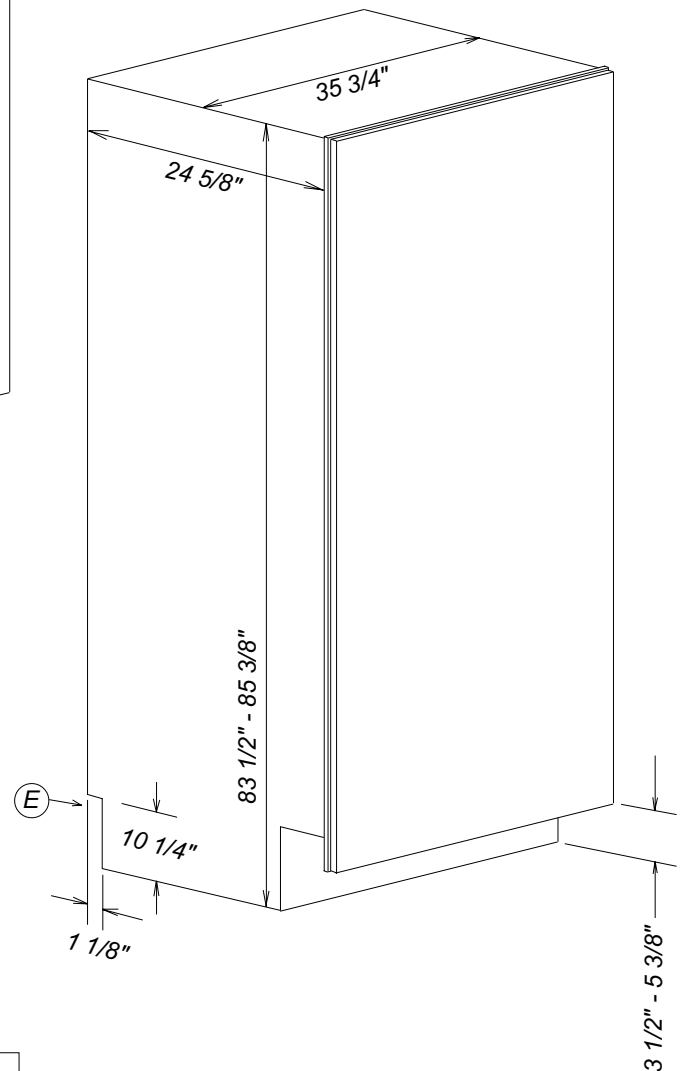
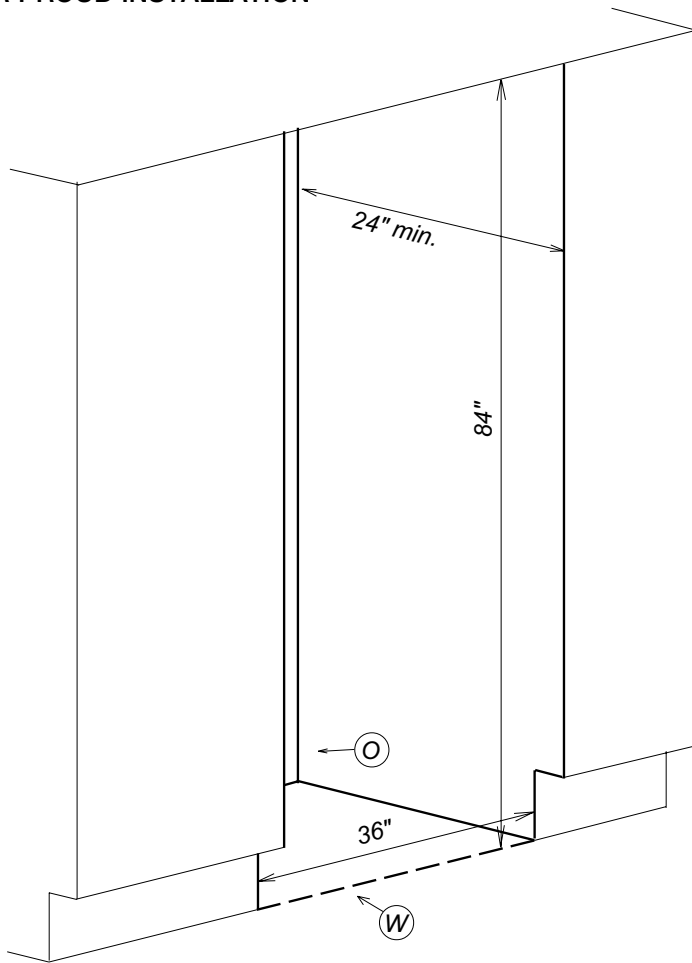


# Fully Integrated 36" Freezer

## F 1901 SF / F 1911 SF



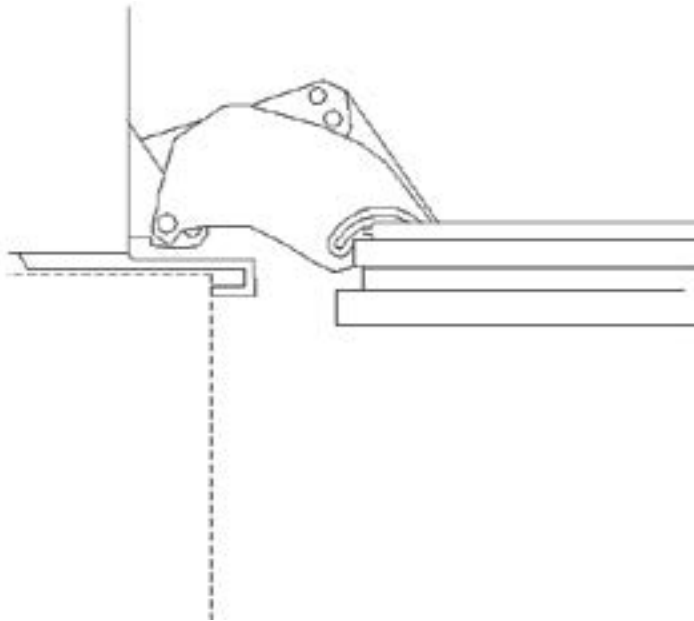
FOR PROUD INSTALLATION



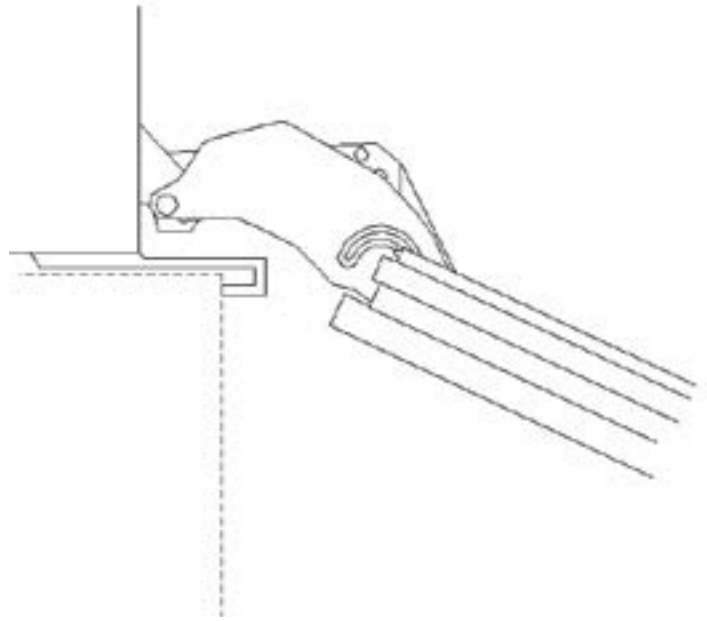
| Location Codes  |
|---|
| E - 5 foot - 120 Volt - 15 Amp 3-wire molded plug power supply connects lower left rear |
| O - Standard NEMA 5-15 Duplex Outlet - locate less than 9" above finished floor         |
| W - 1/4" flexible water line - tape to floor  |
| Notes   |
| • All Installations must be done in accordance with local codes                         |

HINGING DETAILS

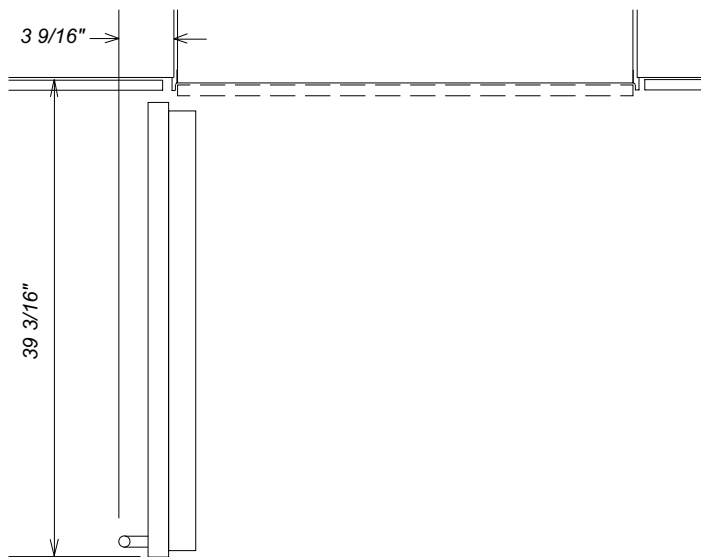
90° Door



115° Door



Door Swing



Door Swing

