

Miele

Fully Integrated
30" Refrigerator

K 1813 Vi / K 1803 Vi



Fully Integrated 30" Refrigerator K 1813 Vi / K 1803 Vi



K 1813 Vi / K 1803 Vi

Features:

- MasterCool controls
- ClearView lighting system
- Drop and Lock Shelves
- SmartFresh storage drawers
- FullView storage drawers
- RemoteVision capable
- Acoustic door and temperature alarm
- Optical door and temperature alarm
- Energy Star

SPECIFICATIONS

K 1803 Vi — Item 36180301USA - Right Hinged

K 1813 Vi — Item 36181301USA - Left Hinged

Overall Unit Width 29³/₄" (756 mm)

Overall Unit Height 84" (2134 mm)

Overall Unit Depth 24" (610 mm)

Niche

Minimum Cabinet Opening Width 30" (762 mm)

Minimum Cabinet Opening Height 84" (2134 mm)

Minimum Cabinet Opening Depth 25" (635 mm)*

Interior Volume

Fresh Food Volume 16.27 cu-ft (460.7 L)

Electrical

Electrical Requirements - Volts/Amps 110V / 120V, 60Hz, 15 Amps
In the case of side-by-side installations, a separate outlet must be used for each appliance.

Power Cord - Plug and length NEMA 5-15 plug, 5 ft (1.52 m)

Custom Panel **Please refer to the manual for further details.**

Maximum Panel Weight 110 lbs (50 kg)

Maximum Panel Thickness 1¹/₂" (38 mm)

Minimum Panel Thickness ³/₄" (19 mm)

Shipping

Shipping Weight 470.7 lbs (213.5 kg)

Shipping Dimensions 33⁵/₈" W x 89¹³/₁₆" H x 29¹/₄" D

Support

Call Miele (800) 999-1360

Miele Website www.mieleusa.com

20/20 Link 2020technologies.com

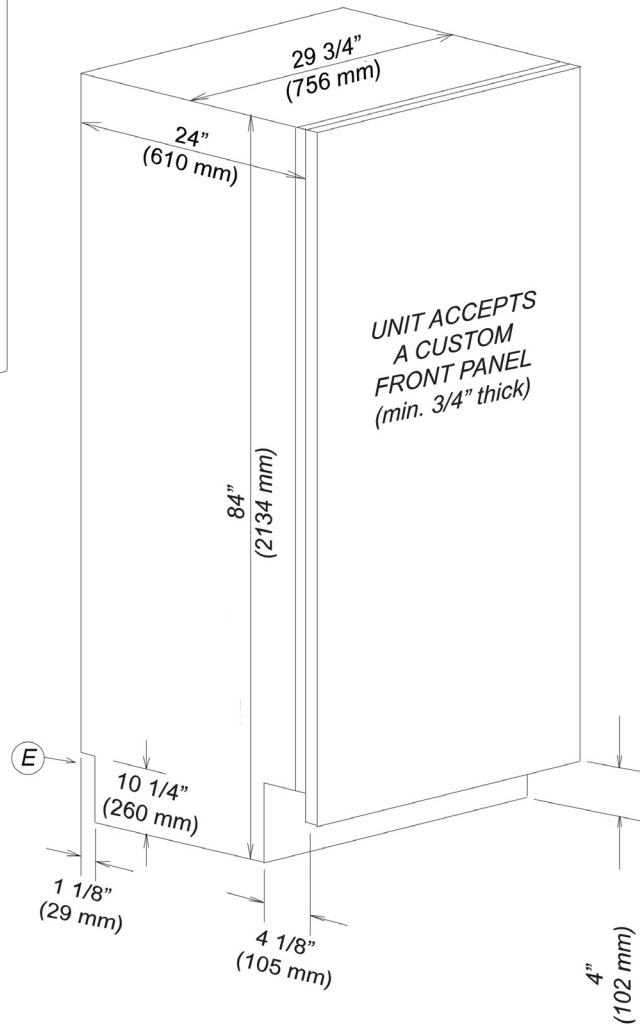
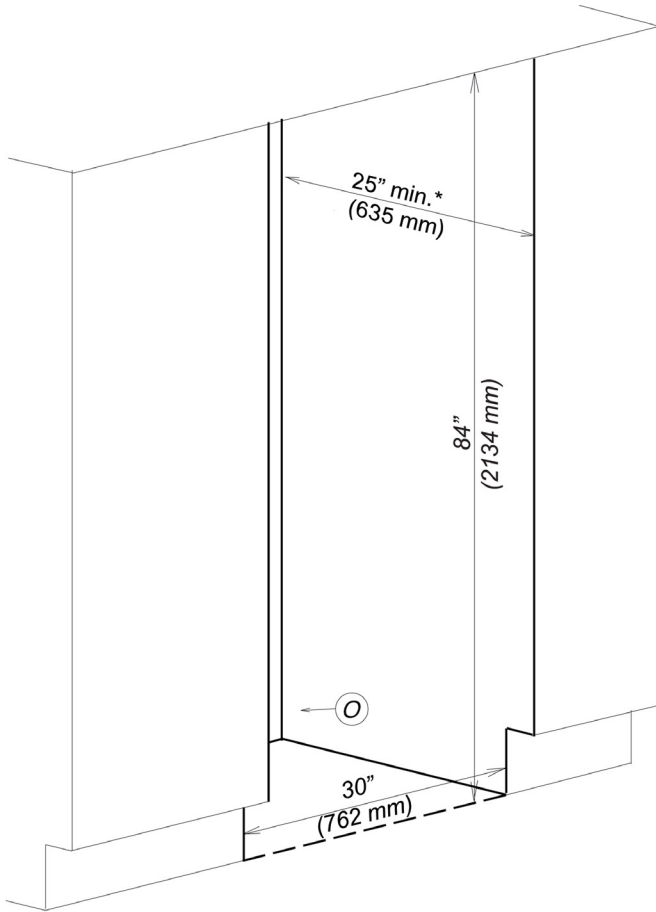
Please note the following:

- This specification sheet is for a single built-in unit.
- When combining multiple MasterCool units side-by-side, please refer to the Merging Kit specification sheet.

*If design calls for a partition less than 6 ⁵/₁₆" (160 mm) the left unit's cutout will require an additional ¹/₈" (3 mm) to the width to allow installation of the Heating Mat/Merge Kit.

Fully Integrated 30" Refrigerator K 1813 Vi / K 1803 Vi

FOR FLUSH INSTALLATION



* Niche depth assumes a 3/4" (19 mm) panel, please adjust according to custom panel thickness

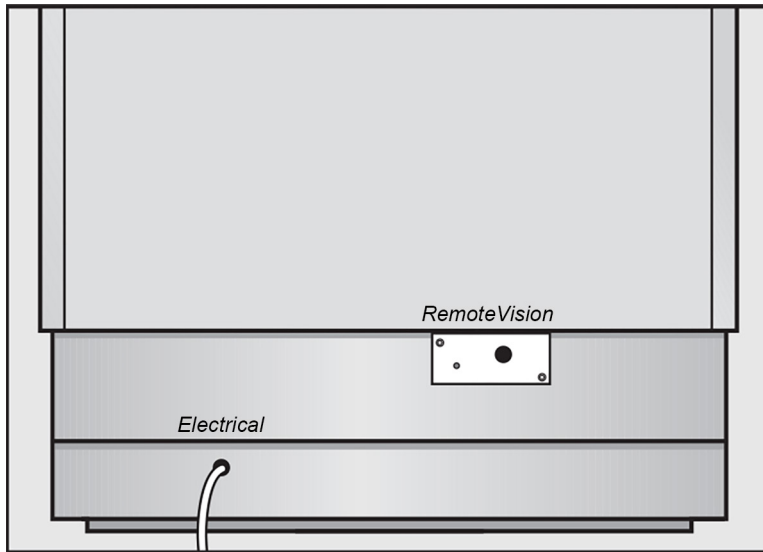
- E - 5 foot - Nema 5-15 molded plug power cord - connects lower left rear
- O - Standard NEMA 5-15 Outlet - locate less than 9" above finished floor

Notes

- All Installations must be done in accordance with local codes
- Sides of adjoining cabinets should be filled (flush to frame) to insure proper fit and finish
- For side-by-side installation please refer to the Miele merging kit specification sheet - Some merge kits will require the location of the Electrical outlet(s) to be in adjacent cabinetry
- If design calls for a partition less than 6 5/16" (160 mm) the left unit's cutout will require an additional 1/8" (3 mm) to the width to allow installation of the Heating Mat.

Fully Integrated 30" Refrigerator K 1813 Vi / K 1803 Vi

POWER SUPPLY CONNECTION BACK VIEW

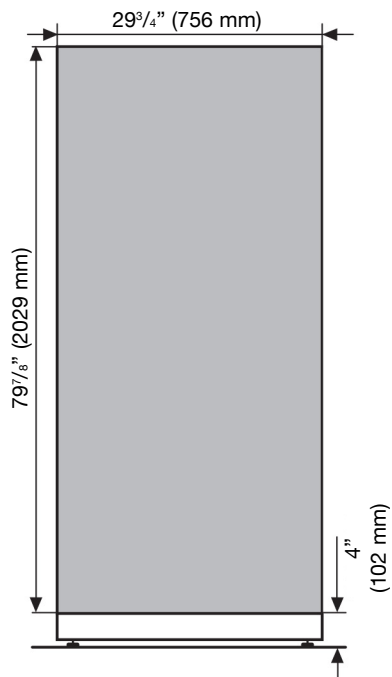


Electrical - 5 foot (1.52 m) - 120 Volt - 15 Amp - NEMA 5-15 molded plug

DOOR PANEL DIMENSIONS

KFP 3003

(Available as an accessory)

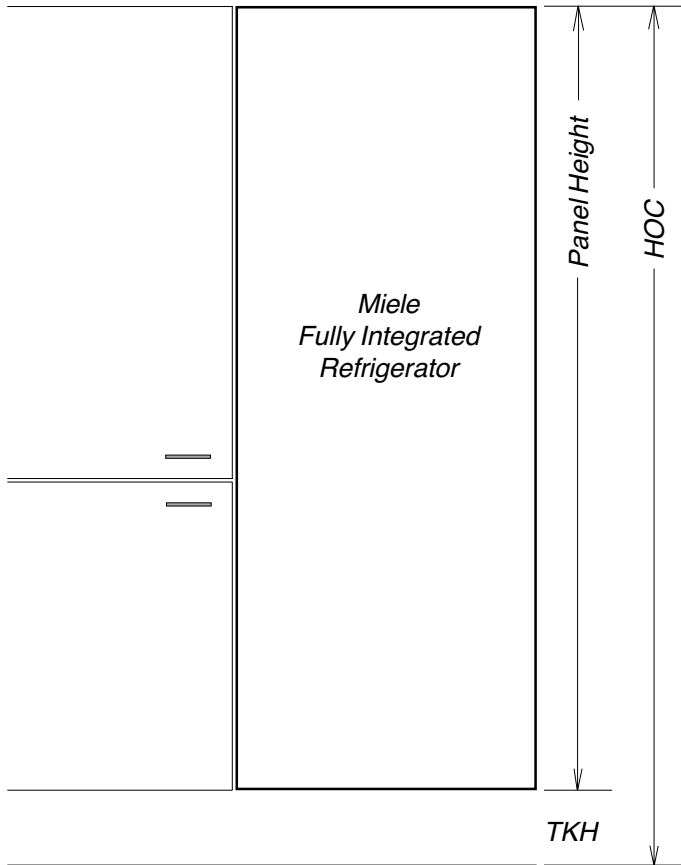


Fully Integrated 30" Refrigerator K 1813 Vi / K 1803 Vi

CUSTOM PANEL INSTALLATIONS

These units do not come equipped with a front panel. They are designed to accept a custom door panel supplied by the cabinet maker. Miele has a unique panel integration system which allows the panels to align with the surrounding cabinets.

Panel size is determined in the following manner:



Width: 29 3/4" (756 mm) in all cases

Thickness: Minimum 3/4" (19 mm) outside frame

Height: Determined using the following calculation:

$$\text{Panel Height} = \text{HOC} - \text{TKH}$$

HOC = Total height of cabinet or side panel

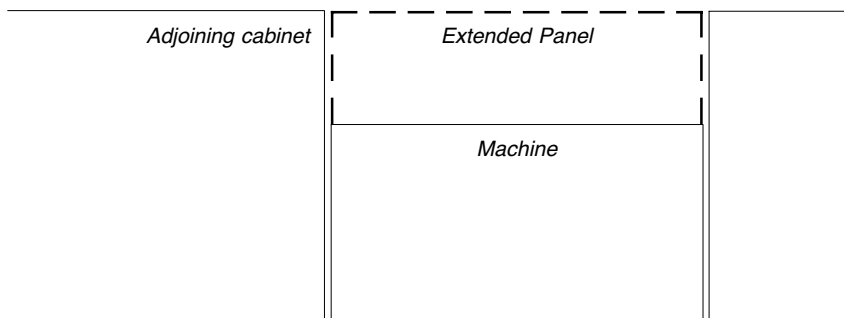
TKH = Toe-kick height

Note: Finish back side of panels to insure appearance
Panel may extend above unit. This is **not** considered in height calculation

Maximum panel weight: 110 Pounds

Panel Notes

If the adjoining cabinets are taller than the height of machine (HOM) - the front panel may be extended accordingly. Simply maintain the toekick height and extend the panel the needed distance.

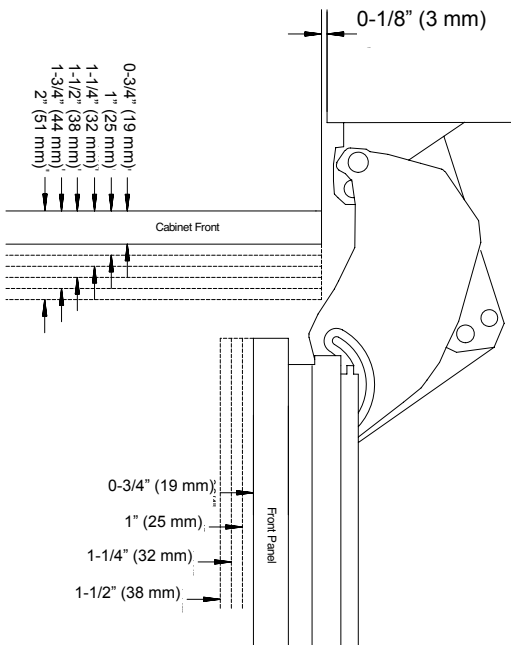


Fully Integrated 30" Refrigerator K 1813 Vi / K 1803 Vi

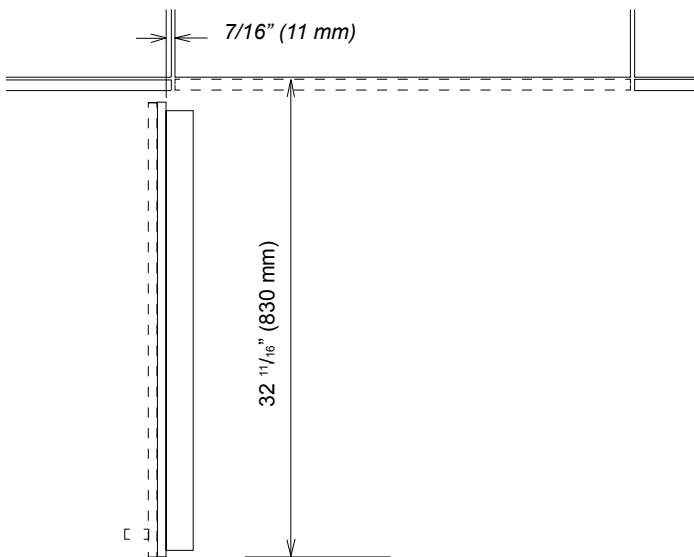
HINGING DETAILS

90° Door

Thickness options



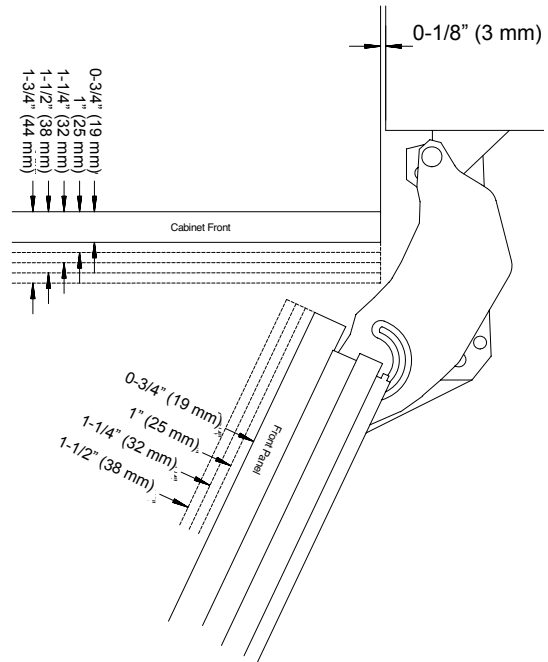
Door Swing



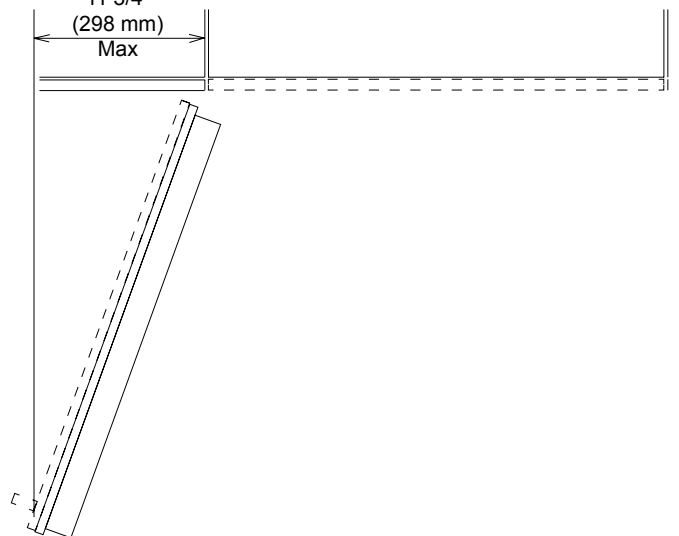
NOTE: Additional space needed depending on thickness of front panels and handle used

115° Door

Thickness options



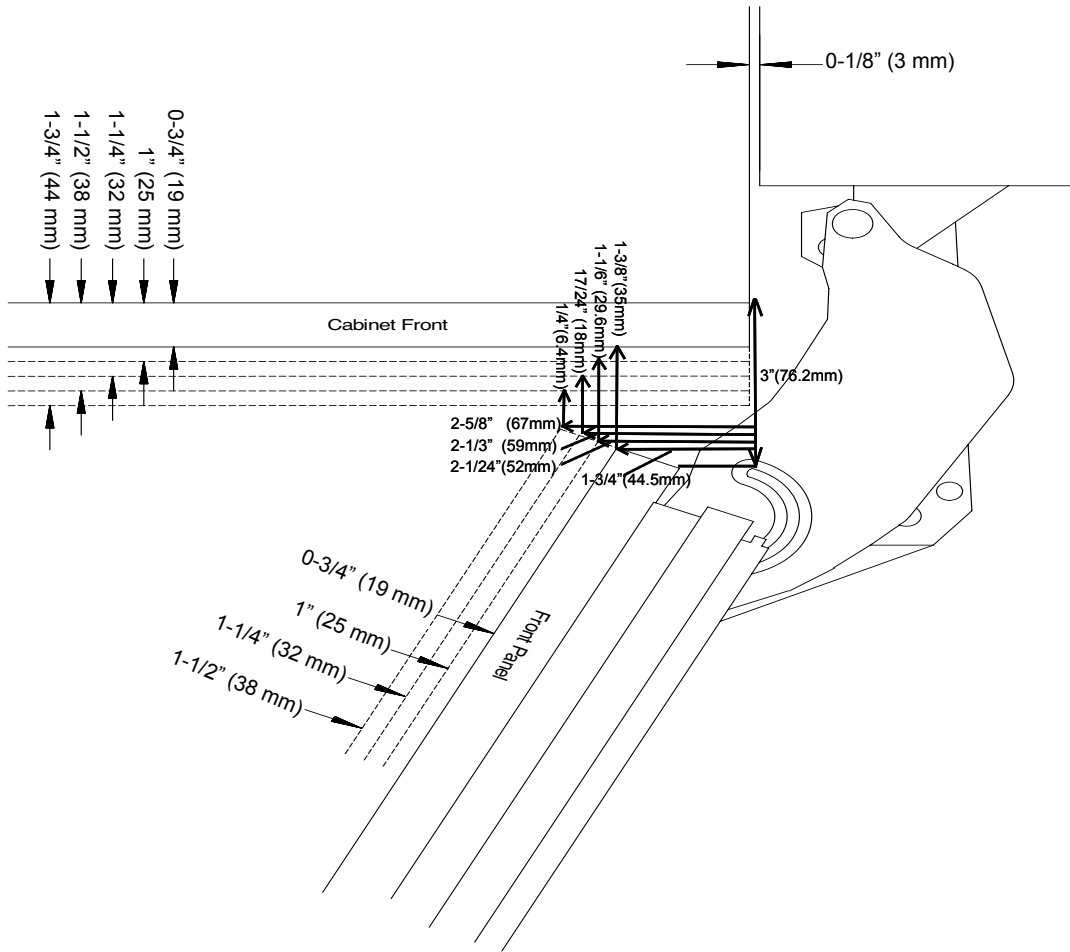
Door Swing



NOTE: Additional space needed depending on thickness of front panels and handle used

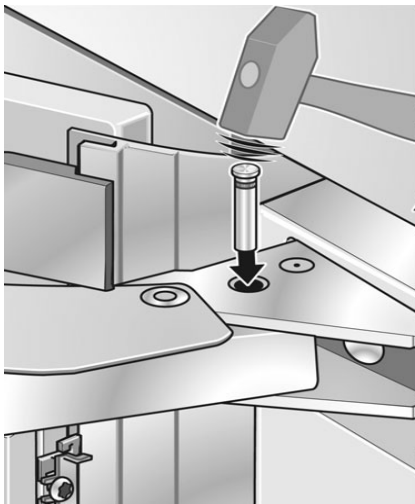
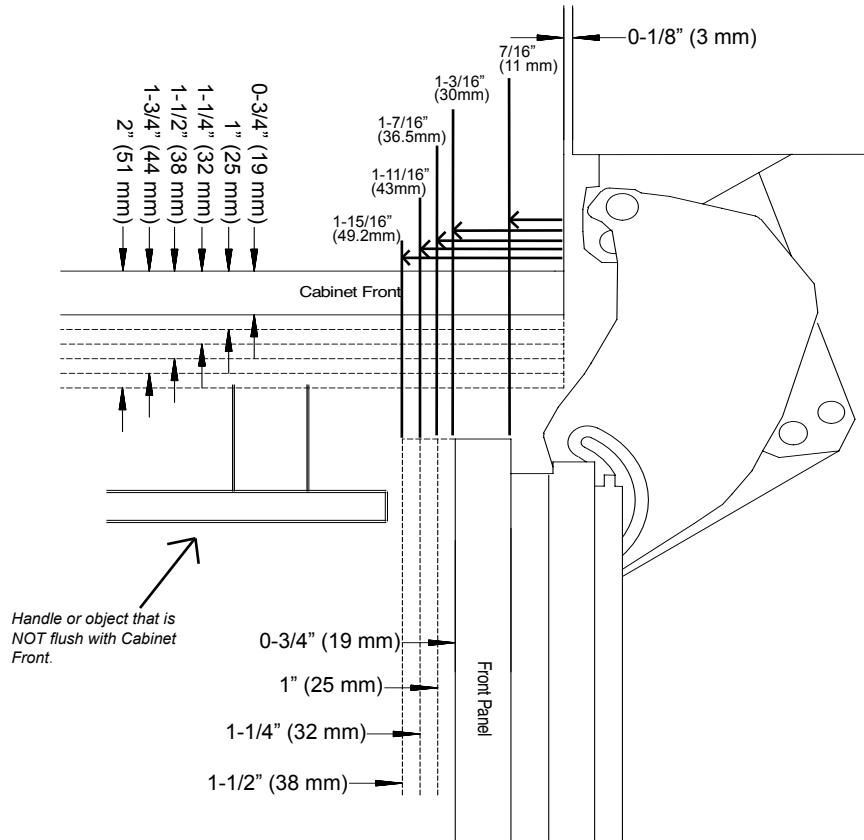
Fully Integrated 30" Refrigerator K 1813 Vi / K 1803 Vi

HINGING DETAILS 115° OPENING



Fully Integrated 30" Refrigerator K 1813 Vi / K 1803 Vi

HINGING DETAILS 90° OPENING



When installing hinge side next to an appliance or object that is within range of the door panel, limit the door opening angle to 90°. This is done by installing the banking pin as illustrated. Insert the banking pin through the holes and drive in with a hammer.