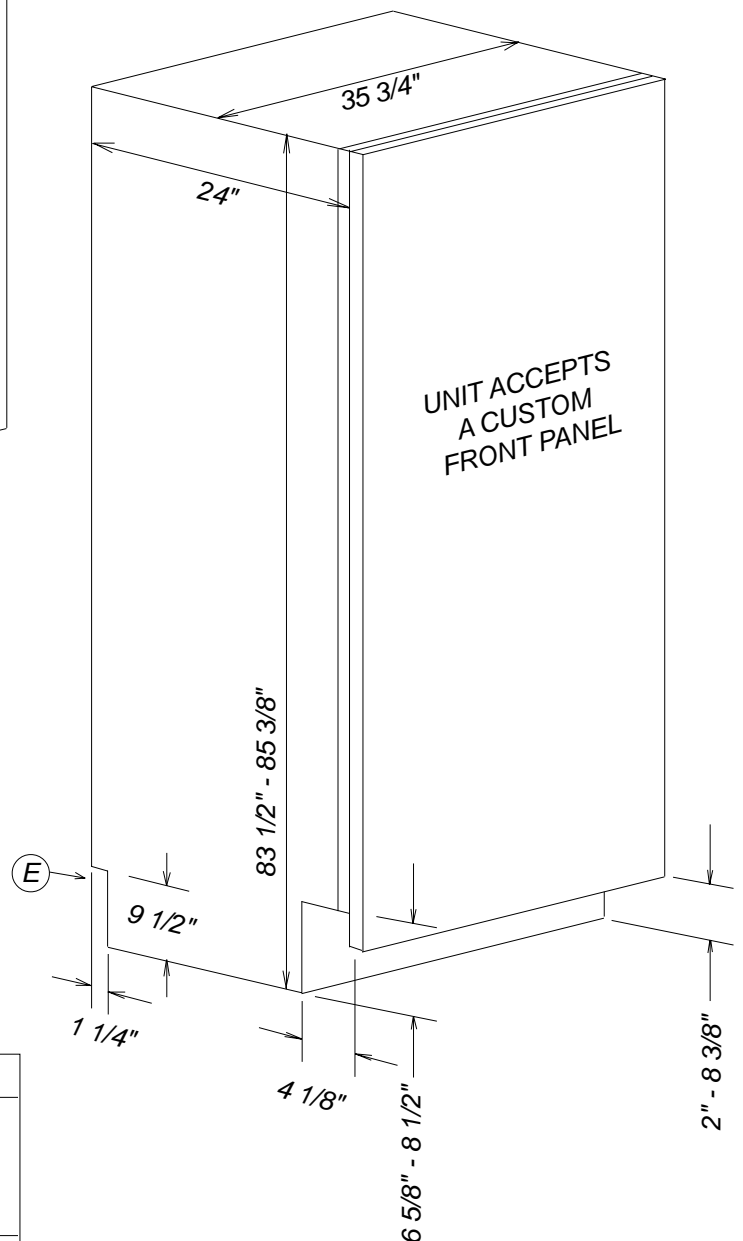
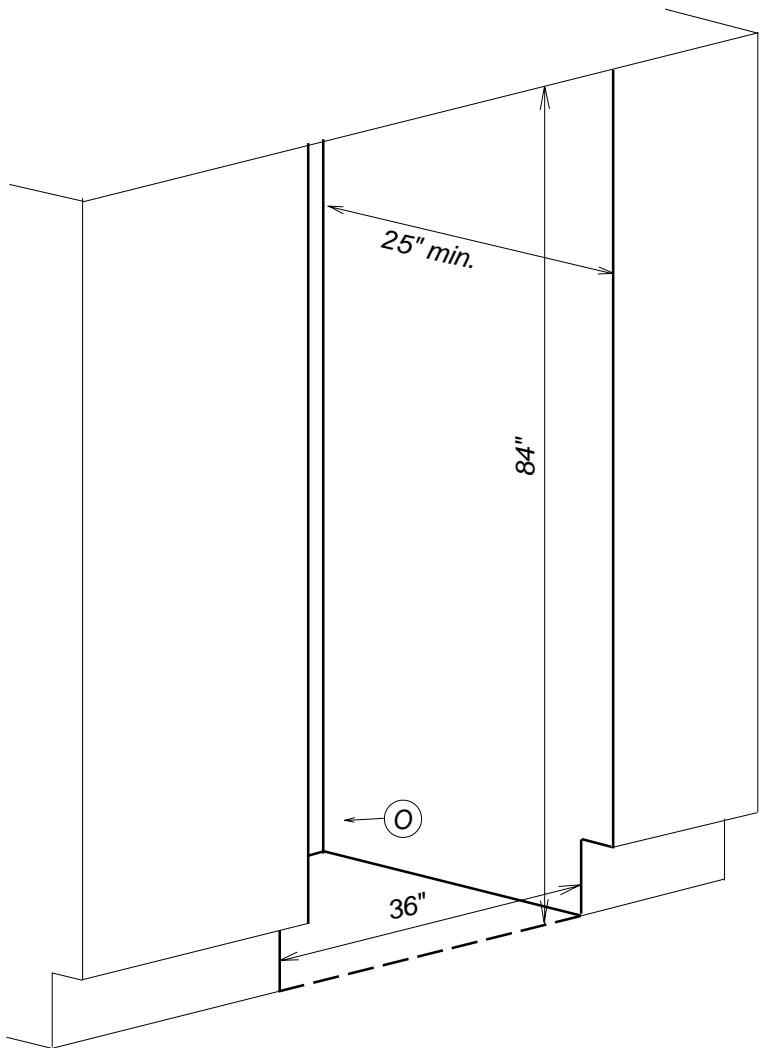


Product and Cut-out Dimensions K1911Vi / K1901Vi



Location Codes
E - 5 foot - 120 Volt - 15 Amp 3-wire molded plug power supply connects lower left rear.
O - Standard NEMA 5-15 Outlet - locate less than 9" above finished floor
Notes
<ul style="list-style-type: none"> • All Installations must be done in accordance with local codes • Sides of adjoining cabinets should be filled (flush to frame) to insure proper fit and finish

NOTE: Drawing is not to scale.
SPECIFICATION SHEETS 011208

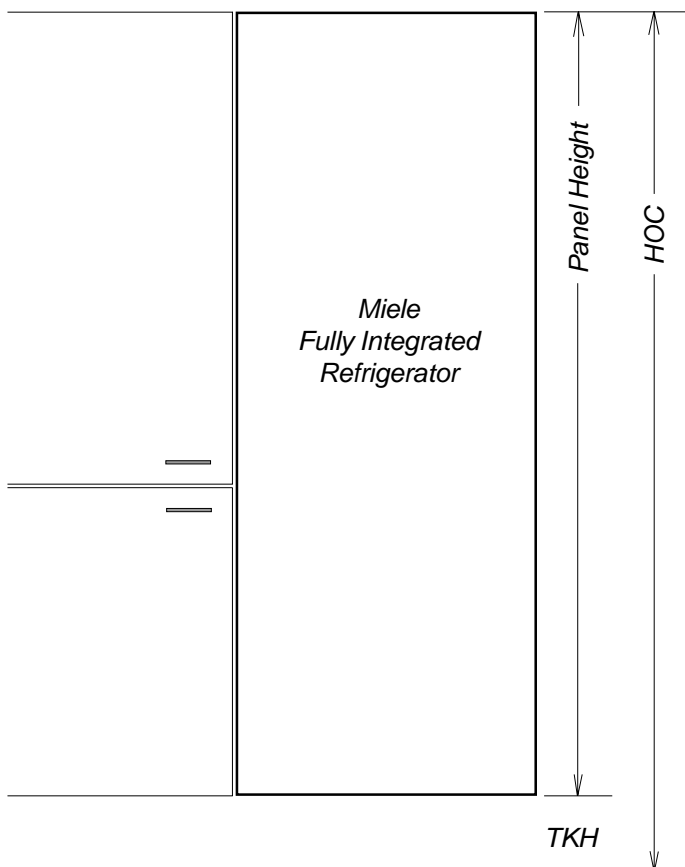
Front Panel Information Fully Integrated Model



Custom Panel Installations

These units do not come equipped with a front panel. They are designed to accept a custom door panel supplied by the cabinet maker. Miele has a unique panel integration system which allows the panels to align with the surrounding cabinets.

Panel size is determined in the following manner:



Width: 35 3/4" in all cases

Thickness: Minimum 3/4" outside frame

Height: Determined using the following calculation:

$$\text{Panel Height} = \text{HOC} - \text{TKH}$$

HOC = Total height of cabinet or side panel

TKH = Toe-kick height

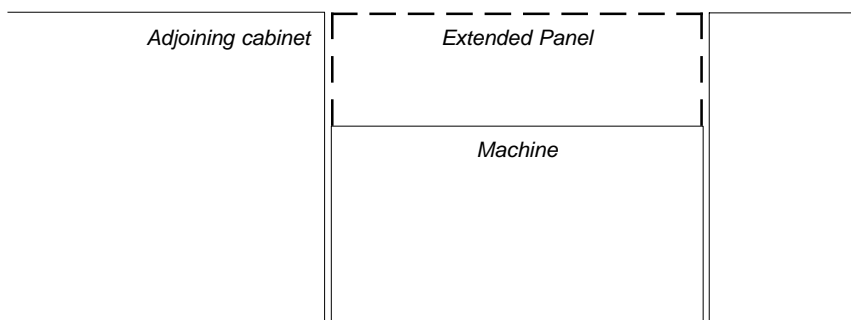
Note: Finish back side of panels to insure appearance
Panel may extend above unit. This is **not** considered in height calculation

Maximum hinge capacity: 200 Pounds

Maximum panel weight: 67 Pounds

Panel Notes

If the adjoining cabinets are taller than the height of machine (HOM) - the front panel may be extended accordingly. Simply maintain the toekick height and extend the panel the needed distance.



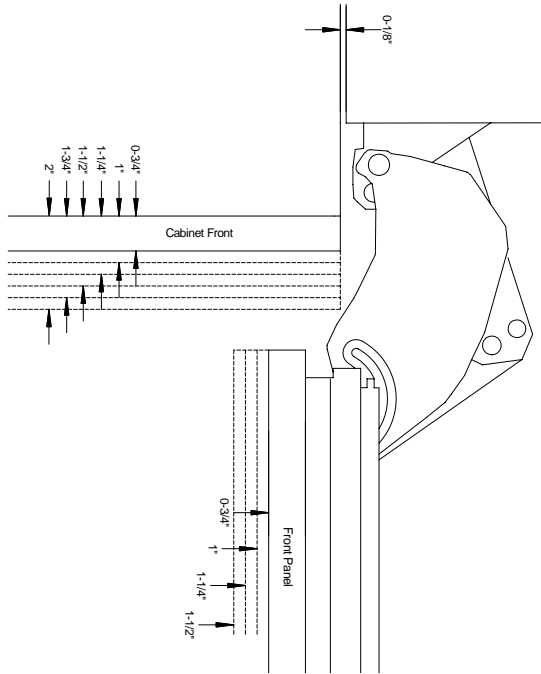
Front Panel Information

Hinging Details

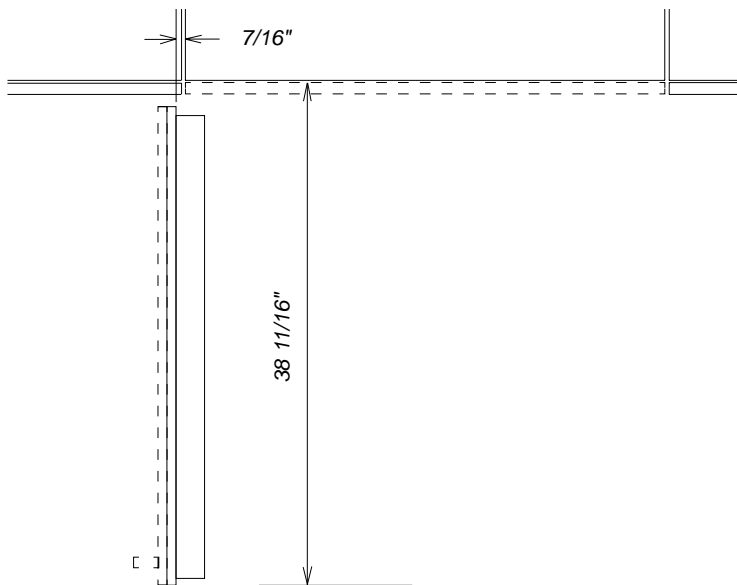


90° Door

Thickness options



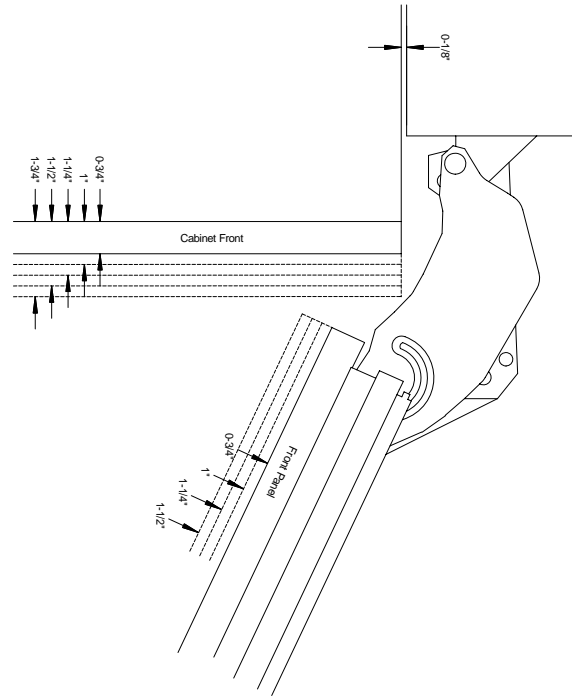
Door Swing



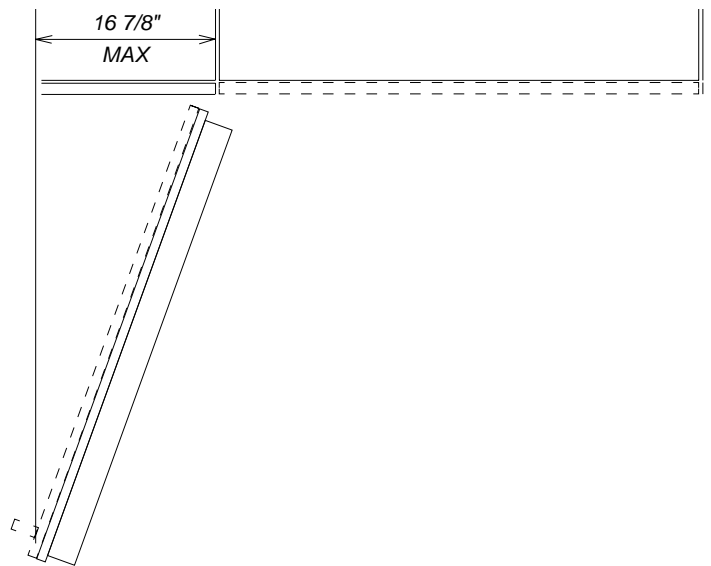
NOTE: Additional space needed depending on thickness of front panels and handle used

115° Door

Thickness options



Door Swing



NOTE: Additional space needed depending on thickness of front panels and handle used