

30" Bottom Mount Refrigerator

KFN 9855 iDE LI/ KFN 9855 iDE RE



30" Bottom Mount Refrigerator KFN 9855 iDE

SPECIFICATIONS	
Overall Unit Dimensions	29 ⁷ / ₈ " (759 mm) W x 79 ¹³ / ₁₆ " (2,027 mm) H x 24" (610 mm) D
Niche	
Minimum Niche Opening Dimensions	30" (762 mm) W x 80" (2,032 mm) H x 24" (610 mm) D
Interior Volume	
Fresh Food Volume	9.8 cu-ft (277.5 L)
Freezer Volume	4.3 cu-ft (127 L)
Plumbing	
Water Supply Requirements	Connect to a cold water supply only. Must be connected to a shut-off valve. The water shut-off valve must be accessible after installation. The water pressure must be between 22 psi (1.5 bar) and may not exceed 87 psi (6 bar). If the pressure is higher than 87 psi (6 bar), a pressure reducing valve must be installed.
Water Connection Line	Unit comes with a male 3/4" BPT connection on back of unit. The connection parts included with the appliance permit the connection of various water lines (included 1/4" compression fitting). Water line is not included.
Electrical	
Electrical Requirements - Volts/Amps	110V / 120V, 60Hz, 15A (single) 110V / 120V, 60Hz, 20A (2 Individual units installed side-by-side, using a Duplex outlet)
Power Cord - Plug	NEMA 5-15 plug, 6' 6" (2 m)
Custom Panel - Refer to manual for further detail	
Maximum Refrigerator Door Panel Weight	60 lbs (27 kg)
Maximum Freezer Door Panel Weight Each	26.5 lbs (12 kg)
Maximum Panel Thickness	3/4" (19 mm)
Minimum Panel Thickness	5/8" (16 mm)
Shipping	
Shipping Weight	345 lbs (156.5 kg)
Shipping Dimension	32 ⁵ / ₁₆ " W x 82 ¹¹ / ₁₆ " H x 29 ¹ / ₈ " D
Support	
Call Miele	(800) 999-1360
Miele Website	www.mieleusa.com
20/20 Link	2020technologies.com



KFN 9855 iDE LI (Left Hinged)
Item 38985552CDN

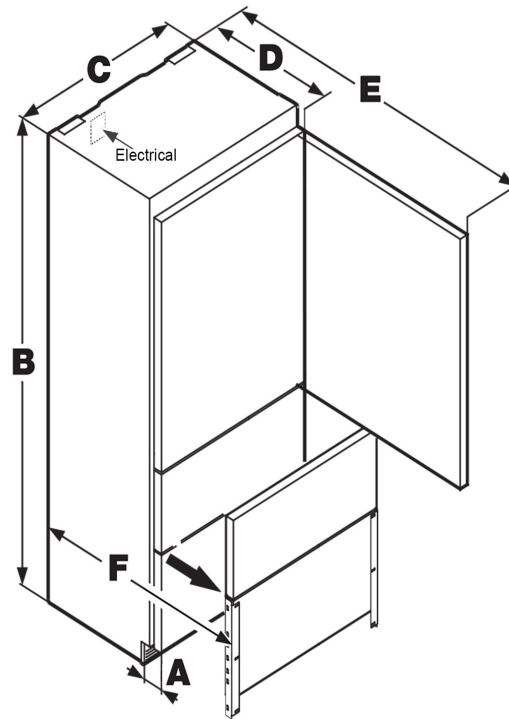


KFN 9855 iDE RE (Right Hinged)
Item 38985551CDN

Hinging is not field reversible.

30" Bottom Mount Refrigerator KFN 9855 iDE

Unit Dimensions

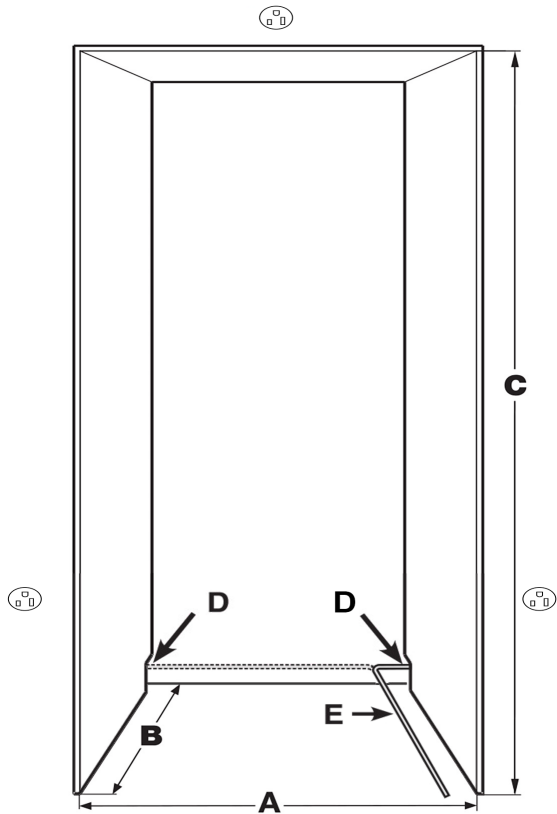


	A	B	C	D	E	F
KFN 9855 iDE	3" (76 mm)	79-13/16" (2,027 mm)	29-7/8" (759 mm)	24" (610 mm)	55-1/4" (1,413 mm)	37-1/8" (952 mm)

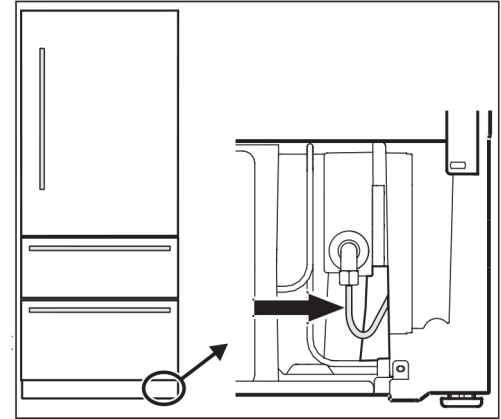
Power Cord exits at the top right when looking at the rear of the unit.

30" Bottom Mount Refrigerator KFN 9855 iDE

Niche Dimensions and Water Supply Connection



Water Connection



Do not install the shut-off valve behind the appliance!

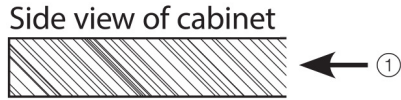
A Cabinet Width	B Inset cabinet Depth	B Frameless/facefra me cabinet Depth	C Cabinet Height
30" (762 mm)	24" (610 mm) + panel thickness	24" (610 mm)	80" (2,032 mm)

For appliance with panel to be flush, adjacent cabinetry depth must equal appliance depth (24") (610mm) plus panel thickness (5/8" – 3/4") (16mm - 19mm).

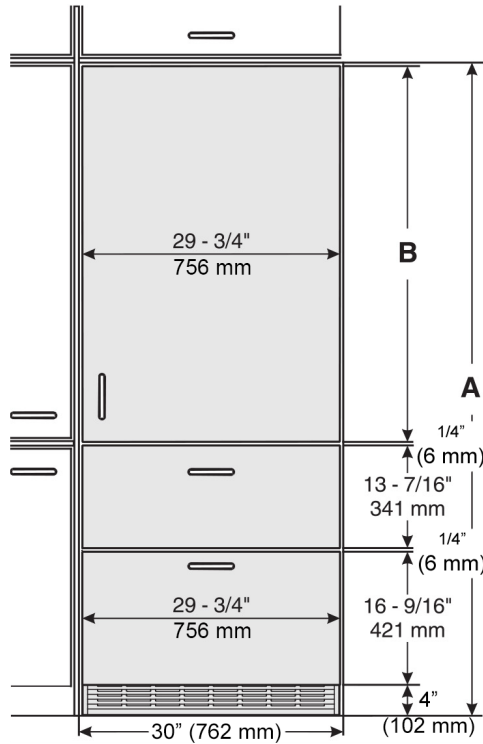
- Water line feed-in (D) from left or right above the anti-tipping bracket.
- The water line lead-through for the water supply line (E) is at the bottom right of the appliance.

30" Bottom Mount Refrigerator KFN 9855 iDE

Inset Installation Panel Dimensions

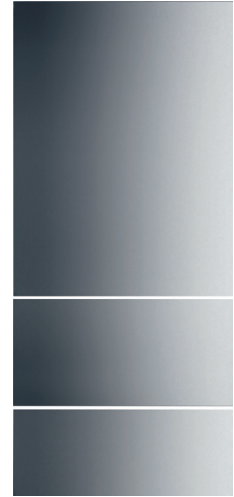


- ① Cabinet frame
- ② Door panel



Cabinet opening A	Refrigerator door panel B
80" (2,032 mm)	45-1/4" (1,150 mm)

Stainless steel panels are available as an optional Accessory



STAINLESS STEEL PANELS

	Item#
Top Panel	38996045CDN
Bottom Panels	38996046CDN

Please note following:

- Stainless steel panels are not pre-drilled
- Handles are sold separately

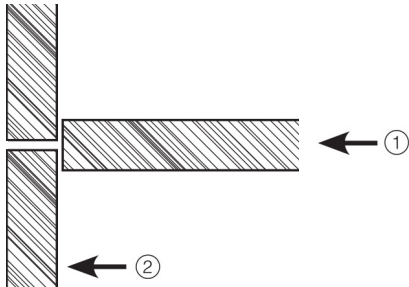
Please take into account the following information concerning the cabinet front:

- The Panels should be at least 5/8" (16 mm) thick to allow the connecting rails to be fastened to them.
- The maximum panel thickness is 3/4" (19 mm).
- The refrigerator panel weight must not exceed 60 lbs (27 kg).
- Each freezer panel weight must not exceed 26.5 lbs (12 kg)

30" Bottom Mount Refrigerator KFN 9855 iDE

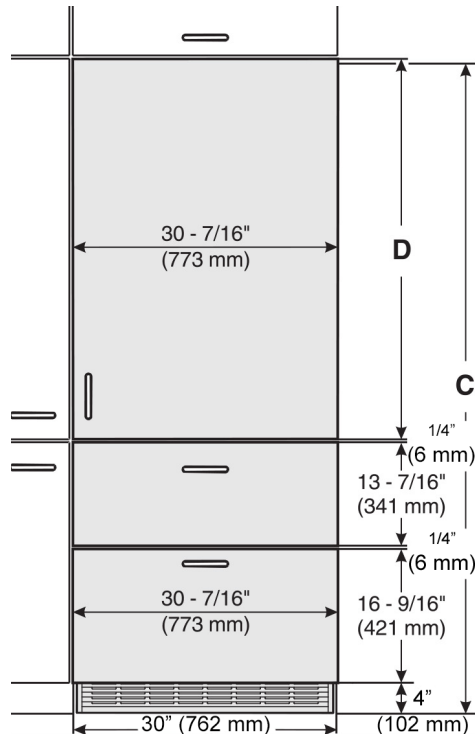
Frameless Installation Panel Dimensions

Side view of cabinet



① Cabinet frame

② Door panel



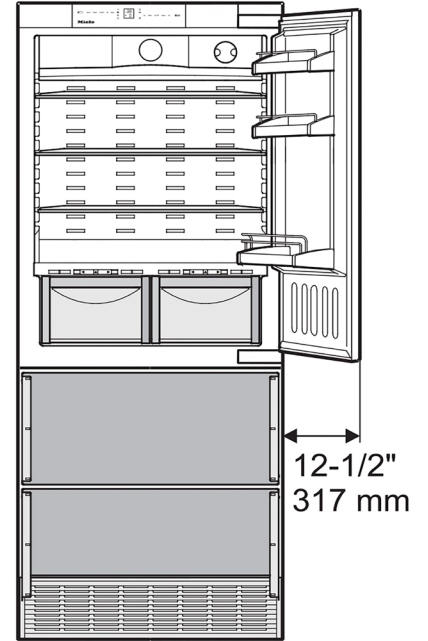
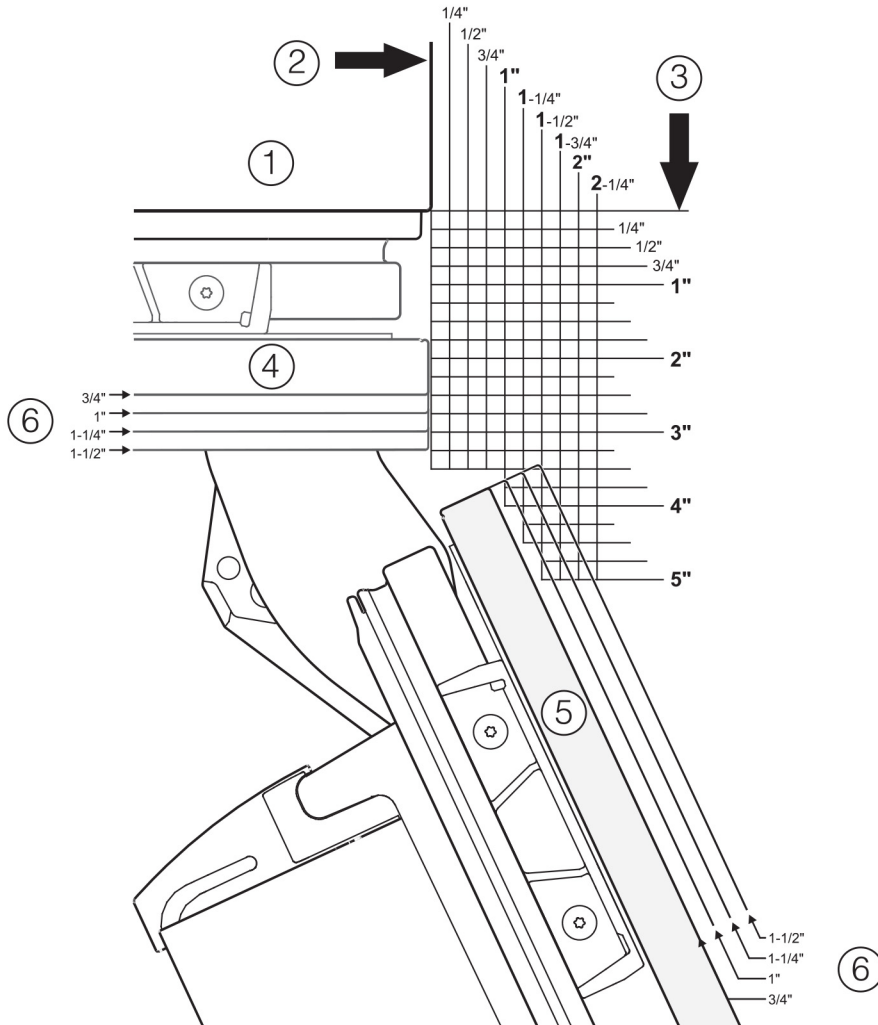
Cabinet opening C	Refrigerator door panel D
80" (2,032 mm)	45-3/4" (1,162 mm)

Please take into account the following information concerning the cabinet front:

- The Panels should be at least 5/8" (16 mm) thick to allow the connecting rails to be fastened to them.
- The maximum panel thickness is 3/4" (19 mm).
- The refrigerator panel weight must not exceed 60 lbs (27 kg).
- Each freezer panel weight must not exceed 26.5 lbs (12 kg)

30" Bottom Mount Refrigerator KFN 9855 iDE

Door Swing Dimensions



These measurements do not take the cabinet front and the door handle into account; they must be added on accordingly.

- ① Top View
- ② Right side wall of appliance housing
- ③ Front of appliance housing
- ④ Front panel - door closed
- ⑤ Front panel - door opening angle = 115°
- ⑥ Panel thickness