

Built-In 24" Wine Storage System

KWT 1613 SF / KWT 1603 SF



Built-In 24" Wine Storage System

KWT 1613 SF / KWT 1603 SF



KWT 1613 SF / KWT 1603 SF

Features:

- MasterCool controls
- ClearView lighting system
- 14 Rack Levels
- Stores up to 102 bottles
- FullView extendable shelves
- RemoteVision capable
- Acoustic door and temperature alarm
- Optical door and temperature alarm

SPECIFICATIONS

KWT 1603 SF — Item 36160311USA - Right Hinged	
KWT 1613 SF — Item 36161311USA - Left Hinged	
Overall Unit Width - Excluding Fascia Dimension	23 ³ / ₄ " (603 mm)
Overall Unit Height - Excluding Fascia Dimension	84" (2134 mm)
Overall Unit Depth - Excluding Fascia Dimension	24" (610 mm)
Overall Fascia Dimensions	24 ¹ / ₂ " (622 mm) W x 84 ¹ / ₂ " (2146 mm) H x 3 ³ / ₄ " (19 mm) D
Niche	
Minimum Cabinet Opening Width	24" (610 mm)
Minimum Cabinet Opening Height	84" (2134 mm)
Minimum Cabinet Opening Depth	24" (610 mm)
Interior Volume	
Volume	13.07 cu-ft (370.1 L)
Operational Altitudes	
High Altitude	Miele Wine will function up to 8200 ft (2500 m) in altitude. At altitudes above 8200 ft (2500 m) there is a risk of the glass door breaking due to changed air pressure conditions.
Electrical	
Electrical Requirements - Volts/Amps	110V / 120V, 60Hz, 15 Amps In the case of side-by-side installations, a separate outlet must be used for each appliance.
Power Cord - Plug and length	NEMA 5-15 plug, 5 ft (1.52 m)
Shipping	
Shipping Weight	374 lbs (170 kg)
Shipping Dimensions	29 ¹ / ₈ " W x 89 ³ / ₄ " H x 27 ¹ / ₂ " D
Support	
Call Miele	(800) 999-1360
Miele Website	www.mieleusa.com
20/20 Link	2020technologies.com

Please note:

This specification sheet is for a single built-in unit.

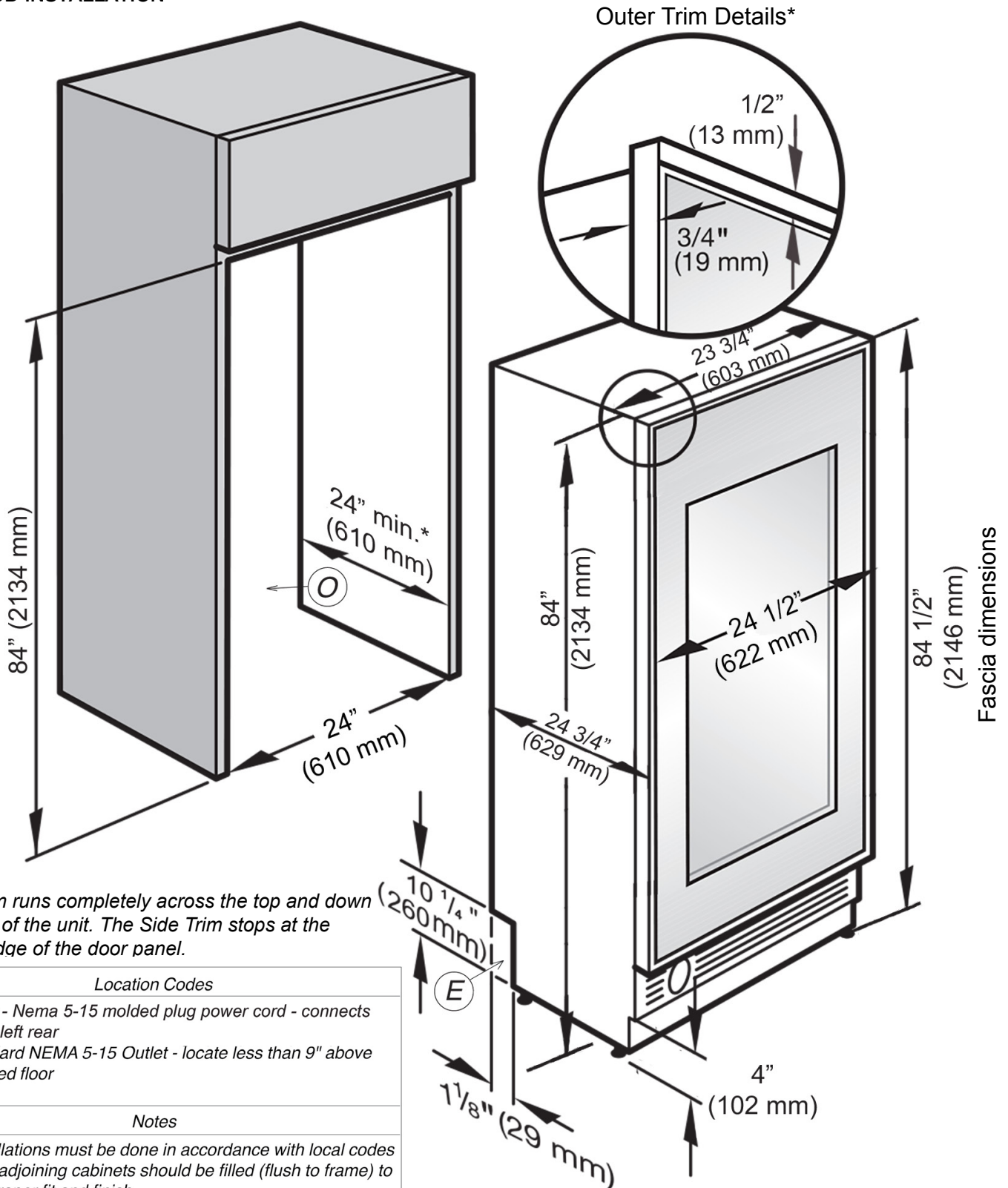
When combining multiple MasterCool units side-by-side, please refer to the Merging Kit specification sheet.

Built-In 24" Wine Storage System

KWT 1613 SF / KWT 1603 SF



FOR PROUD INSTALLATION



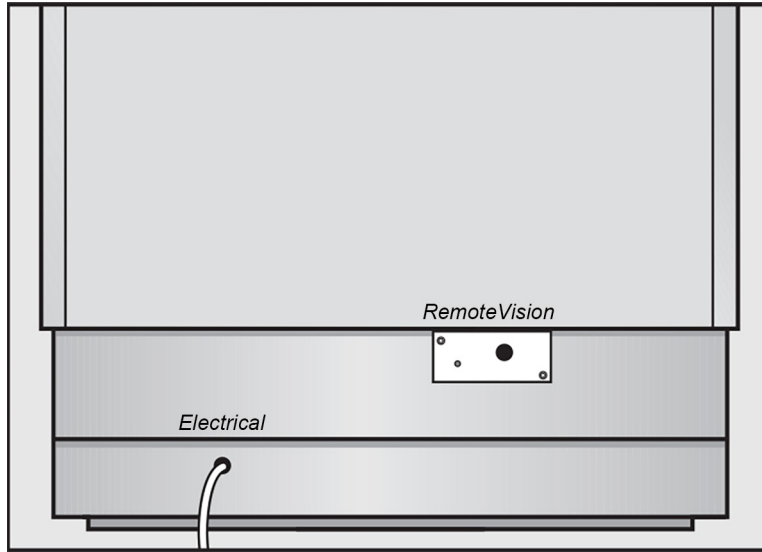
* Outer Trim runs completely across the top and down the sides of the unit. The Side Trim stops at the bottom edge of the door panel.

Location Codes
E - 5 foot - Nema 5-15 molded plug power cord - connects lower left rear
O - Standard NEMA 5-15 Outlet - locate less than 9" above finished floor
Notes
<ul style="list-style-type: none"> All Installations must be done in accordance with local codes Sides of adjoining cabinets should be filled (flush to frame) to insure proper fit and finish For side-by-side installation please refer to the Miele merging kit specification sheet - Some merge kits will require the location of the Electrical outlet(s) to be in adjacent cabinetry

Built-In 24" Wine Storage System KWT 1613 SF / KWT 1603 SF

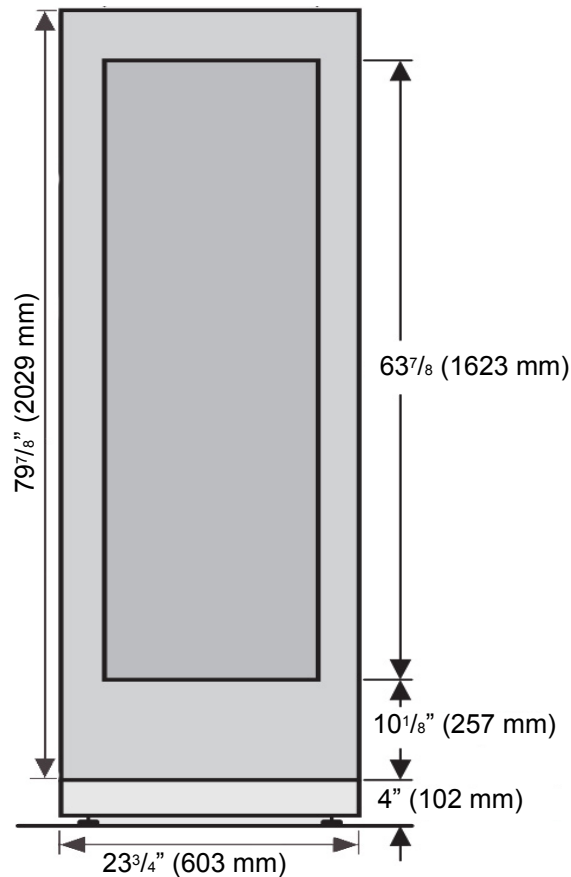


POWER SUPPLY CONNECTION BACK VIEW



Electrical - 5 foot (1.52 m) - 120 Volt - 15 Amp - NEMA 5-15 molded plug

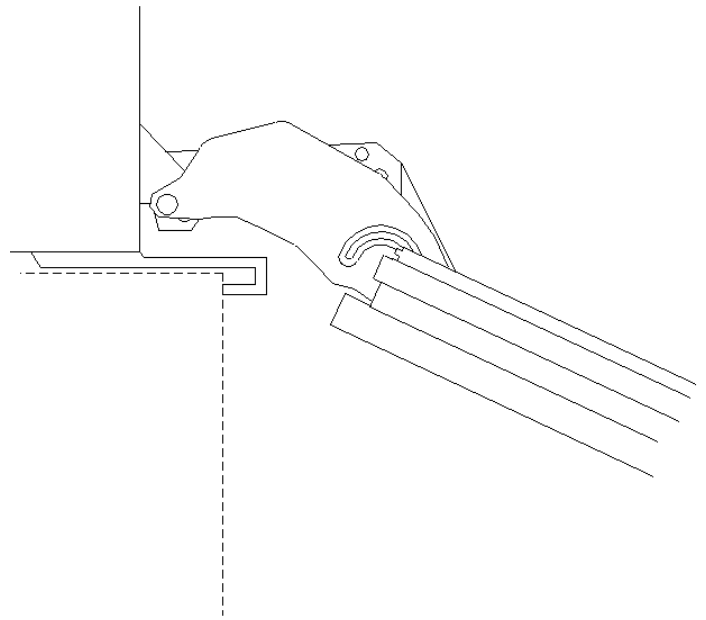
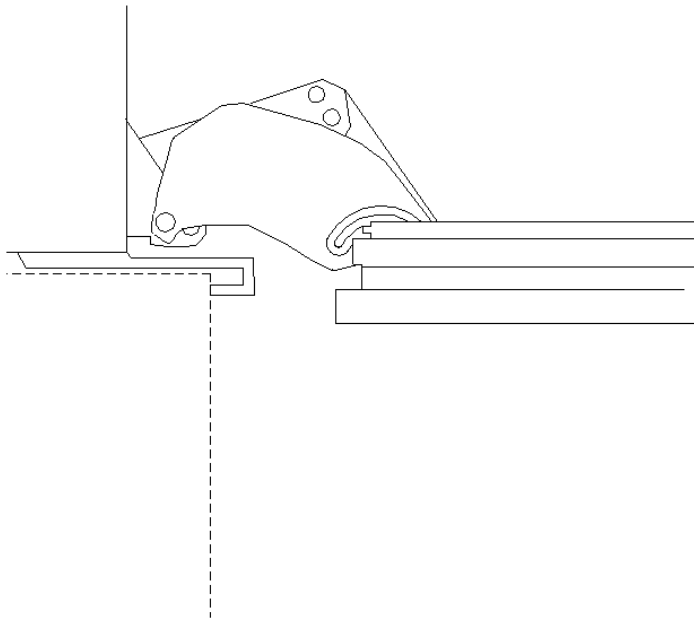
DOOR PANEL DIMENSIONS WITHOUT OUTER TRIM DIMENSIONS



HINGING DETAILS

90° Door

115° Door



Door Swing

Door Swing

3 9/16"
(90 mm)

13"
(330 mm)
MAX

27 3/16"
(716 mm)