

Miele

BRILLIANT WHITE PLUS
WHOLE BEAN
COFFEE SYSTEM

CVA 4062 BRWS+



Brilliant White Plus Whole Bean Coffee System CVA 4062 BRWS+



FEATURES

- 9 custom user profiles
- Whole bean system
- State-of-the-art Navitronic™ controls
- Two dispensing spouts
- Programmable cup sizes
- Programmable languages
- Adjustable grind setting
- Integrated frothing technology
- Delay start / stop function
- Automatic rinse and cleaning programs
- Interior water reservoir (2.43 qt)
- Insulated milk flask in chrome finish
cools milk for up to 8 hours

INCLUDED ACCESSORIES

- Cleaning agent

SPECIFICATIONS

Product — Item 29406290USA

Overall Width — excluding fascia	21 ⁷ / ₁₆ " (545mm)
Overall Height	17 ¹ / ₂ " (445mm)
Overall Depth	18 ¹ / ₈ " (460mm)
Depth with Door Open	41 ¹ / ₂ " (1054mm)
Overall Fascia Dimensions	23 ⁷ / ₁₆ " (595mm) W x 17 ¹⁵ / ₁₆ " (456mm) H x 7 ⁷ / ₈ " (22mm) Thick

Built-In

Minimum Cabinet Width	21 ¹ / ₁₆ " — 22 ³ / ₈ " (560-568mm)
Minimum Cabinet Height	17 ⁵ / ₈ " — 17 ³ / ₄ " (448-451mm)
Minimum Cabinet Depth	22 ¹ / ₁₆ " min (560mm)
Minimum Base Support	62 lbs
Additional Cut-outs Required	No

Electrical

Electrical Requirements	120 V, AC, 60hz 15 amps
Power Cord	Moled plug, 120 V, 5 ft. power cord
Cut Out for Power Cord	Min. 3" square
Electrical Rating	1.2 kW (120 V)
Total Amps	10 Amps on 120v

Shipping

Shipping Weight	70 lbs
Shipping Dimensions	23 ⁵ / ₈ " W x 22 ¹ / ₁₆ " H x 26" L

Support

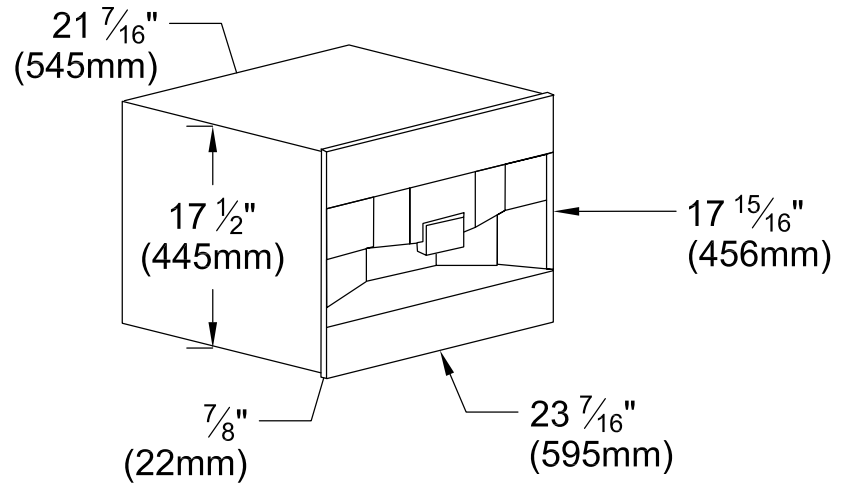
Call	800.843.7231
20/20	©2020technologies.com

Brilliant White Plus Whole Bean Coffee System CVA 4062 BRWS+

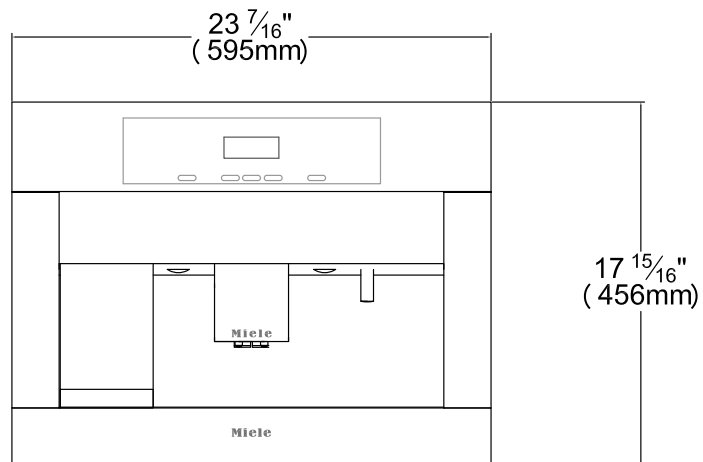


PRODUCT VIEWS

Isometric View



Front View

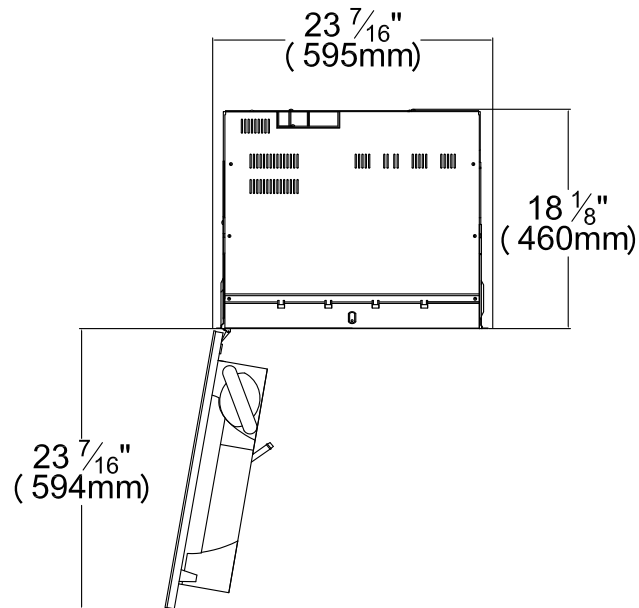


Brilliant White Plus Whole Bean Coffee System CVA 4062 BRWS+

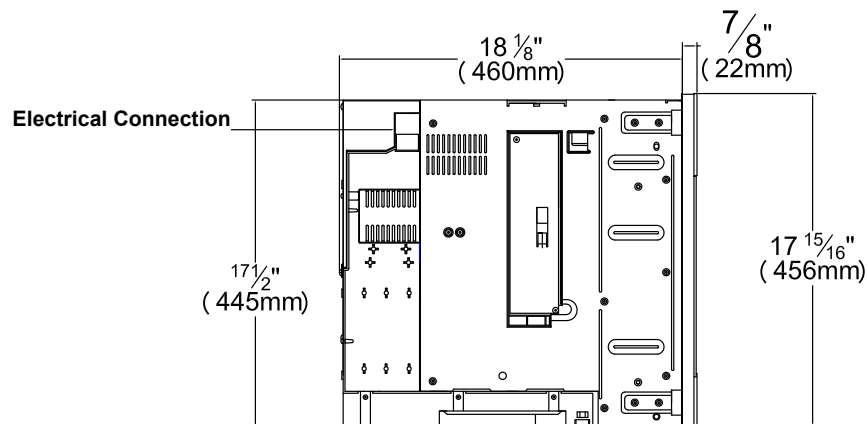


PRODUCT VIEWS

Top View

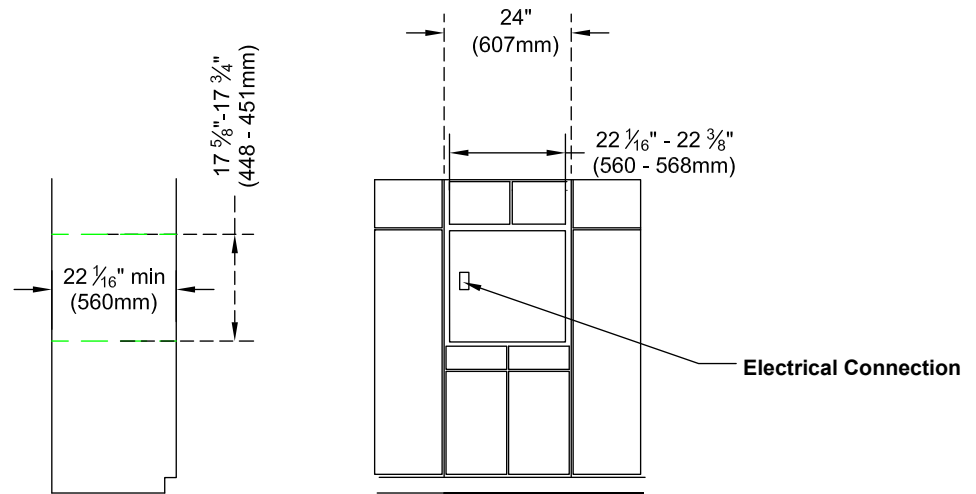


Side View



INSTALLATION SPECIFICATIONS

Wall Cabinet Installation



Wall Mount Stacked Installation

