

PureLine Obsidian Black
24" Whole Bean Coffee System

CVA 6401 OBSW



Whole Bean Coffee System

CVA 6401 OBSW



CVA 6401 OBSW

Features:

- DirectSensor controls: choose an operating mode with a single touch of one of the symbols on the left of the display. The touch component to the right of the display is used to navigate through the different levels.
- OneTouch function prepares beverage with the touch of a button
- OneTouch for Two operation dispenses two cappuccino or latté macchiato drinks, coffee or espresso simultaneously
- EasyClick Milk System simply clicks the milk reservoir into and out of place at the front of the machine
- Dishwasher-safe milk flask
- Automatic rinsing and cleaning programs
- Up to 10 user profiles
- The coffee pot function allows up to 8 cups of coffee to be brewed at one time
- BrilliantLight
- Timer function
- Ground coffee chute for whole bean bypass
- Removable brew unit for easy cleaning
- Removable water tank

SPECIFICATIONS

CVA 6401 OBSW — Item 29640120USA

| | |
|--|---|
| Overall Unit Width - Excluding Fascia Dimension | 21 ⁷ / ₁₆ " (545 mm) |
| Overall Unit Height - Excluding Fascia Dimension | 17 ¹ / ₂ " (445 mm) |
| Overall Unit Depth - Excluding Fascia Dimension | 18 ¹ / ₈ " (460 mm) |
| Door Depth When Open | 23 ⁷ / ₁₆ " (594 mm) |
| Overall Fascia Dimensions | 23 ⁷ / ₁₆ " (595 mm) W x 17 ¹⁵ / ₁₆ " (455.5 mm) H x 1 ³ / ₁₆ " (22 mm) D |

Built-In

| | |
|------------------------|---|
| Minimum Cabinet Width | 22 ¹ / ₁₆ " (560 mm) |
| Minimum Cabinet Depth | 21 ⁵ / ₈ " (550 mm) |
| Minimum Cabinet Height | 17 ¹¹ / ₁₆ " (450 mm) |
| Minimum Base Support | 62 lbs |

| | |
|------------------------------|---|
| Additional Cut-outs Required | Venting: 19 ¹¹ / ₁₆ " (500 mm) x 1 ⁹ / ₁₆ " (40 mm) or 31" in ² (200 cm ²) |
|------------------------------|---|

Electrical

| | |
|-------------------------|--------------------------------------|
| Electrical Requirements | 120V, 60Hz, 15A |
| Power Cord | Molded NEMA 5-15A plug, 6 ft (1.8 m) |

Shipping

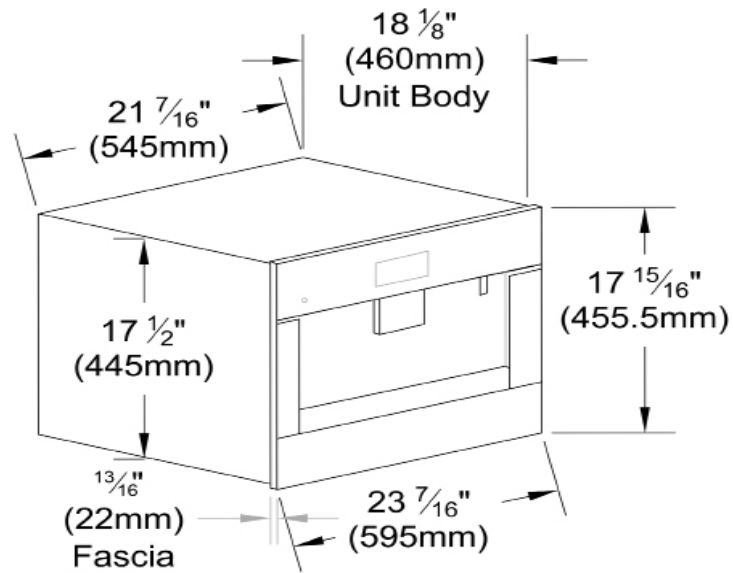
| | |
|---------------------|--|
| Shipping Weight | 70 lbs |
| Shipping Dimensions | 23 ⁵ / ₈ " W x 22 ¹ / ₁₆ " H x 26" L |

Support

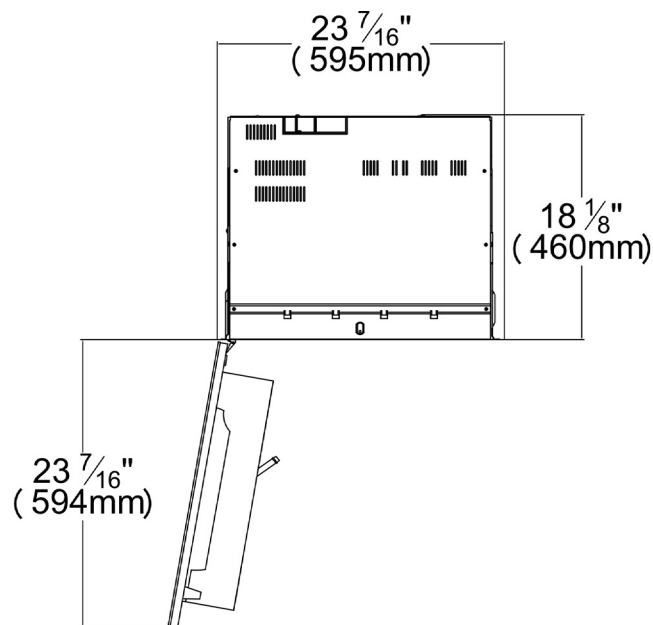
| | |
|---------------|--|
| Call Miele | 800.843.7231 |
| Miele Website | www.mieleusa.com |
| 20/20 Link | 2020technologies.com |

PRODUCT VIEWS

Isometric View

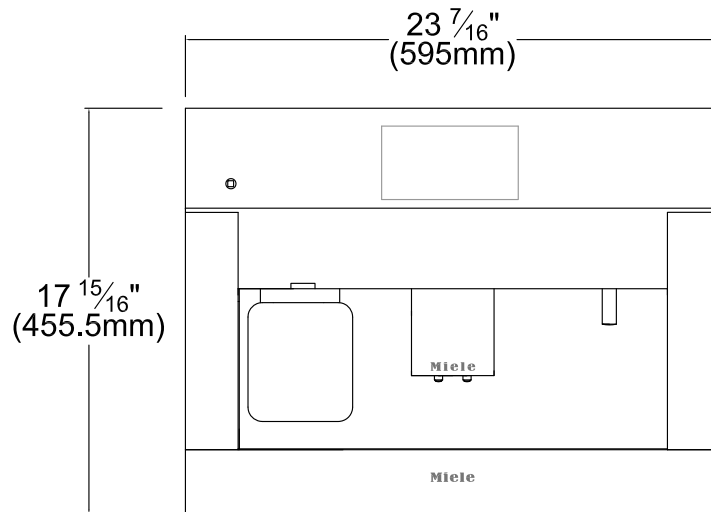


Top View, Door Open

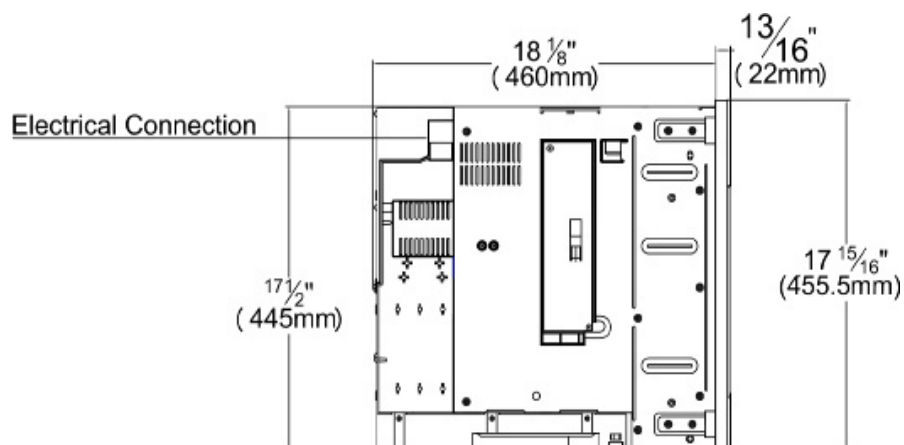


PRODUCT VIEWS

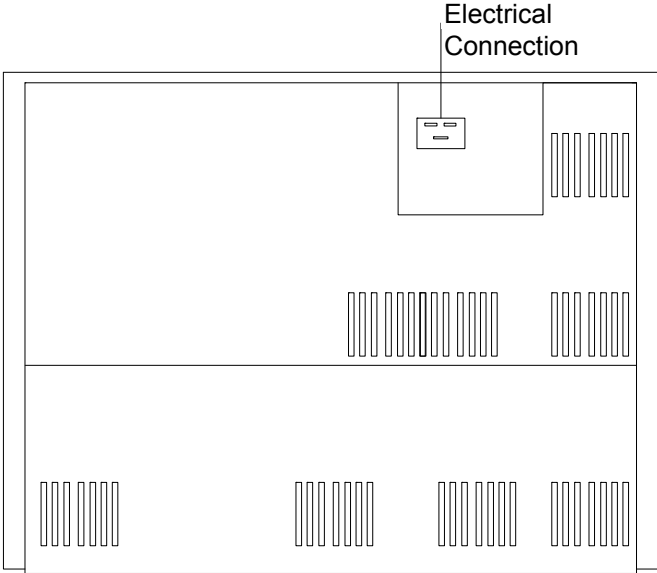
Front View



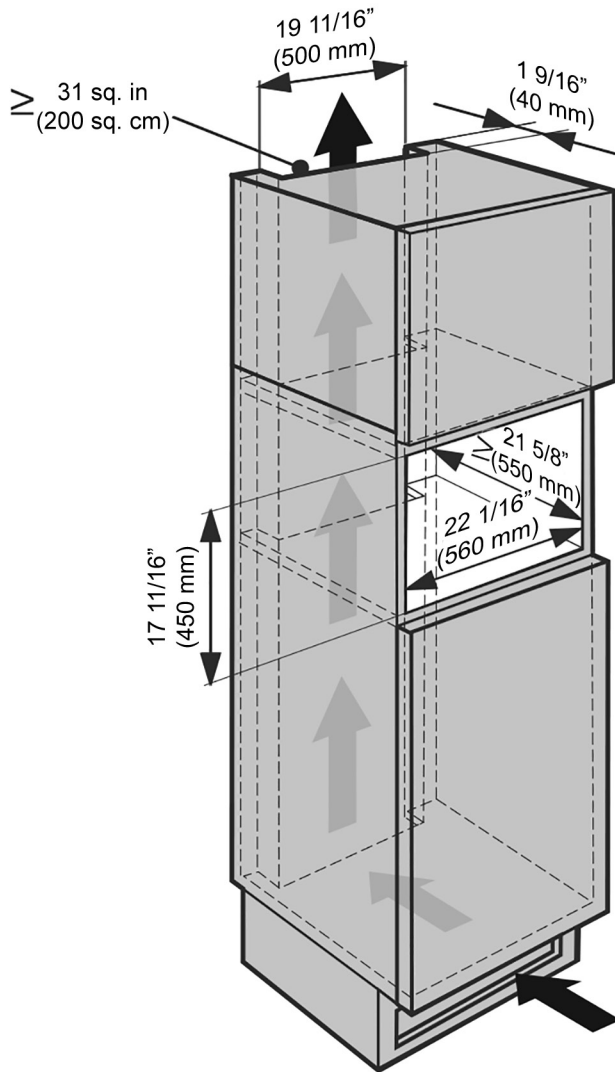
Side View



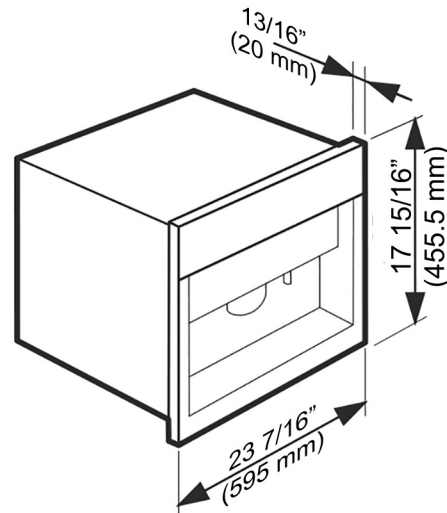
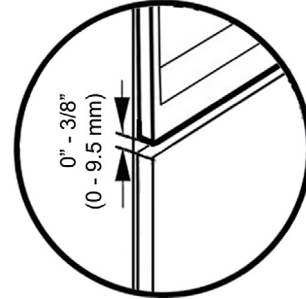
PRODUCT VIEWS



INSTALLATION SPECIFICATIONS
Cutout Dimensions

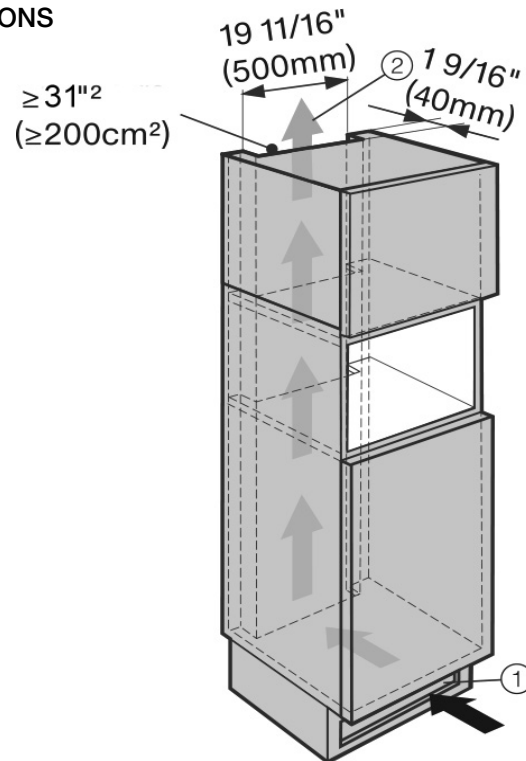


Lower gap adjustment detail when solo installed.
(Adjusted by feet of CVA unit.)

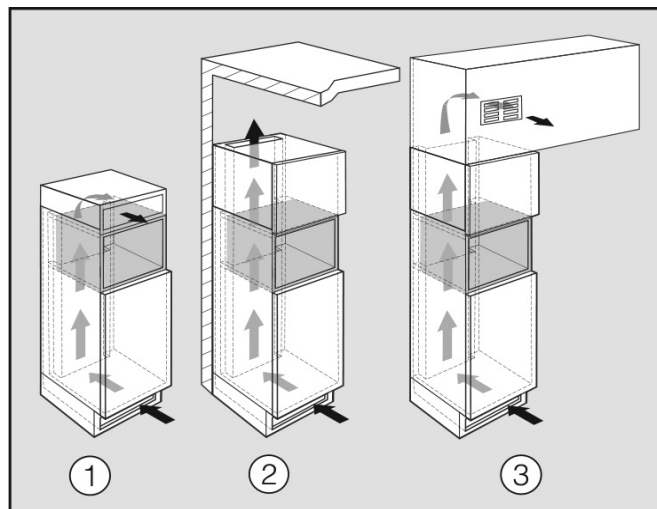


PLEASE NOTE: Condensation water can damage the coffee system or surrounding cabinets. The specified ventilation cross-sections absolutely must be observed.

INSTALLATION SPECIFICATIONS Ventilation Requirements



Air intake ① occurs via the plinth at the bottom of the appliance and the air escapes at the top ② at the rear of the surrounding cabinets.



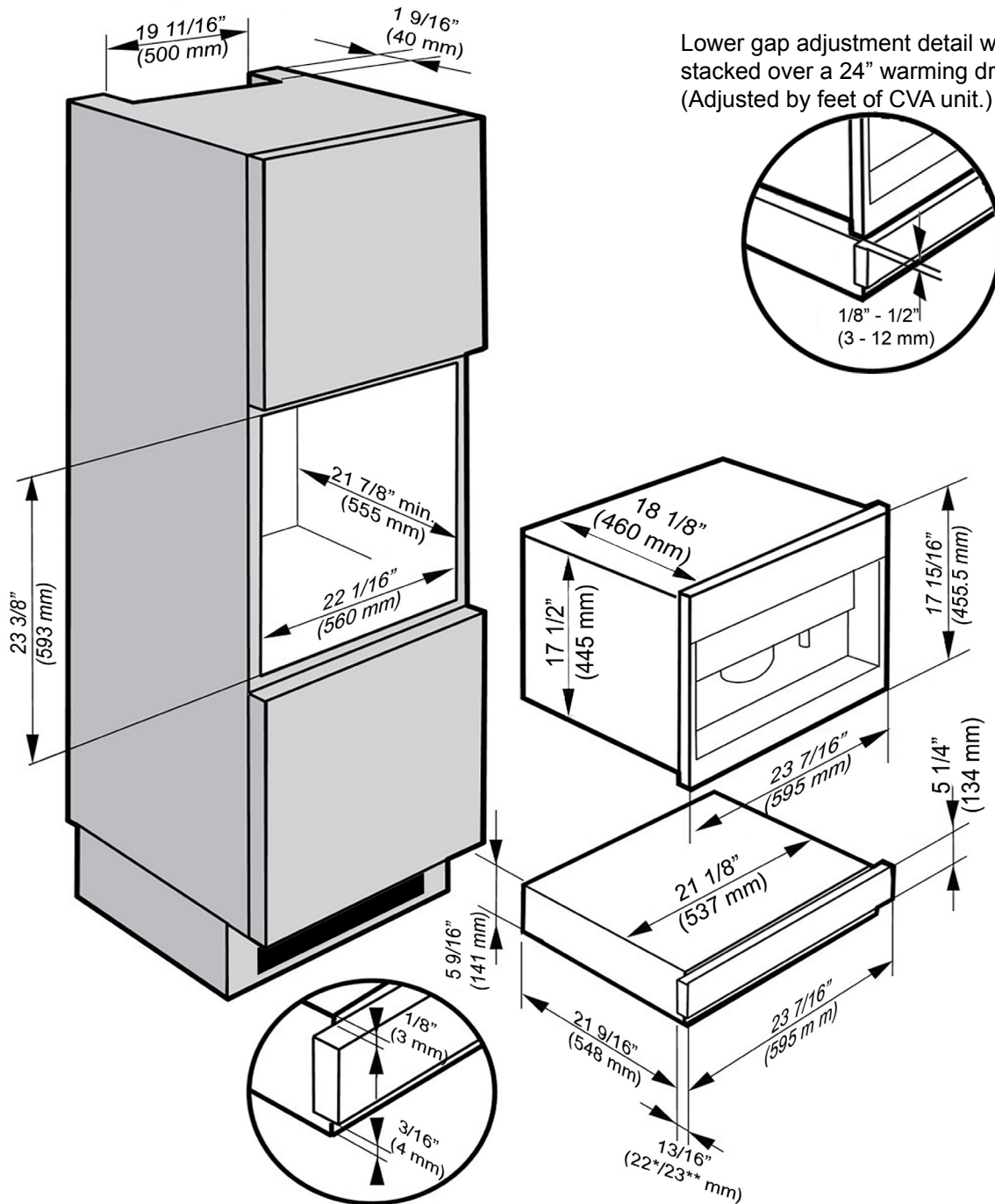
- ① directly above the coffee system with a ventilation grille (free airflow of at least 31 square inches / 200 cm²)
- ② between the surrounding cabinets and the ceiling
- ③ through a suspended ceiling

PLEASE NOTE: Condensation water can damage the coffee system or surrounding cabinets. The specified ventilation cross-sections absolutely must be observed.

Whole Bean Coffee System CVA 6401 OBSW



INSTALLATION SPECIFICATIONS With Warming Drawer



PLEASE NOTE: Condensation water can damage the coffee system or surrounding cabinets. The specified ventilation cross-sections absolutely must be observed.