

BRILLIANT WHITE PLUS
STEAM OVEN

DG 4086 BRWS+



Brilliant White Plus Steam Oven DG 4086 BRWS+



FEATURES

- MasterChef touch controls
- Multi-lingual LCD display
- Multi-tier operating modes
- Food-driven menu system
- Favorites option
- Electronic temperature control
- Stainless steel interior
- 1.37 quart water reservoir
- Automatic temperature settings
- Time remaining calculation

SPECIFICATIONS

Product — Item 23408690CDN	
Overall Width — excluding fascia	21 ⁵ / ₈ " (549mm)
Overall Height	17 ⁹ / ₁₆ " (446mm)
Overall Depth	17 ¹ / ₂ " (444mm)
Depth with Door Open	34 ¹¹ / ₁₆ " (898mm)
Overall Interior Capacity	6.6 gallons (25L)
Overall Fascia Dimensions	23 ¹⁷ / ₁₆ " (595mm) W x 18" (455.5mm) H x 7 ⁷ / ₈ " (22mm) Thick
Oven Interior Dimensions	13" (330mm) W x 9 ¹ / ₂ " (241mm) H x 14" (356mm) D
Built-In	
Minimum Cabinet Width	22 ¹ / ₁₆ — 22 ³ / ₈ " (560 — 568mm)
Minimum Cabinet Height	17 ⁵ / ₈ " — 17 ¹³ / ₁₆ " (448 — 452mm)
Minimum Cabinet Depth	>19 ¹¹ / ₁₆ " (500mm)
Minimum Base Support	60 lbs
Additional Cut-outs Required	No
Electrical	
Electrical Requirements	240V, AC, 60Hz, 20 Amps
Power Cord	Moled Plug, 120V Power Cord, NEMA 6-15P, 6 ft. (1.8m)
Cut Out for Power Cord	Min. 3" square
Electrical Rating	2.7 kW (240V)
Total Amps	16 Amps on 240V
Shipping	
Shipping Weight	65 lbs
Shipping Dimensions	26 ⁷ / ₃₂ " W x 21 ⁵ / ₈ " H x 23 ¹ / ₁₆ " L
Support	
Call	800.843.7231
20/20	©2020technologies.com

HANDLES

Chrome Handle - Standard
DS 4046



OPTIONAL HANDLES

Profi Handle
DS 4040



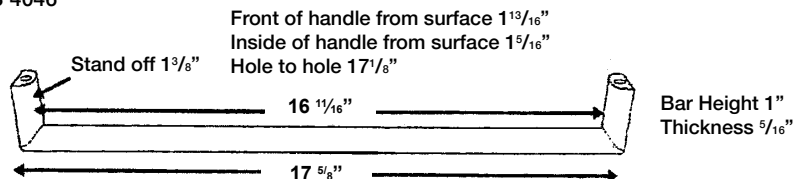
Classic Handle
DS 4041



Straight Handle
DS 4044



DS 4046



INCLUDED ACCESSORIES

- 3 perforated stainless steel pans
- 1 solid stainless steel drip pan
- 1 stainless steel wire rack

TRIM KIT DIMENSIONS:

Optional EBA trim kit widths:

EBA 5478 29¹³/₁₆"

Cabinet Cutout 28¹/₂"

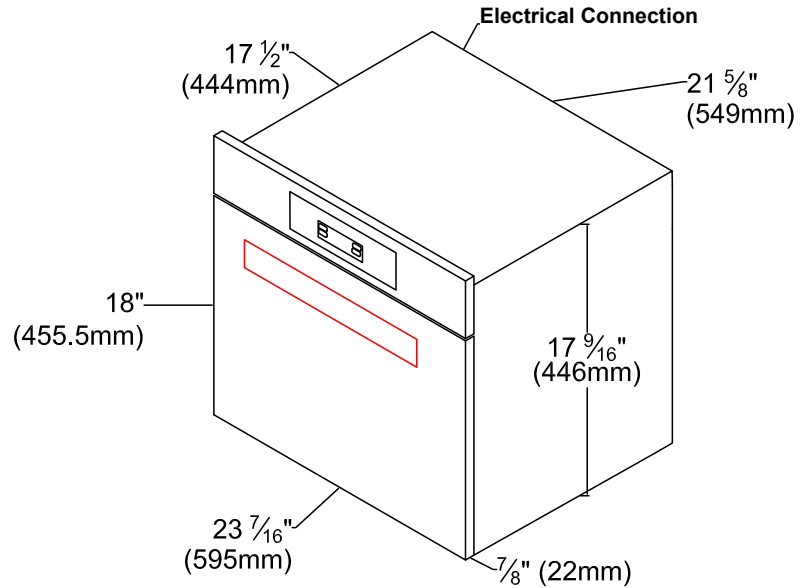
All installations must be done in accordance with local codes.

Brilliant White Plus Steam Oven DG 4086 BRWS+

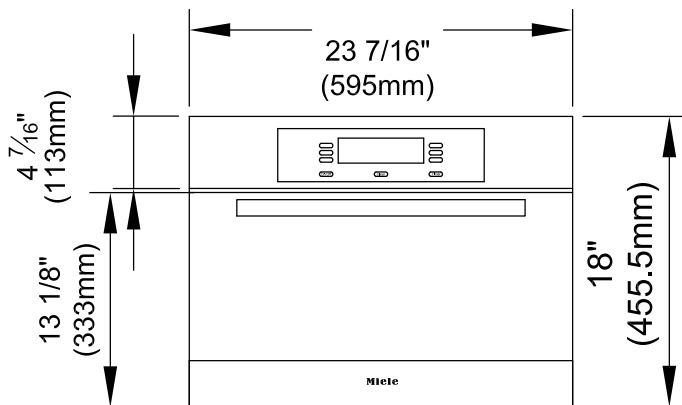


PRODUCT VIEWS

Isometric View



Front View



The DG 4086 is equipped with a NEMA 6-15P 6 ft. (1.8m) power cord, molded plug ready for connection to a:

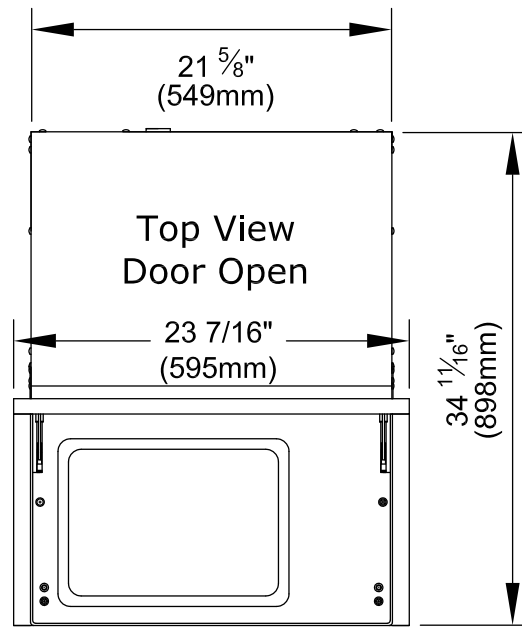
240 V, 20 A, 60 Hz power supply



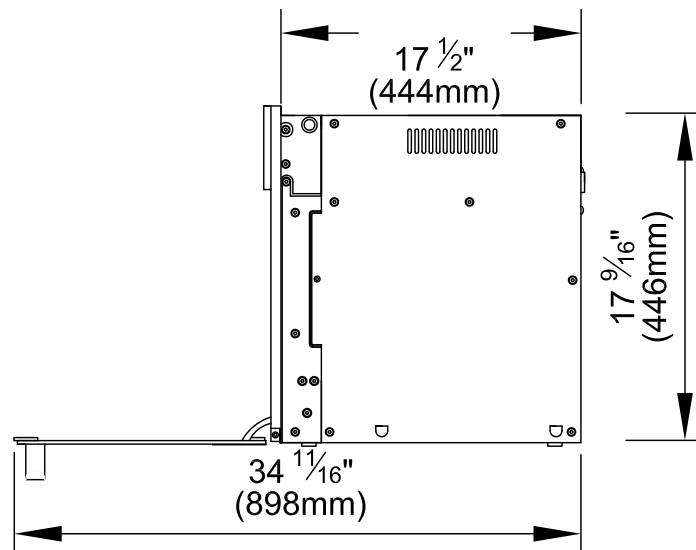
Miele appliances can be installed flush or proud. Discuss your installation requirements with your architect, designer and installer. Cabinet depth for flush installation is 22 5/8". The inside edges of the rough opening must be finished.

PRODUCT VIEWS

Top View

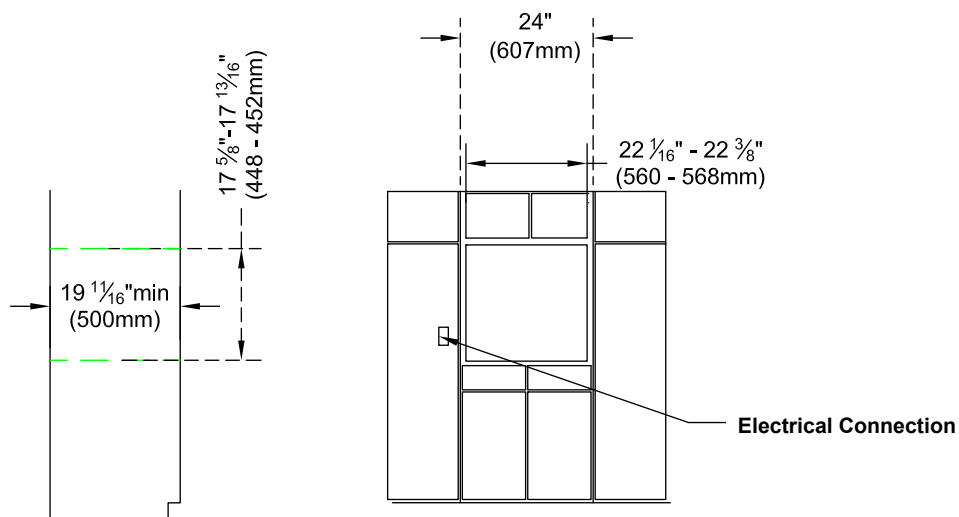


Side View with Door Open

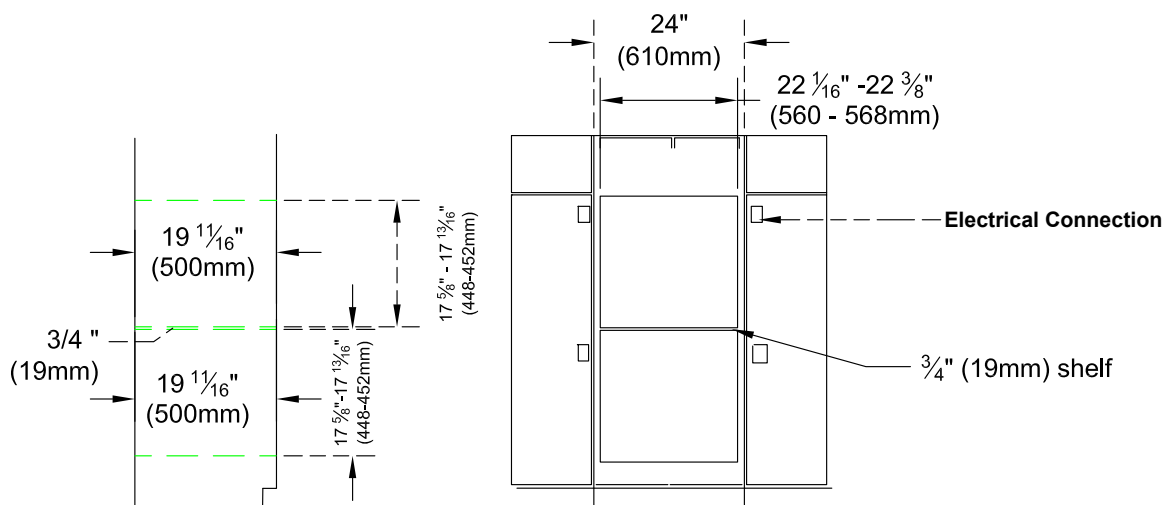


INSTALLATION SPECIFICATIONS

Wall Cabinet Installation

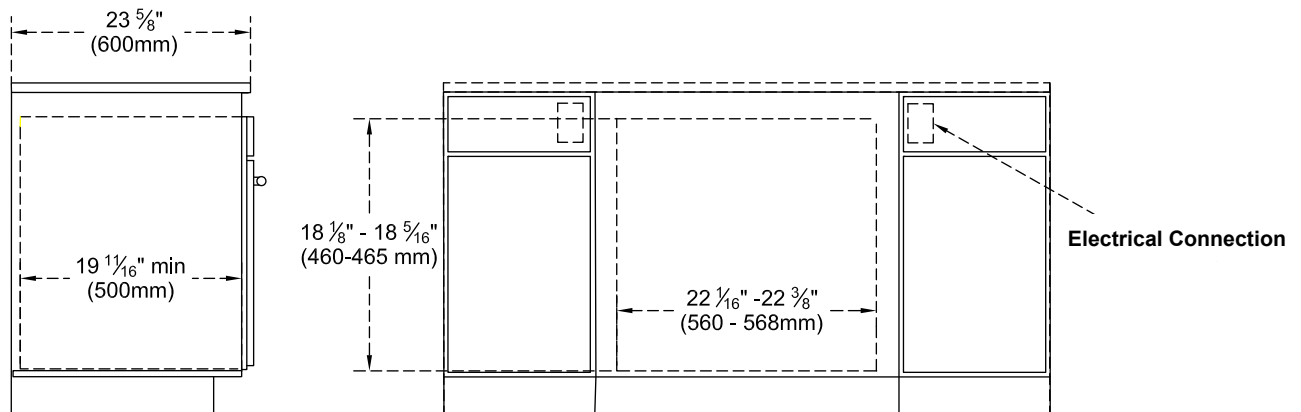


Wall Mount Stacked Installation



INSTALLATION SPECIFICATIONS

Undercounter Installation



Undercounter Side-by-Side Installation

