

Futura Series

Pre-Finished Dishwashers

CLASSIC G 4225, G 4225 SC

CRYSTAL G 5225, G 5225 SC

DIMENSION G 5605 SC



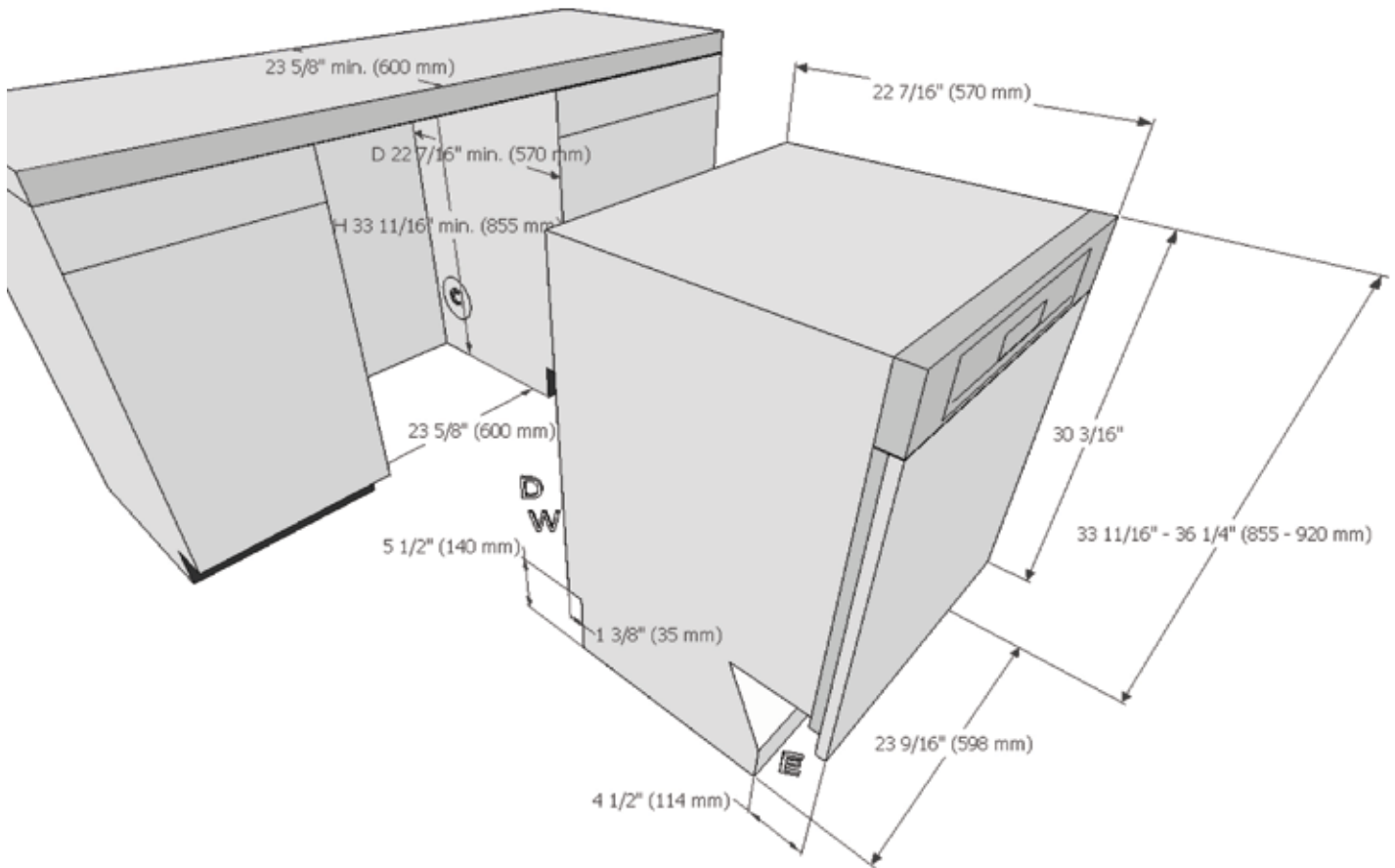
Futura Series Dishwashers

Model Overview



		CLASSIC	CRYSTAL	DIMENSION	DIMENSION SLIMLINE	DIAMOND	PROFI LINE
Baskets	FlexiCare	•					
	FlexiCare Plus		•		•		
	FlexiCare Premium			•			
	FlexiCare Deluxe					•	•
Cutlery	Cutlery basket	•	•				
	Cutlery tray	•	•		•		
	3D cutlery tray			•		•	•
Convenience	AutoClose					•	•
	BrilliantLight					•	•
	Delay Start	•	•	•		•	•
	RemoteVision™					•	
	ComfortClose	•	•	•		•	•
	Perfect GlassCare		•	•	•	•	•
	Water softener		•	•	•	•	•
	ADA compliant*	•*		•*	•		
	Q Acoustic ratings	Q1	Q2	Q4	Q3	Q5	Q1
Sensors	AutoSensor	•	•	•	•	•	
	SensorDry			•		•	
	Automatic Load-Size Sensor					•	
Finishes	Pre-finished (Black or White)	•	•				
	Pre-finished (Clean Touch Steel™)	•	•	•			
	Integrated - I (Clean Touch Steel™)			•	•	•	
	Fully Integrated - Vi (Custom Panel)	•		•	•	•	•
	Fully Integrated - SC SF (Clean Touch Steel™)	•	•	•		•	
Programs	Normal	•	•	•	•	•	•
	Express		•		•	•	
	Rinse & Hold	•	•	•	•	•	
	SaniWash	•	•	•	•	•	
	Pots & Pans	•	•	•	•	•	•
	Economy	•					
	China & Crystal		•	•	•	•	•
	Turbo Mode	•	•	•		•	
	Intensive Mode			•		•	
Diamond Programs	ExtraQuiet			•		•	
	Heavy Soil					•	
	SensorWash					•	
	Light					•	
	Energy Saver					•	
	Plastics					•	•
	Starch/Cheese					•	
	Tall Items					•	
	Glass - No Rinse Aid (Warm)					•	
	Glass - No Rinse Aid (Cold)					•	
ProfiLine Programs	ProSpeed 23 minute cycle						•
	Universal						•
	Sanitize						•
	Beer Glasses						•
Drying	CleanAir™	•	•	•	•	•	•
	Advanced CleanAir™					•	•
	AutoOpen™ Drying			•		•	•

* Classic G 4281 SCVi and Dimension G 5670 SCVi are ADA compliant



Location Codes

C - Cutout 1 3/8" x 1 3/4" (34 mm x 35 mm) for water, drain and electric pass-through.

Adjust according to water and drain location.

D - 5 foot (1.5 meter) flexible drain hose connects lower center rear.

E - 5 foot (1.5 meter)– 120 Volt – 15 Amp 3-wire molded plug power supply connects front terminal or can be hardwired.

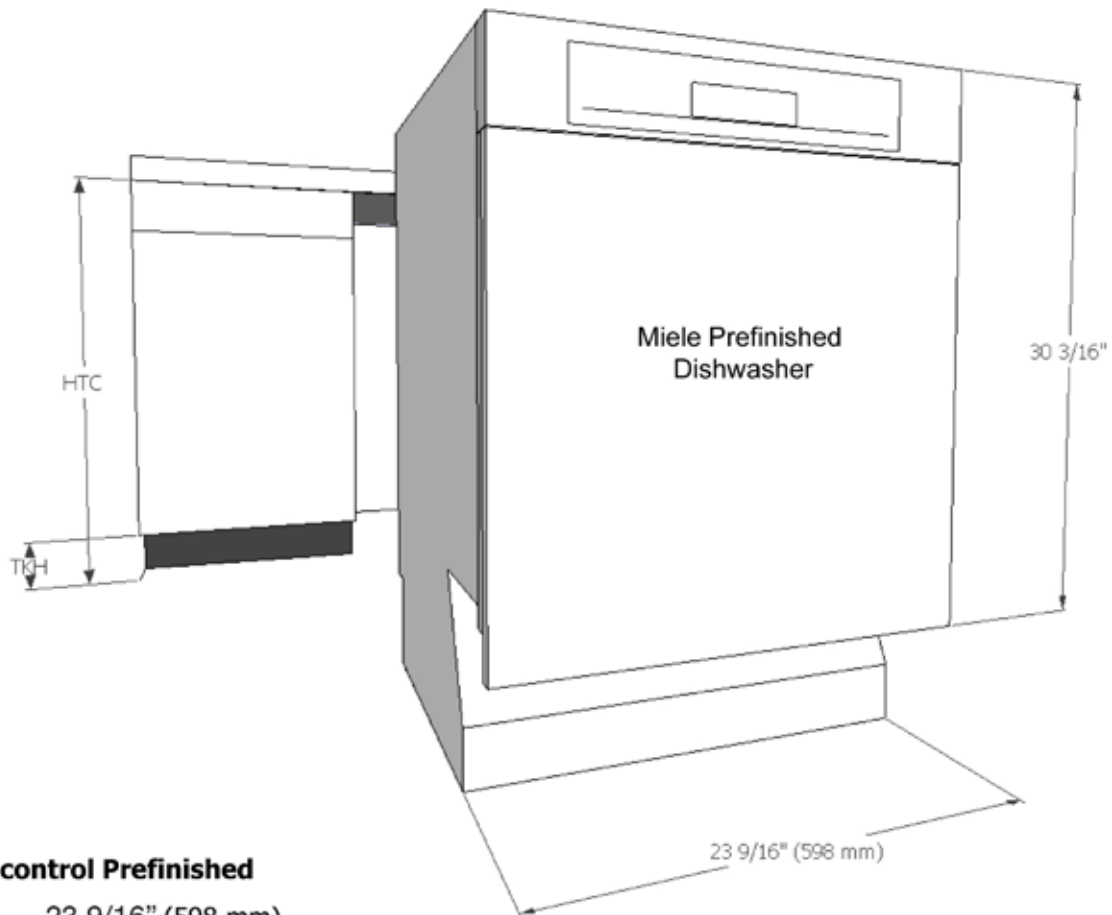
W - 5 foot flexible water intake hose with a 3/8" compression fitting nut connects lower center rear.

Notes

All installations must be done in accordance with local codes.

Drawing is not to scale

Specification Sheets OJS 11012011



Panel and control Prefinished

Width: 23 9/16" (598 mm)

Thickness: 3/4" (19 mm)

Height: 30 3/16" (767 mm)

Calculating the toe kick height

30 3/16" – HTC = TKH

HTC = Height to the underside of countertop

TKH = Toe kick height

Drawing is not to scale

Specification Sheets OJS 11012011

