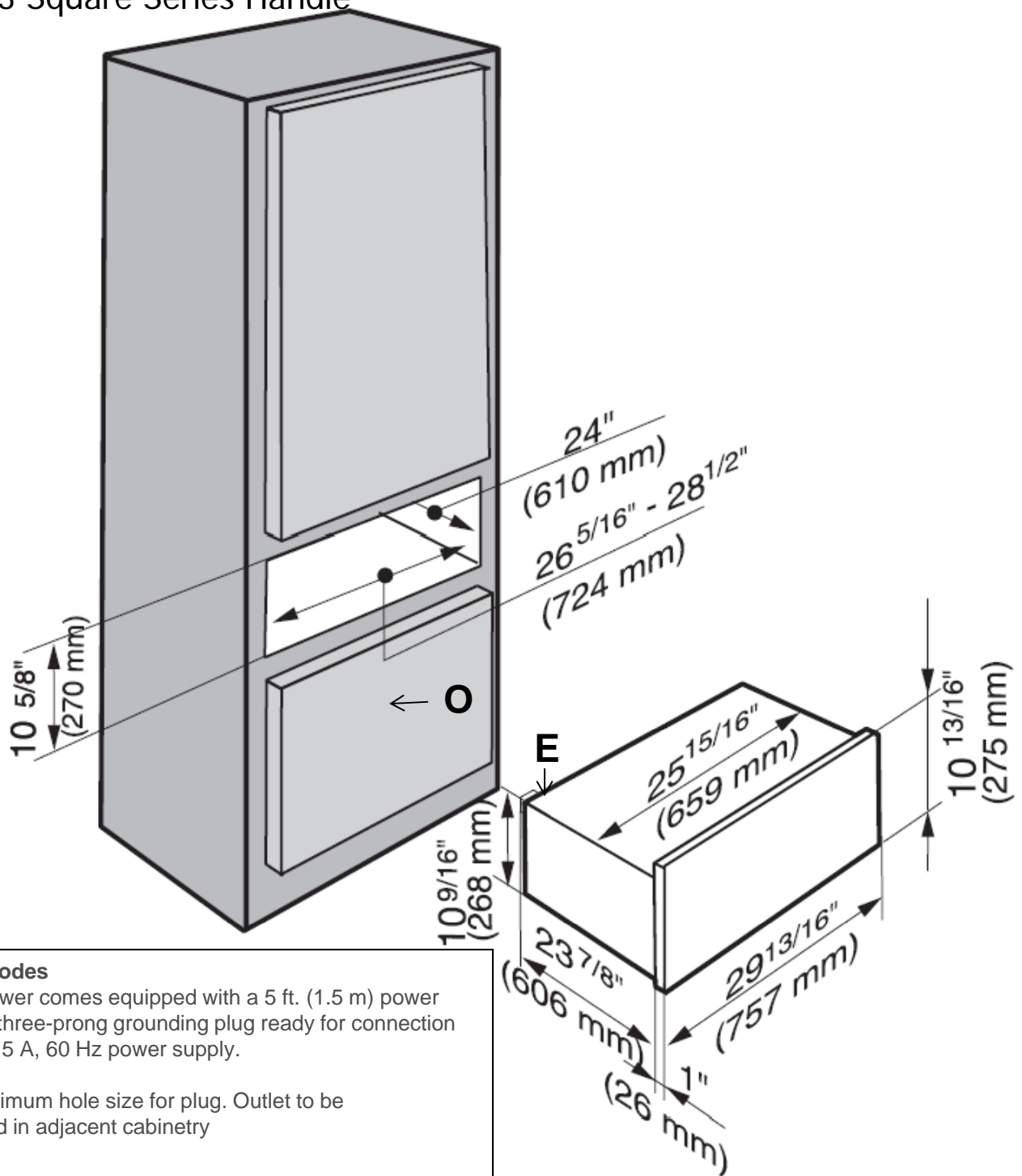


Product and Cut-out Dimensions

Warming Drawer

ESW 4826 Europa Design Black Glass and Clean Touch Steel with a DS 4043 Square Series Handle



Location Codes

E – The drawer comes equipped with a 5 ft. (1.5 m) power cord with a three-prong grounding plug ready for connection to a 120V, 15 A, 60 Hz power supply.

O – 1" ² minimum hole size for plug. Outlet to be installed in adjacent cabinetry

Notes

Miele appliances can be installed flush or proud. Discuss your installation requirements with your architect, designer and installer.

All installations must be done in accordance with local codes.

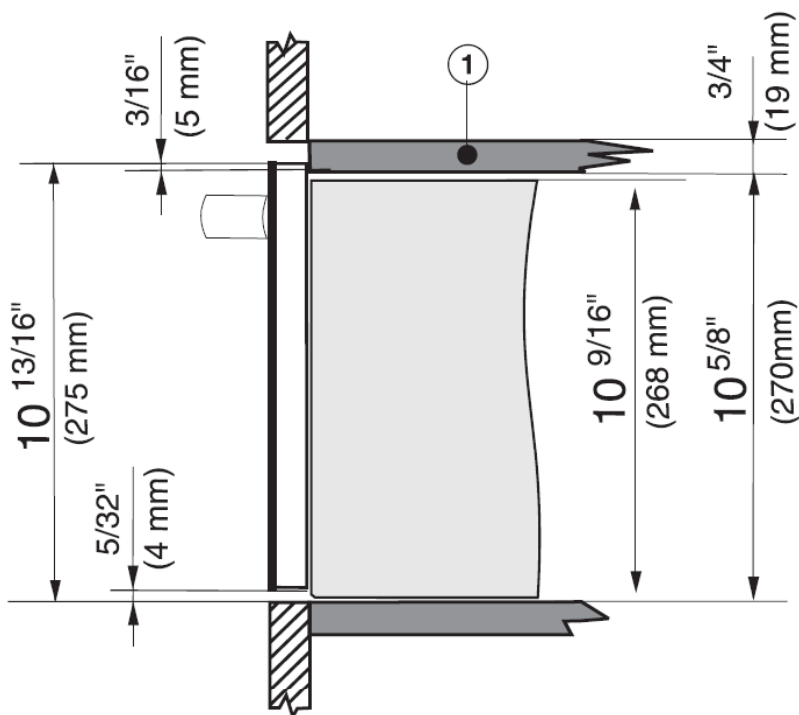
Note: Drawing is not to scale

Specification Sheets OJS 11142011

Product and Cut-out Dimensions

Warming Drawer

ESW 4826 Europa Design Black Glass and Clean Touch Steel with a DS 4043 Square Series Handle



Side view

① A base is required for solo installations

Location Codes

E – The drawer comes equipped with a 5 ft. (1.5 m) power cord with a three-prong grounding plug ready for connection to a 120V, 15 A, 60 Hz power supply.

O – 1" ² minimum hole size for plug. Outlet to be installed in adjacent cabinetry

Notes

Miele appliances can be installed flush or proud. Discuss your installation requirements with your architect, designer and installer.

All installations must be done in accordance with local codes.

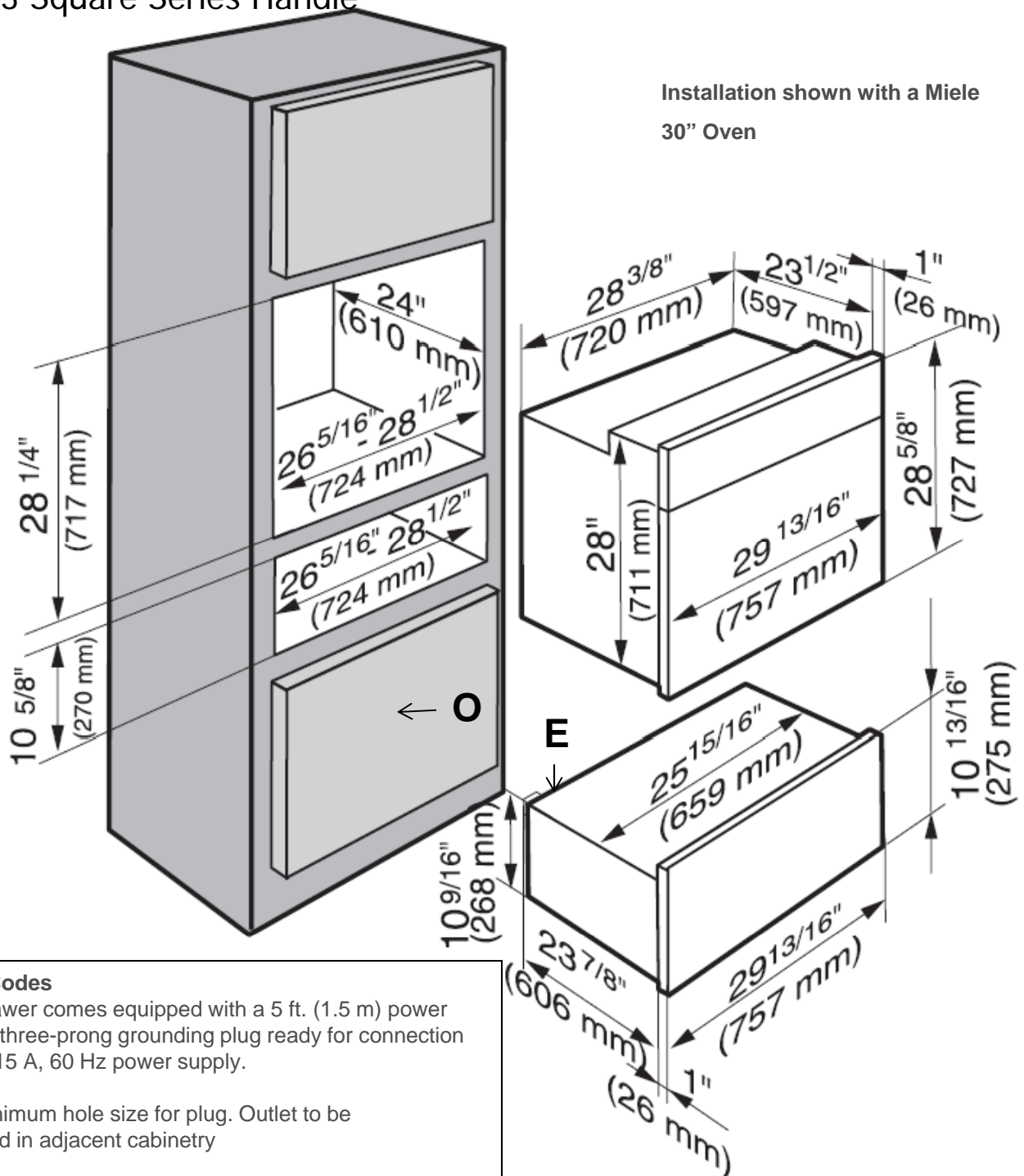
Note: Drawing is not to scale

Specification Sheets OJS 11142011

Product and Cut-out Dimensions

Warming Drawer

ESW 4826 Europa Design Black Glass and Clean Touch Steel with a DS 4043 Square Series Handle



Location Codes

E – The drawer comes equipped with a 5 ft. (1.5 m) power cord with a three-prong grounding plug ready for connection to a 120V, 15 A, 60 Hz power supply.

O – 1" ² minimum hole size for plug. Outlet to be installed in adjacent cabinetry

Notes

Miele appliances can be installed flush or proud. Discuss your installation requirements with your architect, designer and installer.

All installations must be done in accordance with local codes.

Note: Drawing is not to scale

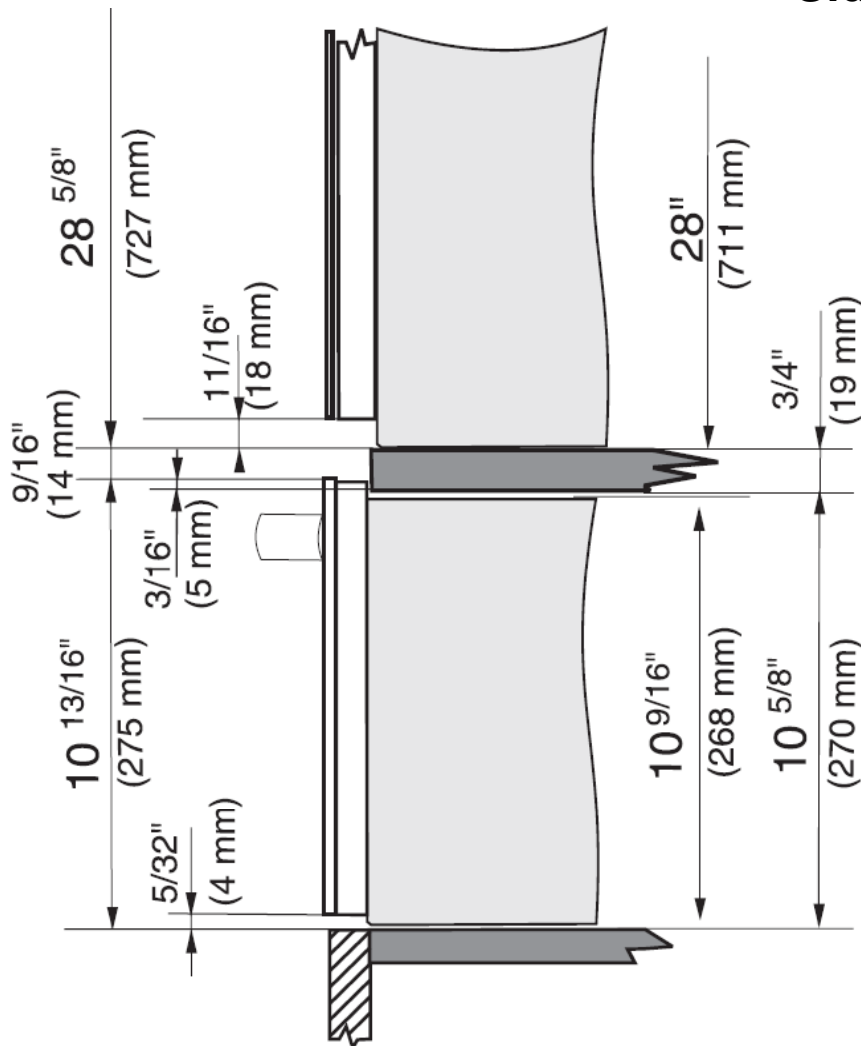
Specification Sheets OJS 11142011

Product and Cut-out Dimensions

Warming Drawer

ESW 4826 Europa Design Black Glass and Clean Touch Steel with a DS 4043 Signature Series Handle

Side view with a Miele oven



Location Codes

E – The drawer comes equipped with a 5 ft. (1.5 m) power cord with a three-prong grounding plug ready for connection to a 120V, 15 A, 60 Hz power supply.

O – 1" ² minimum hole size for plug. Outlet to be installed in adjacent cabinetry

Notes

Miele appliances can be installed flush or proud. Discuss your installation requirements with your architect, designer and installer.

All installations must be done in accordance with local codes.

Note: Drawing is not to scale

Specification Sheets OJS 11142011