

Decor Island  
Ventilation Hood

DA 424V-6



# Décor Island Ventilation Hood DA 424V-6



## DA 424V-6

### Features:

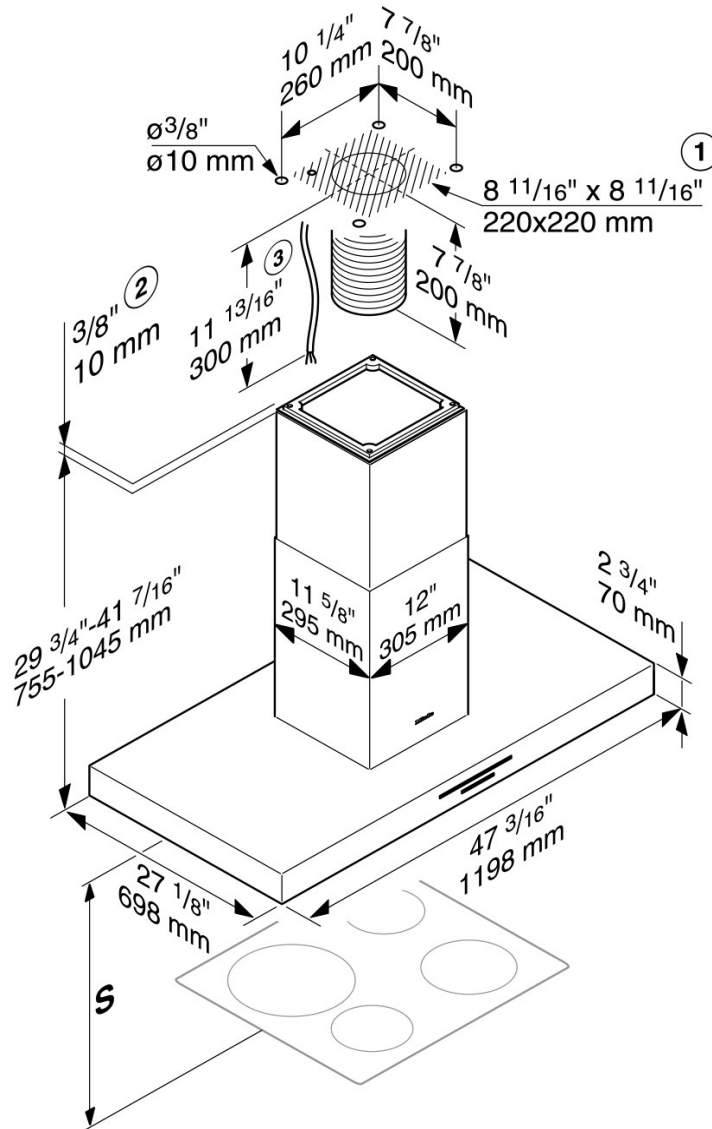
- NEW: Con@ctivity - communication between hood and cooktop
- NEW: Telescopic chimney
- NEW: LED ClearView lighting
- Designed for vented use only
- Four fan speeds (incl. intensive)
- Stainless steel finish
- Polished stainless steel logo
- Delayed shutdown
- Automatic shut-off of intensive level
- Programmable filter saturation timer
- Motorized canopy adjusts infinitely with a 12" range up or down

### SPECIFICATIONS

#### DA 424V-6 — Item 28424655USA

Max CFM	625 CFM
Canopy Dimensions	47 <sup>3</sup> / <sub>16</sub> " (1198mm) W x 2 <sup>3</sup> / <sub>4</sub> " (70mm) H x 27 <sup>1</sup> / <sub>8</sub> " (698mm) D
Height	29 <sup>3</sup> / <sub>4</sub> " (755mm) - 41 <sup>7</sup> / <sub>16</sub> " (1045mm)
Chimney Dimensions	12" (305mm) W x 11 <sup>5</sup> / <sub>8</sub> " (295mm) D
<b>Electrical</b>	
Electrical Requirements	120 V, 60 Hz, 15 Amps
Power Cord Requirements	The hood must be hard wired. Power cord will need to be a minimum 11 <sup>13</sup> / <sub>16</sub> " (300 mm) in length is required between the ceiling and the hood connectors. (Not supplied)
<b>Exhaust Duct</b>	
Recommended Duct Diameter	6" (150mm)
<b>Shipping</b>	
Shipping Weight	107.8 lbs (49kg)
<b>Support</b>	
Call Miele	800.843.7231
Miele Website	<a href="http://www.mieleusa.com">www.mieleusa.com</a>
20/20 Link	<a href="http://2020technologies.com">2020technologies.com</a>

## PRODUCT VIEW



1) Mounting area for exhaust ducting and power cable.

2) Alternative installation with spacer frame

3) A power cord is required to connect the hood to the power supply. (Not supplied)

Exhaust connection diameter 6" (150 mm)

S) Distance between cooktop and ventilation hood.  
Please see manual for further detail.