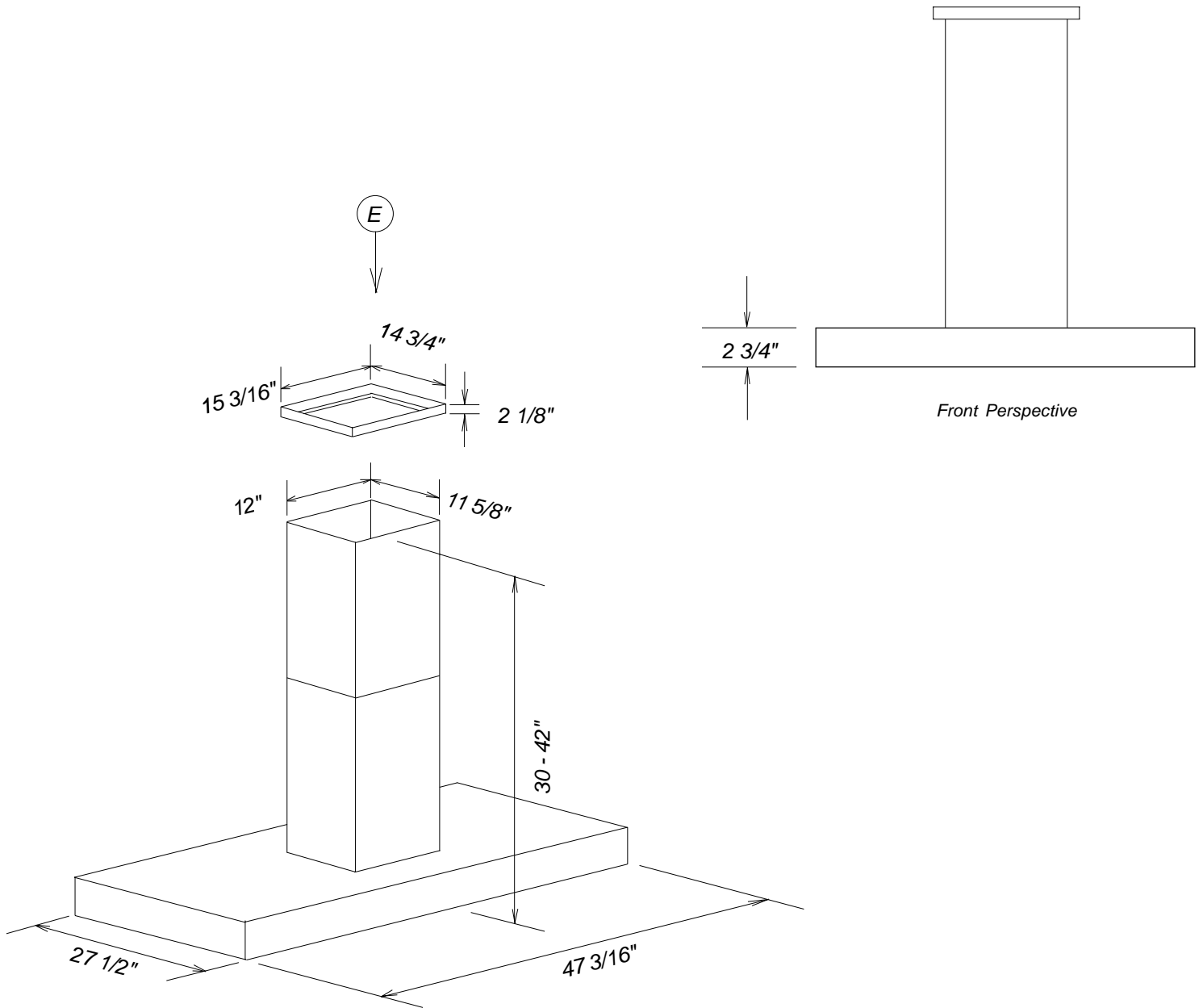


# Product Dimensions

## Motorized Island Hood

### DA424V



Location Codes
E - 120 Volt - 15 Amp 3-wire power supply connects at top of chimney.
Notes
<ul style="list-style-type: none"> <li>All installations must be done in accordance with local codes.</li> <li>Mounting plate must be used.</li> <li>6" duct connects to mounting plate at top of chimney.</li> </ul>

NOTE: Drawing is not to scale.  
SPECIFICATION SHEETS 11/23/2009

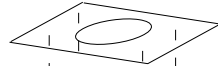
# Installation Dimensions

## Motorized Island Hood

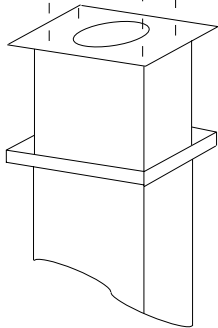
### DA424V



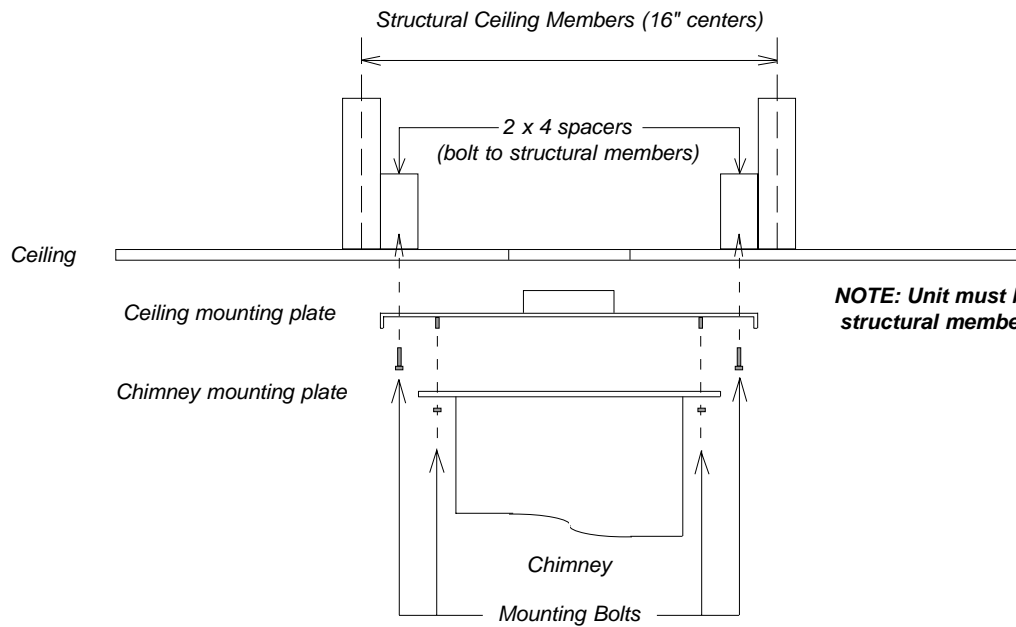
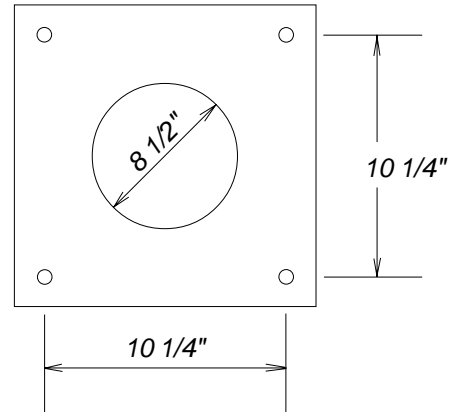
Ceiling mounting plate



Chimney mounting plate



Ceiling Mounting Plate Detail



**NOTE: Unit must be secured to structural members in ceiling.**

#### Notes

- Center unit over cooking surface
- Bolt spacers to structural members
- Attach ceiling mounting plate to spacers in ceiling using supplied mounting bolts
- External ducting connects to ceiling mounting plate
- Connect chimney mounting plate to ceiling mounting plate using supplied mounting bolts.

NOTE: Drawing is not to scale.  
SPECIFICATION SHEETS 11/23/2009