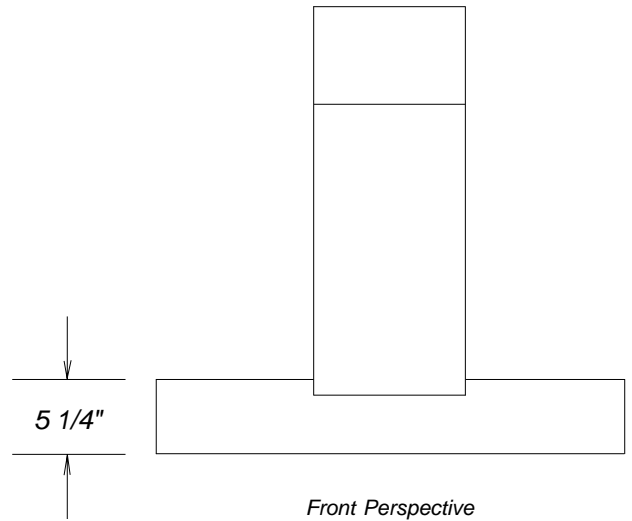
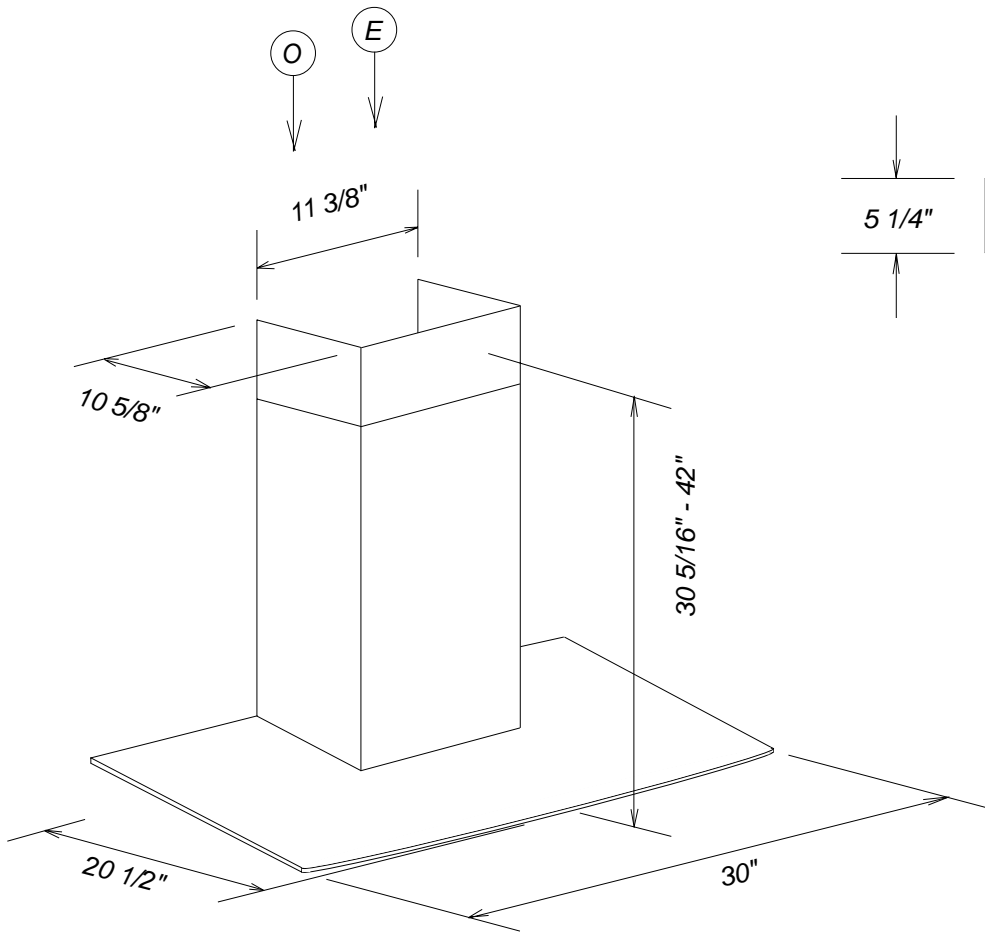


Product Dimensions

Decorator Wall Hood

DA5980W



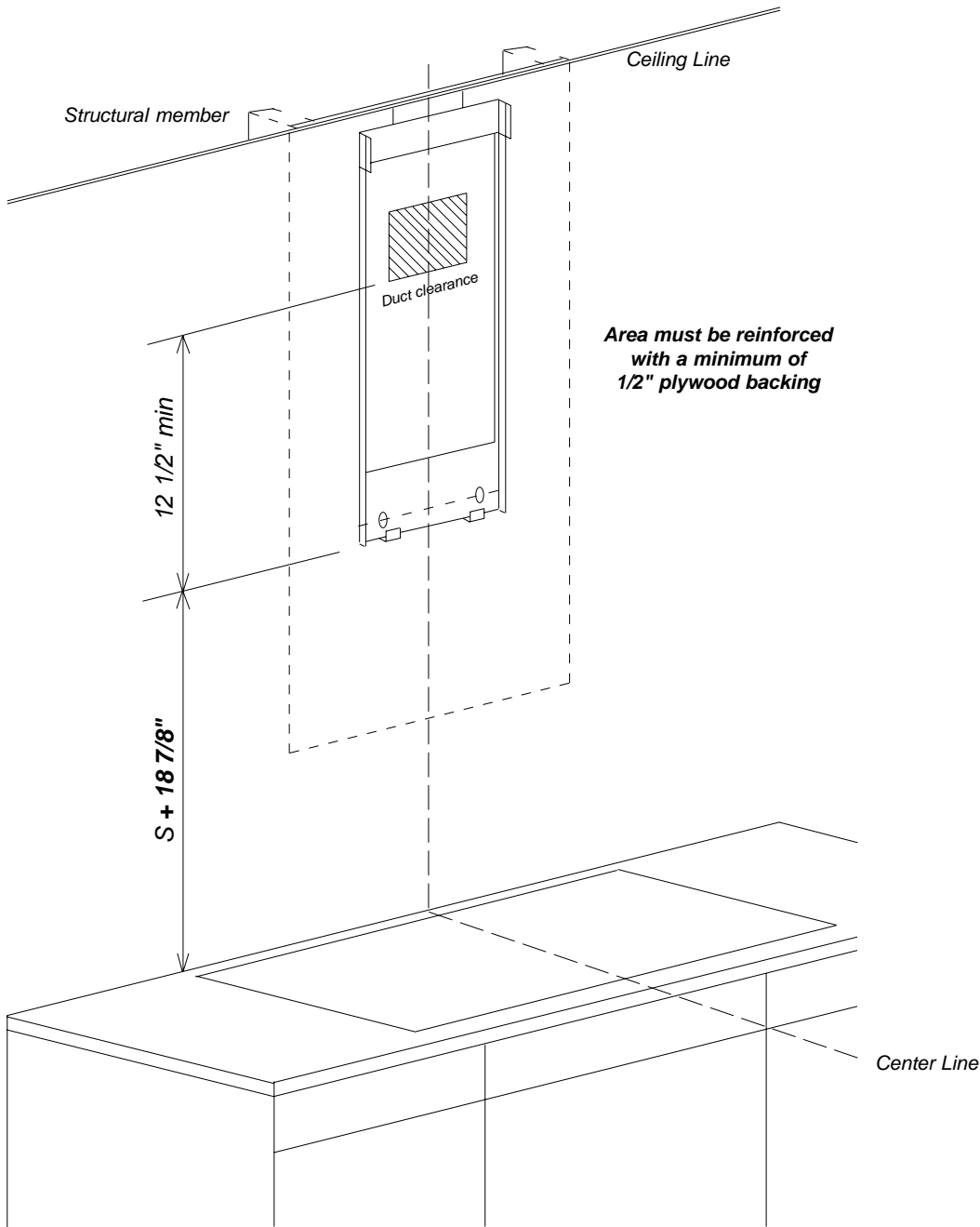
Location Codes
<p><i>E</i> - 110 Volt - 15 Amp 3-wire power supply connects through top or rear of chimney.</p> <p><i>O</i> - Standard 110 Volt Outlet</p>
Notes
<ul style="list-style-type: none"> • All installations must be done in accordance with local codes. • 6" duct connects to blower system inside chimney.

NOTE: Drawing is not to scale.
SPECIFICATION SHEETS 060110

Installation Dimensions

Decorator Wall Hoods

DA5980W



Notes

- Center unit over cooking surface
- Distance "S" is determined by the cooking surface.
Minimum distance "S" is:
 - 24" for electric surfaces
 - 24" for gas surfaces based on BTU output
(see hood instructions for details)
- Area behind mounting plates **MUST** be reinforced using a minimum of 1/2" plywood. Reinforcing material should be affixed to structural wall members

NOTE: Drawing is not to scale.
SPECIFICATION SHEETS 060110