

**Miele**

BRILLIANT WHITE PLUS  
CONVECTION OVEN

H 4886 BP BRWS+



# Brilliant White Plus Convection Oven H 4886 BP BRWS+



## FEATURES

- MasterChef touch controls
- 17 operating modes
- Multi-lingual LCD display
- Food-driven menu system
- Favorites option
- Sabbath mode
- True European convection
- Residual heat cooking
- Time remaining calculation
- Two-zone infrared broiling
- Self-cleaning oven with clean enamel interior
- FlexiClips - full extension rack

## SPECIFICATIONS

### Product - Item 22488695CDN

Overall Width — excluding fascia	28 <sup>3</sup> / <sub>8</sub> " (720mm)
Overall Height	28" (711mm)
Overall Depth	23 <sup>1</sup> / <sub>2</sub> " (597mm)
Oven Door Clearance	22 <sup>1</sup> / <sub>4</sub> " (565mm)
Overall Oven Interior Capacity	4.1 cu. ft.
Overall Fascia Dimensions	29 <sup>13</sup> / <sub>16</sub> " (757mm) W x 28 <sup>5</sup> / <sub>8</sub> " (727mm) H x 1" (25mm) Thick
Oven Interior Dimensions	16 <sup>3</sup> / <sub>4</sub> " (425mm) D x 21 <sup>7</sup> / <sub>8</sub> " (556mm) W x 15 <sup>11</sup> / <sub>32</sub> " (390mm) H

### Built-In

Minimum Cabinet Width	28 <sup>1</sup> / <sub>2</sub> " (724mm)
Minimum Cabinet Height	28 <sup>1</sup> / <sub>4</sub> " (717mm)
Minimum Cabinet Depth	24" (610mm)
Minimum Base Support	185 lbs.
Additional Cut-outs Required	Yes — Vent cut-out possible at rear or platform of cabinet. Minimum 24 sq. in.

### Electrical

Electrical Requirements	240 / 208 V AC, 60Hz, 30 amp circuit
Power Cord	Conduit — Flexible Conduit 5 ft, 4 wire cable (two live, one neutral, one ground)
Cut Out for Power Cord	Minimum 1" square
Electrical Rating	5.2 Kw at 240 V / 3.9 Kw at 208 V
Total Amps	21.7 amps at 240 V / 18.75 amps at 208 V

### Shipping

Shipping Weight	208 lbs.
Shipping Dimensions	32 <sup>5</sup> / <sub>8</sub> " W x 35 <sup>1</sup> / <sub>32</sub> " H x 30 <sup>5</sup> / <sub>16</sub> " L

### Support

Call	800.843.7231
20/20	©2020technologies.com

## STANDARD HANDLE

Chrome Handle  
DS 4047



## OPTIONAL HANDLES

Profi Handle  
DS 4040



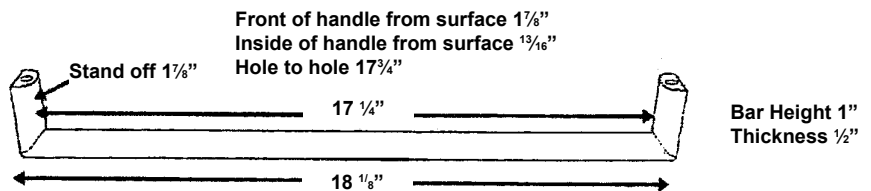
Classic Handle  
DS 4041



Straight Handle  
DS 4044



DS 4047



## INCLUDED ACCESSORIES

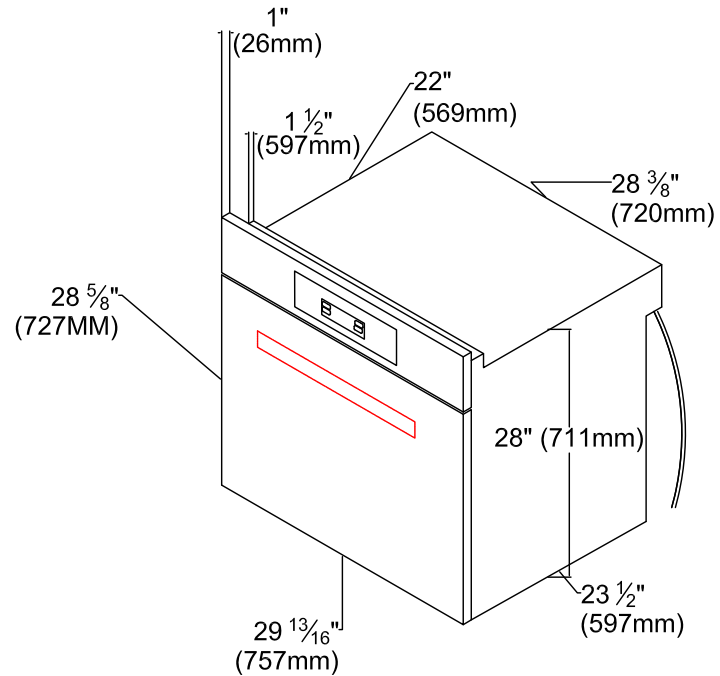
- 1 roasting pan
- 3 wire oven racks
- Roast probe
- Rotisserie

# Brilliant White Plus Convection Oven H 4886 BP BRWS+

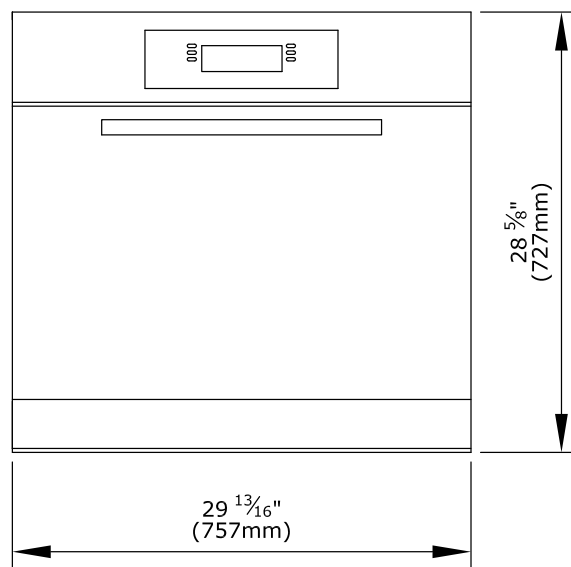


## PRODUCT VIEWS

Isometric View



Front View

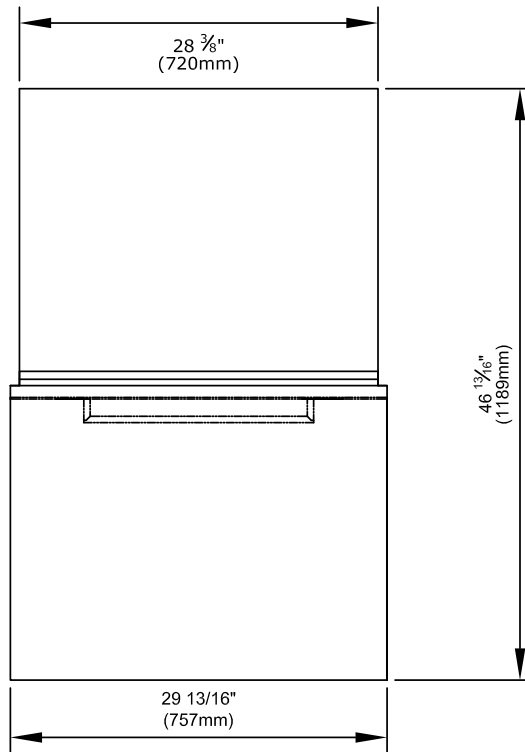


# Brilliant White Plus Convection Oven H 4886 BP BRWS+

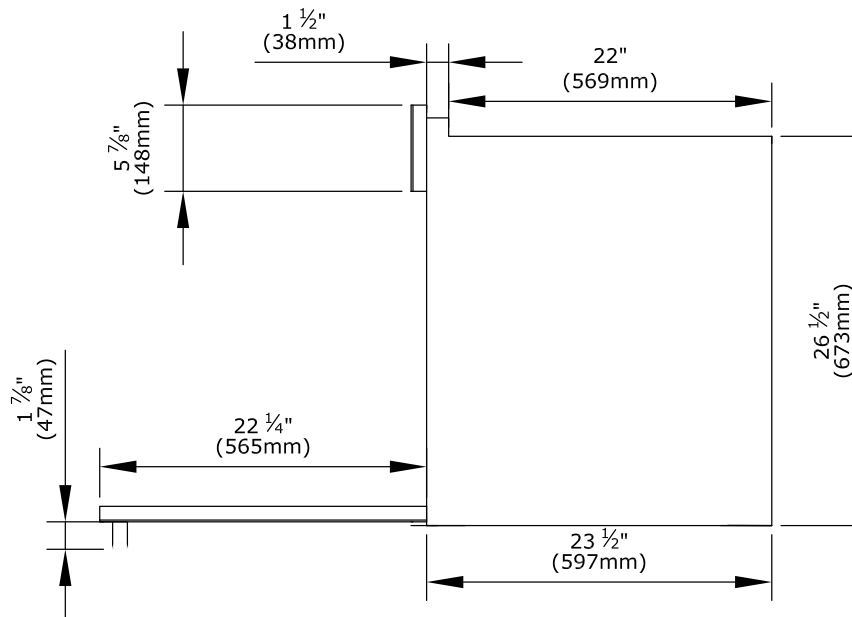


## PRODUCT VIEWS

Top View



Side View with Door Open

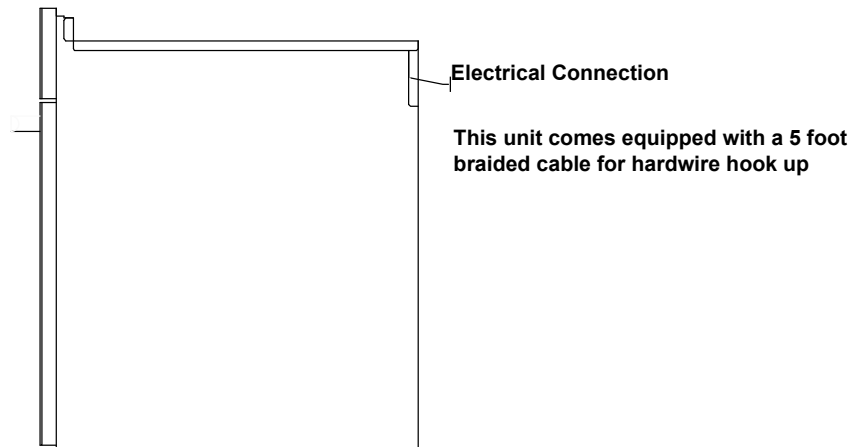


# Brilliant White Plus Convection Oven H 4886 BP BRWS+



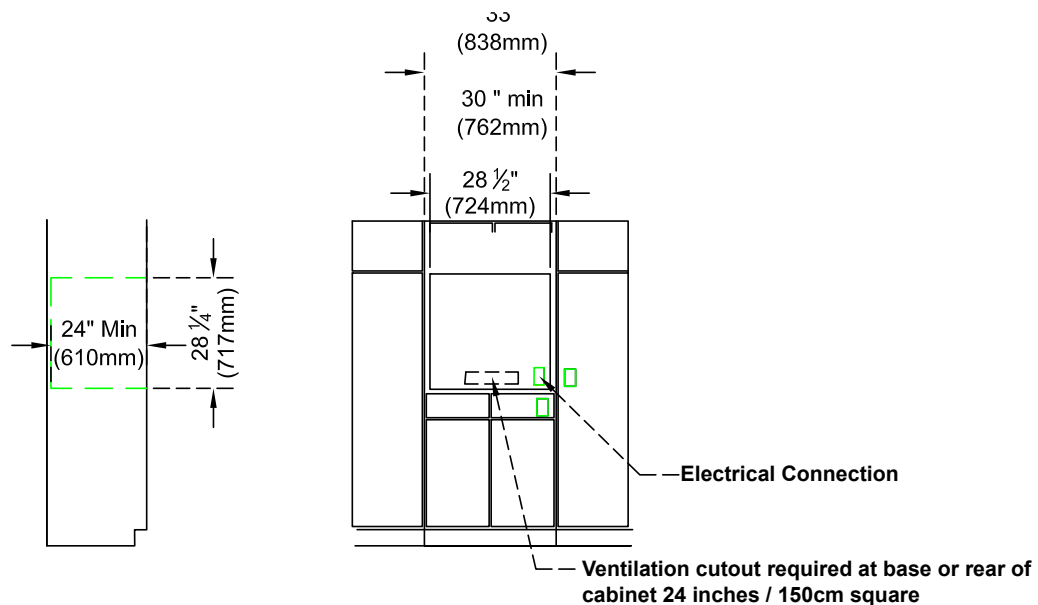
## PRODUCT VIEWS

Side View with Electrical Connection



## INSTALLATION SPECIFICATIONS

Wall Cabinet Installation

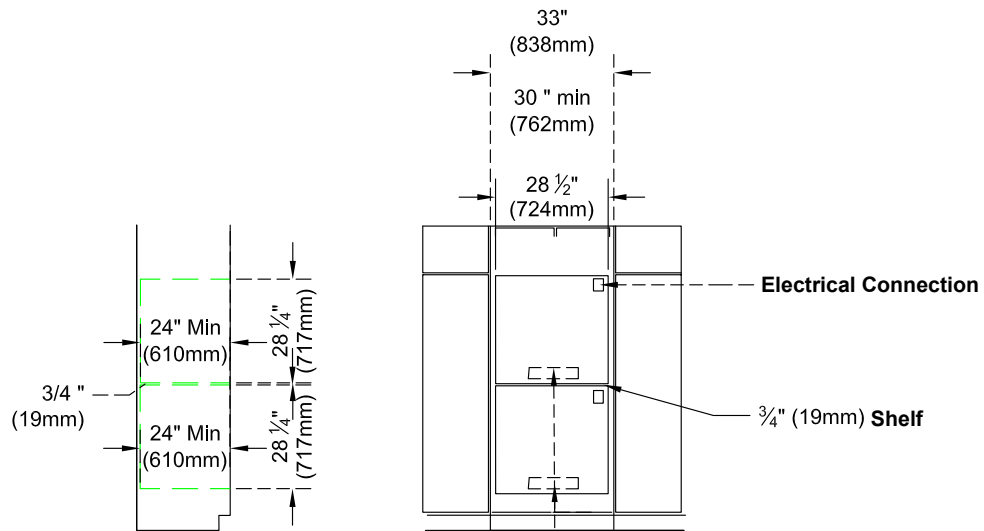


# Brilliant White Plus Convection Oven H 4886 BP BRWS+



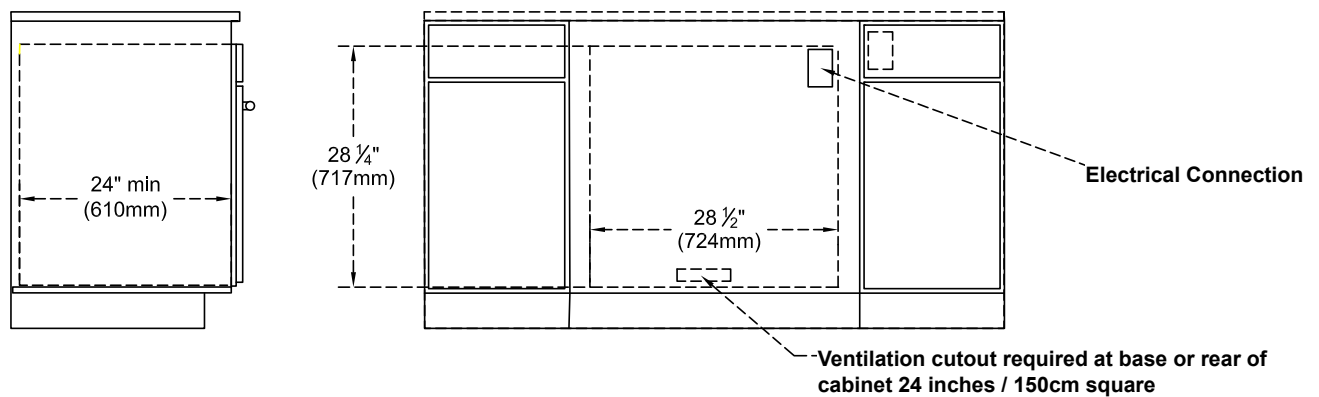
## INSTALLATION SPECIFICATIONS

### Wall Mount Stacked Installation



Ventilation cutout at base or rear of cabinet 24 inches / 150cm square

### Undercounter Installation

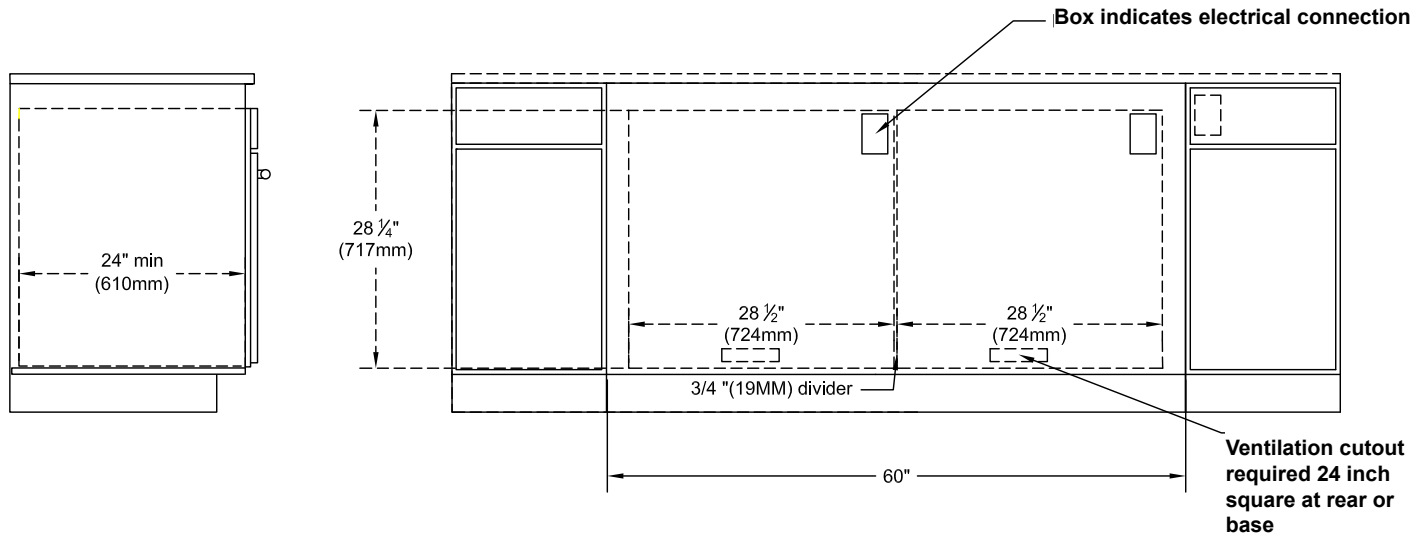


# Brilliant White Plus Convection Oven H 4886 BP BRWS+



## INSTALLATION SPECIFICATIONS

Side-by-Side Undercounter Installation



Ventilation cutout at base or rear of cabinet  
24 inches / 150cm square