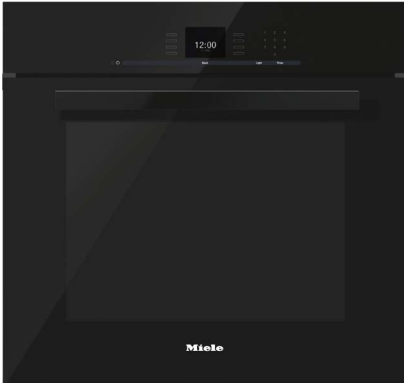


PureLine Obsidian Black 30" Convection Oven

H 6680 BP OBSW



PureLine Obsidian Black 30” Convection Oven H 6680 BP OBSW



H 6680 BP OBSW

Features:

- SensorTronic controls: 5-line TFT display with laterally positioned sensor controls that clearly present menu content
- Self Clean Oven
- 18 Operating Modes
- Rapid PreHeat
- MasterChef menu offers over 100 food types to cook to perfection
- Roast Probe for perfect roasting results
- Favorites — up to 20 recipes
- Sabbath Program
- CleanGlass Door
- Timer
- TwinPower Fans provide optimum and even distribution of hot air
- Soft Open and Soft Close for an easier handling
- The simple yet sleek Silhouette handle seems to float enhancing its modern design lines

SPECIFICATIONS

H 6680 BP OBSW — Item 22668023USA

Overall Unit Width - Excluding Fascia Dimension	28 ⁷ / ₁₆ " (722 mm)
Overall Height - Excluding Fascia Dimension	27 ³ / ₄ " (705 mm)
Overall Unit Depth - Excluding Fascia Dimensions	23 ³ / ₄ " (603 mm)
Oven Door Clearance	22" (558 mm)
Overall Fascia Dimensions	29 ¹³ / ₁₆ " (757 mm) W x 28 ⁵ / ₈ " (727 mm) H x 7 ¹ / ₈ " (23 mm) D
Built-In	
Minimum Cabinet Width	28 ¹ / ₂ " (724 mm)
Minimum Cabinet Depth	24" (610 mm)
Minimum Cabinet Opening Height	28 ¹ / ₄ " (718 mm)
Minimum Base Support	193 lbs
Additional Cut-outs Required	Venting cut-out required at base of cabinet (4" x 28" / 100 mm x 720 mm) in the bottom of the cabinet for power cord and ventilation
Electrical	
Electrical Requirements	208/240V, 30A, 60Hz
Power Cord	Yes - NEMA 14-30 plug 6 ft (1.8 m)
Electrical Rating	120/208V, 30A, 60Hz, 5000w 120/240V, 30A, 60Hz, 6700w
Total Amps	28A (240V) / 24A (208V)
Shipping	
Shipping Weight	216 lbs
Shipping Dimensions	32 ¹¹ / ₁₆ " W x 35 ¹ / ₁₆ " H x 30 ⁵ / ₁₆ " L
Support	
Call Miele	800.843.7231
Miele Website	www.mieleusa.com
20/20 Link	2020technologies.com

PureLine Obsidian Black 30" Convection Oven H 6680 BP OBSW



HANDLE SPECIFICATIONS

<p>Comfort Handle: Standard with ContourLine (DS 6708 Item #09828380)</p>	<p>ComfortSwivel Handle: Optional for ContourLine Optional for PureLine (DS 6718 Item # 09828390)</p>
------------------------------------------------------------------------------------------	--------------------------------------------------------------------------------------------------------------------------

<p>Comfort Handle standard on H 6180 BP</p>		<p>ComfortSwivel Handle standard on H 6580 BP</p>
-----------------------------------------------------	--	-----------------------------------------------------------

<p>Silhouette Handle: Standard with Pureline Optional for Contourline (DS 6808 Item # 09828400)</p>	
------------------------------------------------------------------------------------------------------------------------	--

<p>Silhouette Handle standard on H 6280 BP and H 6680 BP</p>	
--------------------------------------------------------------------------	--

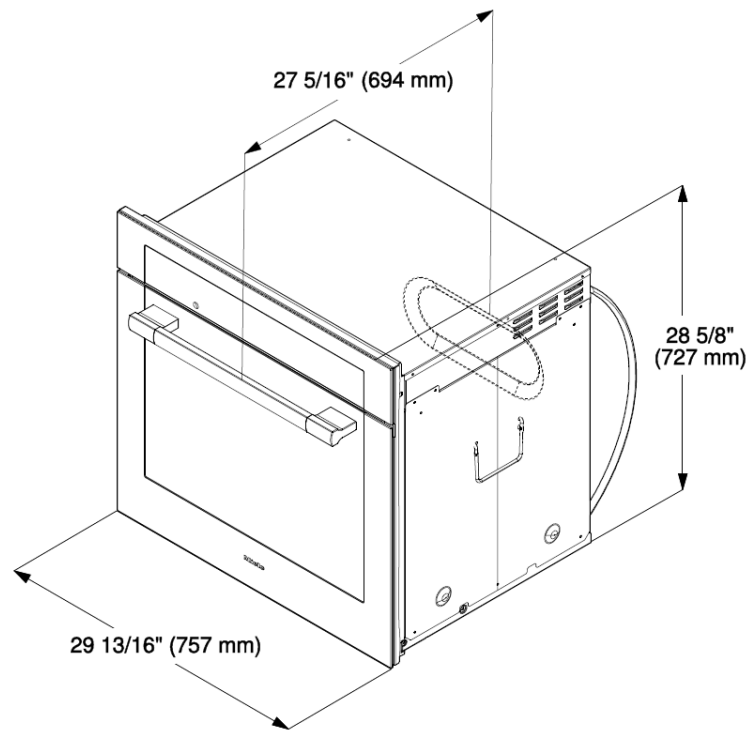
<p>Silhouette Handle (Chrome): Standard with BrilliantWhite (DS 6808 Item # 09828410)</p>	<p>Silhouette Handle: Standard with Truffle Brown (DS 6808 Item # 09870690)</p>
----------------------------------------------------------------------------------------------------------	------------------------------------------------------------------------------------------------

PureLine Obsidian Black 30" Convection Oven H 6680 BP OBSW

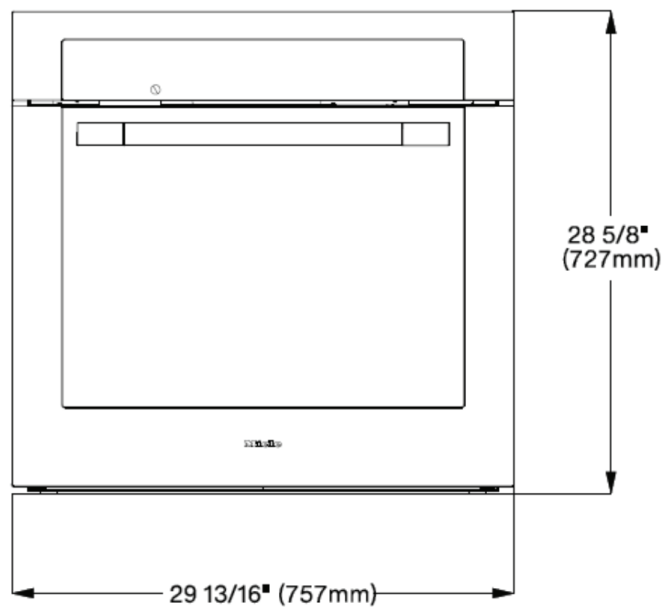


PRODUCT VIEWS

Isometric



Front

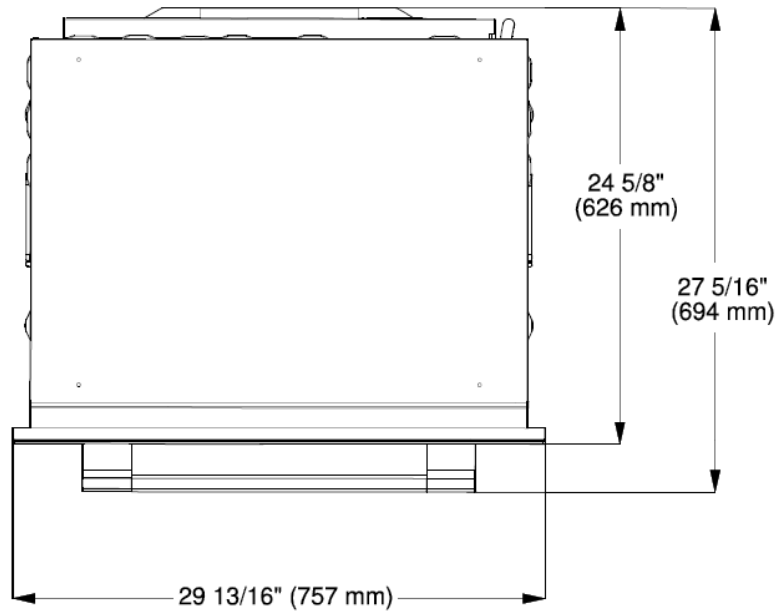


PureLine Obsidian Black 30" Convection Oven H 6680 BP OBSW

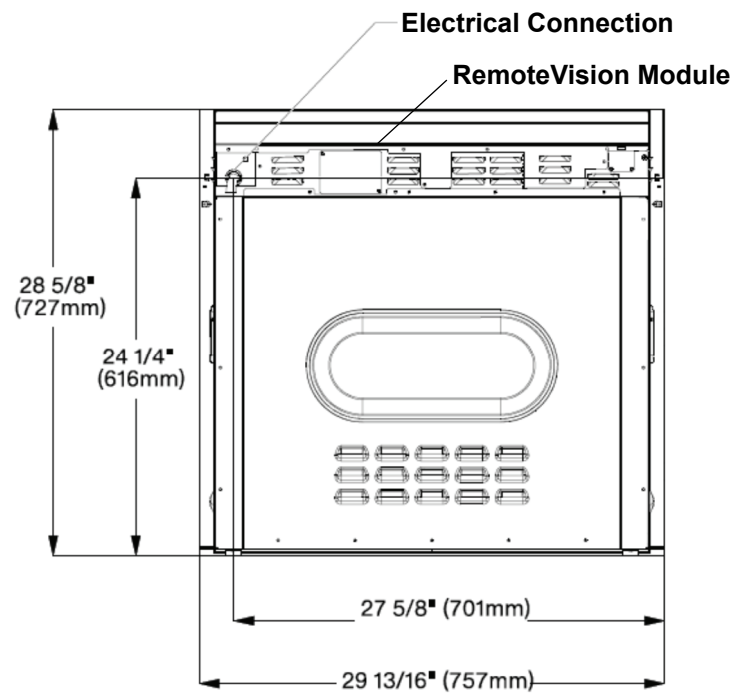


PRODUCT VIEWS

Top View



Rear View

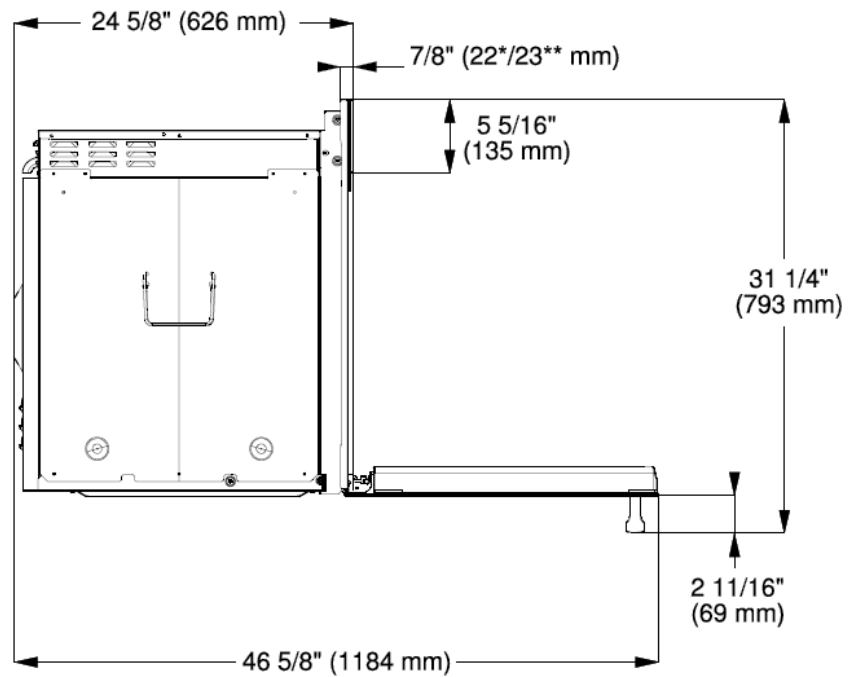


PureLine Obsidian Black 30" Convection Oven H 6680 BP OBSW



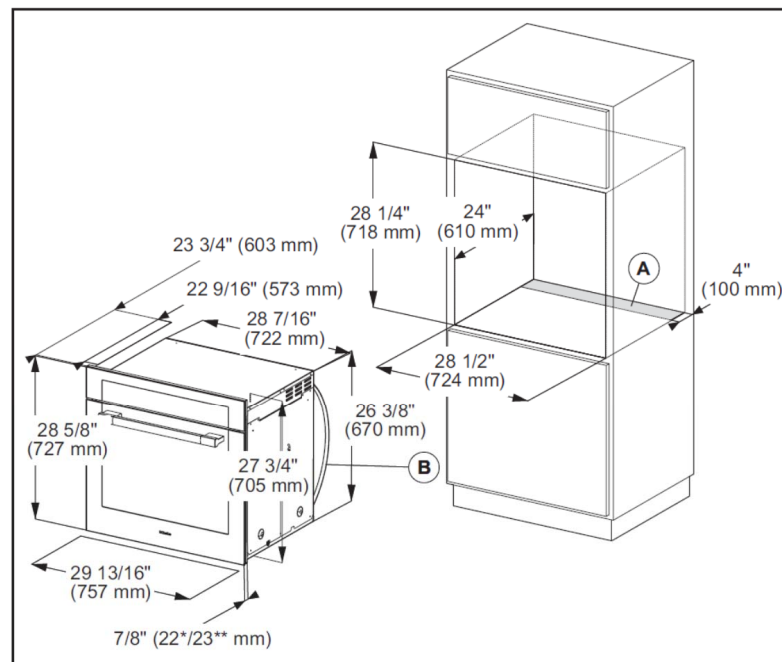
PRODUCT VIEWS

Side View



INSTALLATION SPECIFICATIONS

Install in Tall Cabinet



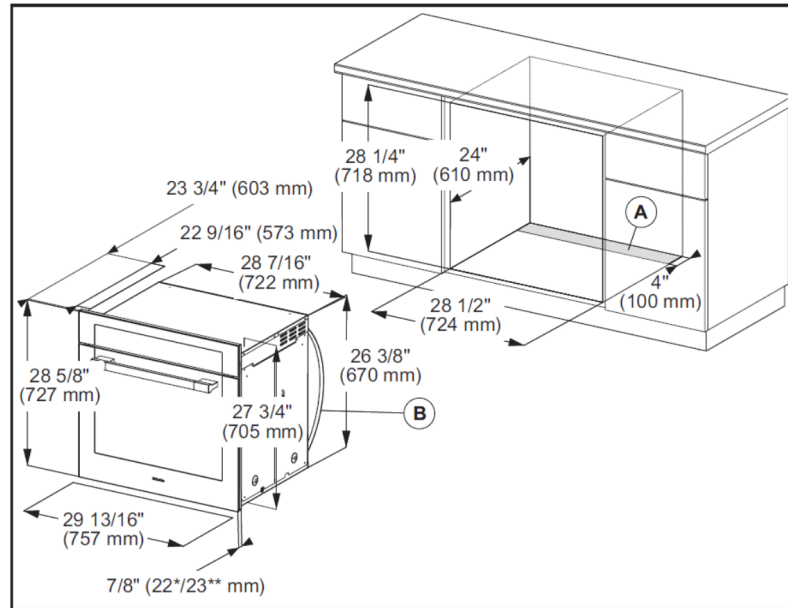
- Ⓐ Cut-out (4" x 28" / 100 mm x 720 mm) in the bottom of the cabinet for power cord and ventilation
- Ⓑ Power cord with plug
- * Oven with glass front
- ** Oven with metal front

PureLine Obsidian Black 30" Convection Oven H 6680 BP OBSW



INSTALLATION SPECIFICATIONS

Undercounter Installation



Ⓐ Cut-out (4" x 28" / 100 mm x 720 mm) in the bottom of the cabinet for power cord and ventilation

Ⓑ Power cord with plug

* Oven with glass front

** Oven with metal front

Undercounter Installation Front view Installed

