

# Operating Instructions

## Vented Dryer

### T 1515

To prevent accidents  
and machine damage  
read these instructions  
**before** installation or use.




# Contents

---

<b>IMPORTANT SAFETY INSTRUCTIONS</b> .....	3
<b>Quick Guide</b> .....	Center pages
<b>Guide to the dryer</b> .....	5
<b>Before loading the dryer</b> .....	7
<b>Using the dryer</b> .....	8
1. Turn on the dryer and load the laundry .....	8
2. Select a program .....	9
3. Select the Buzzer to signal the end of the program (if desired) .....	9
4. Select the load size .....	9
<b>Programs</b> .....	10
<b>Using the dryer</b> .....	11
4. Start the program .....	11
5. At the end of a program .....	11
<b>Dryer care</b> .....	12
Cleaning the lint filter .....	12
Changing the light bulb .....	13
Power failure - Emergency door release .....	13
<b>Frequently asked questions</b> .....	14
<b>After Sales service</b> .....	16
<b>Installation instructions</b> .....	17

# IMPORTANT SAFETY INSTRUCTIONS

 **WARNING** - To reduce the risk of fire, electric shock, or injury to persons when using your appliance, follow basic precautions, including the following:

- Read all instructions before using the appliance.
- Do not dry articles that have been previously cleaned, washed, soaked in, or spotted with gasoline, dry-cleaning solvents, or other flammable or explosive substances. They give off vapors that could ignite or explode.
- Do not allow children to play on or in the appliance. Close supervision is necessary when the appliance is used near children. Always close the door after use to prevent child hazards.
- Before this appliance is removed from service or discarded remove the door to the drying compartment.
- Do not reach into the dryer if the drum is moving.
- Do not install or store this appliance where it will be exposed to the weather.
- Do not tamper with the controls.

- Do not use fabric softeners or products to eliminate static in the dryer. Best results occur when a liquid softener is used in the washing machine.
- Do not use heat to dry articles containing foam rubber or similarly textured rubber-like materials.
  - Items containing, hairspray, nail polish remover or similar substances.
- Clean the lint filter before or after each load.
- Keep the area around the air intake (toekick) and adjacent surrounding areas free from lint, dust and dirt.
- The interior of the machine and exhaust duct should be cleaned periodically by qualified personnel.
- Do not place items exposed to oils in your dryer. Items contaminated with oils may contribute to a chemical reaction that could cause the laundry to catch fire.

**This dryer is intended for residential use only!**

# IMPORTANT SAFETY INSTRUCTIONS

---

■ Do not repair or replace any part of the appliance or attempt any servicing unless specifically recommended in these Operating Instructions. Repairs to electrical appliances should only be performed by qualified personnel. Incorrectly repaired machines may pose a considerable risk to the user.

## ■ GROUNDING INSTRUCTIONS

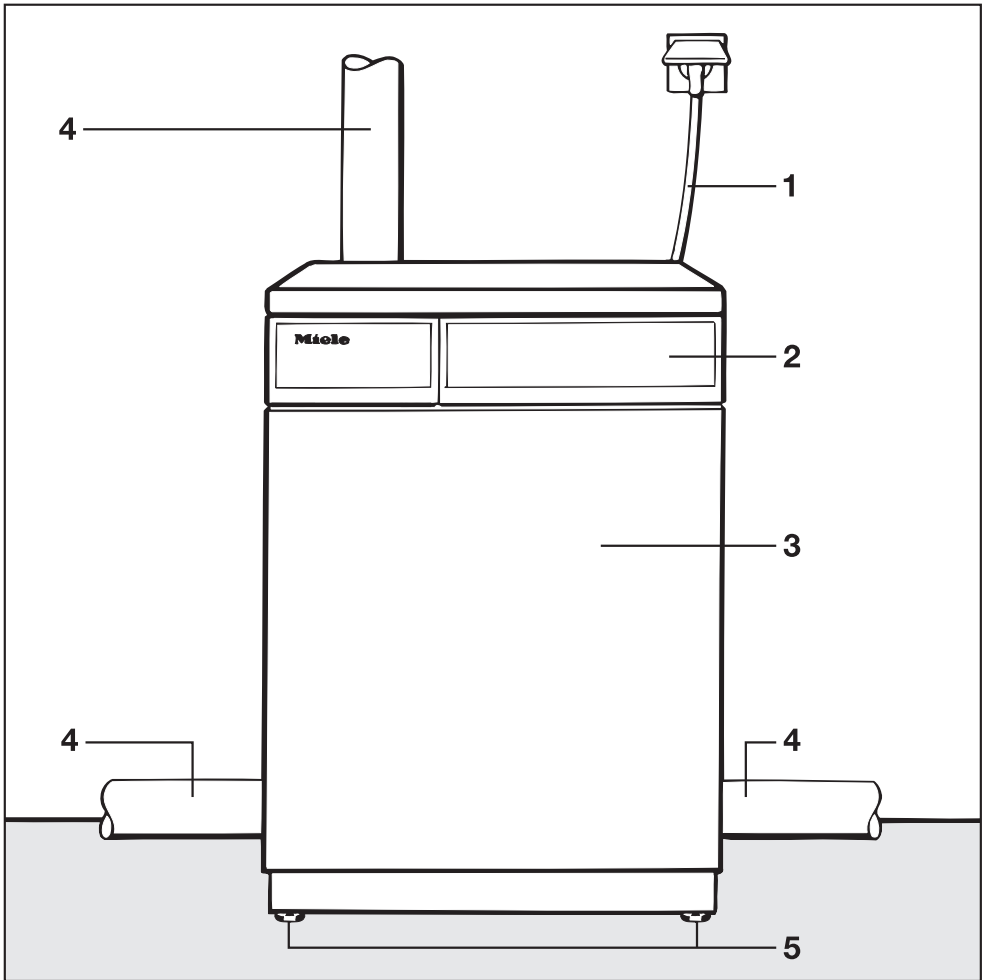
■ This appliance must be grounded. In the event of malfunction or breakdown, grounding will reduce the risk of electric shock by providing a path of least resistance for electric current. This appliance is equipped with a cord having an equipment-grounding conductor and a grounding plug. The plug must be plugged into an appropriate outlet that is properly installed and grounded in accordance with all local codes and ordinances.

■ **WARNING** – Improper connection of the equipment-grounding conductor can result in a risk of electric shock. Check with a qualified electrician or service representative or personnel if you are in doubt as to whether the appliance is properly grounded.

■ Do not modify the plug provided with the appliance: if it will not fit the outlet, have a proper outlet installed by a qualified electrician.

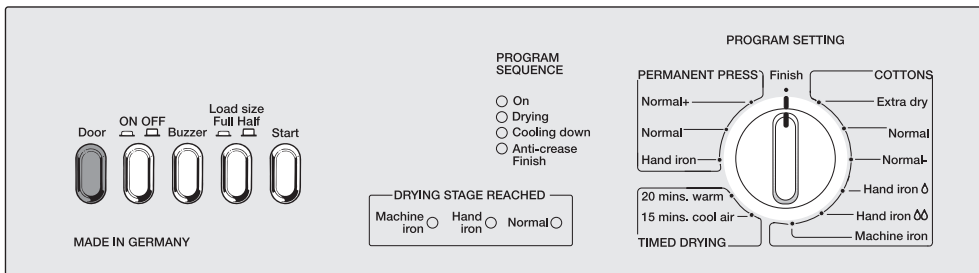
## **SAVE THESE INSTRUCTIONS**

# Guide to the dryer



- 1 Supply cable with plug
- 2 Control panel
- 3 Drum door
- 4 Exhaust connection (right, left or rear)
- 5 Four height-adjustable legs

# Guide to the dryer



## Pushbuttons

- **Door**  
Opens the door or can be used to cancel a program (does not stay pushed in).
- **ON / OFF**  
Turns the machine on and off or cancels a program. When the machine is turned on, the "On" indicator will light up if the door is closed. If the door is open, the drum interior light will be on.
- **Buzzer**  
Allows the buzzer to sound as the drum rotates during the anti-crease cycle.
- **Load size - Full / Half**  
To dry a standard size load or more at peak efficiency, press this button before starting the drying cycle.
- **Start**  
Starts the selected program (does not stay pushed in).

## Indicator lamps

- **PROGRAM SEQUENCE**  
The program sequence indicator lamps show the current state of the drying program.
- **DRYING STAGE REACHED**  
These indicators show which drying stage the program has reached. For program stages "Normal" and "Extra dry" the indicator remains at the "Normal" position.

## PROGRAM SETTING-SELECTOR

Set the desired program by turning the knob either clockwise or counterclockwise.




- **COTTONS**
- **PERMANENT PRESS**
- **TIMED DRYING**  
Items can be either dried for 20 minutes (incl. a cooling-down phase) or cool air fluffed for 15 minutes.

## Before loading the dryer

The appliance must be correctly installed and connected before the first use. Please see the "Installation instructions".

- Check the dryer drum for any residue that may have deposited during the manufacturing process. If necessary clean out with a cloth.

Before drying, check fabric care labels for special drying instructions.

-  = Dry with normal temperature
-  = Dry with low temperature (select "Gentle" option)
-  = do not dry in tumble dryer

If no symbol is present:

Dry cottons and permanent press laundry in their corresponding programs.

Dry delicate fabrics like polyester, in one of the "PERMANENT PRESS" programs.

Wool, wool blends, linen and down filled items should not be machine dried.

### Drying tips

Knitted fabrics and flannel tend to shrink when washed and dried for the first time. Do not over dry these fabrics.

Permanent press and delicate fabrics tend to crease.

For better drying results reduce the load size and select the "PERMANENT PRESS/Hand iron" program.

To prevent discoloration, do not dry new dark-colored fabrics with light-colored items.

Do not overload the drum!

Overloading the dryer will result in poor drying and wrinkling.

Close zippers and tie up fabric belts and apron ties.

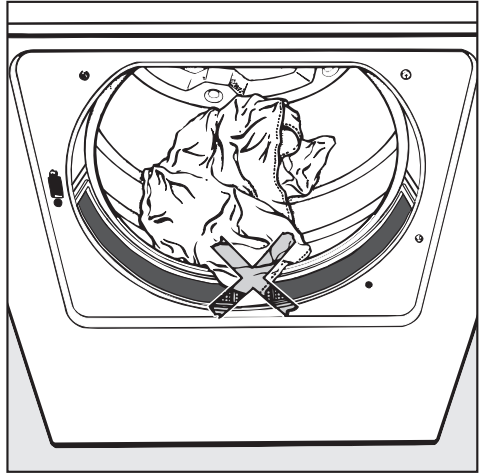
Do not dry items that may melt or ignite in the dryer such as plastics, rubber or sneakers.

# Using the dryer

## 1. Turn on the dryer and load the laundry

- Press the "On/Off" button to turn on the dryer.
- Press the "Door" button to open the door.
- Load the laundry loosely into the drum.
- Close the door with a firm swing - do not push it shut.

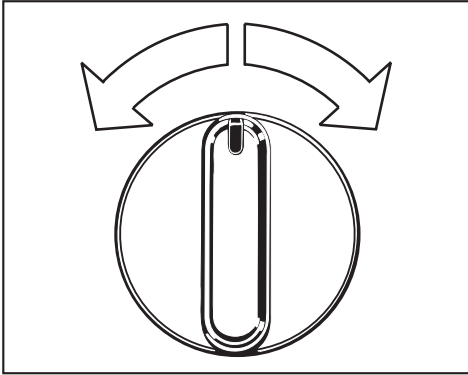
Do not use fabric softener sheets in this dryer. Silicates contained in these sheets could cause the dryer to overheat.



To prevent fabric damage, check that laundry will not be caught in the closed door.



## 2. Select a program

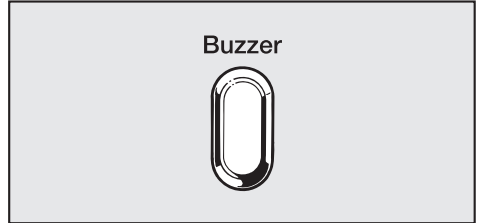


- Turn the program selector clockwise or counterclockwise to the desired program.

Please refer to the "Programs" chart.

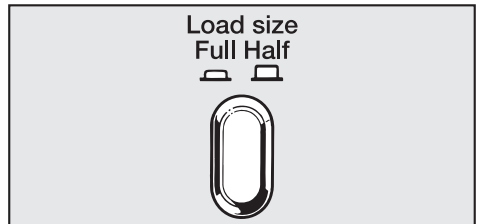
The program status will be stored for 30 minutes in the event of a power failure.

## 3. Select the Buzzer to signal the end of the program (if desired)



- Press the "Buzzer" button.

## 4. Select the load size

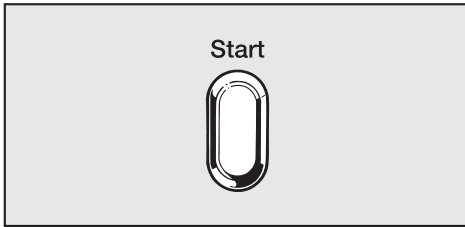


- Press the "Load size" button in for a full load.  
Press the "Load size" button out for a small load.

# Programs

Program	Fabric	Note
<b>COTTONS</b>		
<b>Extra dry</b>	For drying laundry that will be stored away, such as linens or seasonal clothing.	The "Extra dry" program should not be selected for jersey materials. <b>Items may shrink.</b>
<b>Normal</b>	Uniform loads of cotton e.g. sheets, underwear, socks.	–
<b>Normal-</b>	Knitted cotton fabrics that may shrink, e.g. jersey material or lightweight cottons.	If items are still damp, redry using "Normal+".
<b>Hand iron Δ</b>	Cotton or linen fabrics to be left damp for easier ironing.	–
<b>Hand iron ΔΔ</b>		If fabrics are too damp for ironing, redry using "Hand iron Δ".
<b>Machine iron</b>	Cotton or linen fabrics, which will be ironed with a rotary iron.	To prevent moisture loss, roll up the laundry until ironing.
<b>PERMANENT PRESS</b>		
<b>Normal+</b>	Permanent press items.	
<b>Normal</b>	Permanent press and blended fabrics made of blended woven or knitted fabrics, e.g. cotton/synthetic.	
<b>Hand iron</b>	Permanent press and blended fabrics, requiring an ironed finish.	Reduce load size for fabrics that wrinkle easily.
<b>TIMED DRYING</b>		
<b>20 mins. warm</b>	Individual items or very small loads.	–
<b>15 mins. cool air</b>	Individual items to be freshened and fluffed with cool air.	–

## 5. Start the program

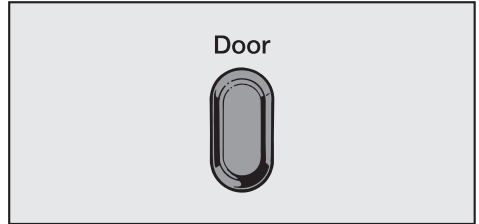


- Press the "START" button.

## 6. At the end of a program

The "Anti-crease/Finish" indicator will light at the end of a program.

- Turn the program selector to "Finish".



- Press the "Door" button to open the door.
- Remove the laundry.
- Check that the drum is empty.
- Clean the lint filter after each use (see "Cleaning and care".)

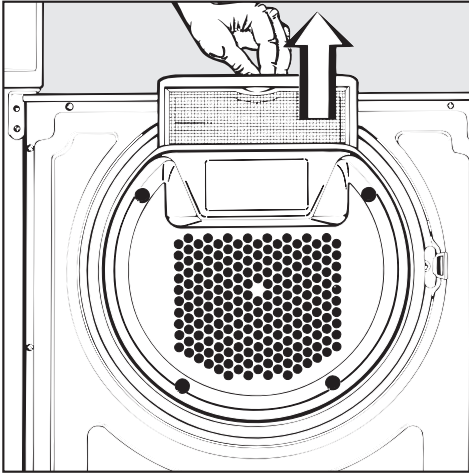


- Press the "On/Off" button to turn off the dryer.

# Dryer care

## Cleaning the lint filter

The lint filter must be cleaned before or after every program.



- Open the door and remove the lint filter.
- Wipe the lint off the filter with your hand (do not use any sharp objects!)
- Any lint remaining in the hollow part of the door can be removed through the gap at the bottom with a dust brush or vacuum.
- Return the lint filter and close the door.

### **The lint filter can be rinsed with hot water if necessary.**

- Dry the lint filter before putting it back in place.

Before cleaning the tumble dryer, disconnect the machine from the power supply.

Never use abrasive cleaners, scouring pads or steel wool or caustic (oven) cleaners on the dryer. They will damage the surface.

## Cleaning the exterior and the control panel

- The exterior and the control panel can be cleaned with warm water and liquid dish soap applied with a soft sponge.
- Wipe dry using a soft cloth.

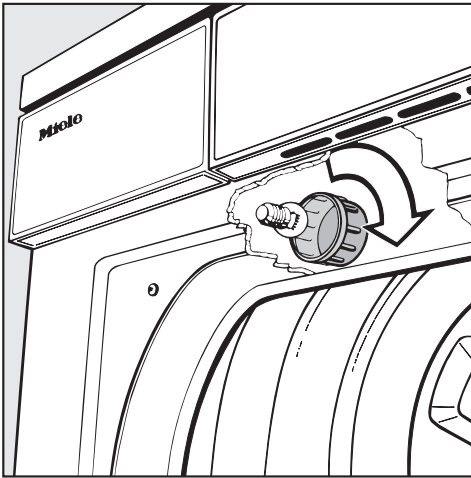
## Cleaning the drum and stainless steel parts

- Stainless steel surfaces can be cleaned using a non-abrasive stainless steel cleaner.
- Wipe dry using a soft cloth.

## Changing the light bulb

### WARNING

To reduce the risk of electric shock, disconnect this appliance from the power supply by unplugging or tripping the circuit breaker.



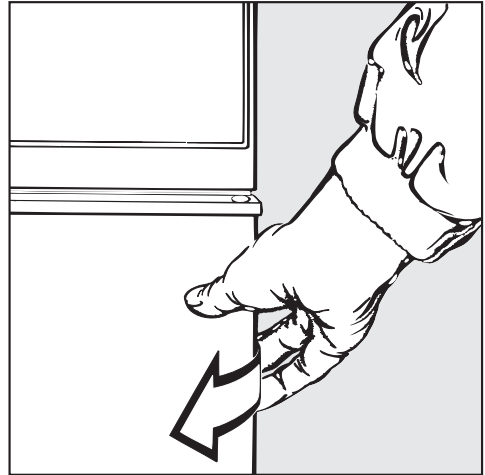
- Unscrew the plastic bulb cover located inside the drum and above the door (see illustration.)
- Replace the light bulb with a temperature proof bulb (part # 02 150 900) available from Miele's Technical Service Department.

The light bulb must not exceed the maximum wattage quoted on the data plate.

- Refit the plastic bulb cover.

Take care that the bulb cover is tightened into place. Otherwise moisture may penetrate the socket and cause a short circuit.

## Power failure - Emergency door release



- Pull forward on the unHINGED side of the door.

# Frequently asked questions

With the following guide, minor problems can be fixed without a service call.

What if	Possible fault	Fix
<p><b>... the tumble dryer fails to start when turned on?</b></p>	<p>Check whether the "On" indicator lights up. If so, failure to start may be due to an incorrect program selection procedure.</p>	<p>Repeat the program selection procedure in the correct sequence, see "Using the dryer".</p>
	<p>If the "On" indicator lamp does not illuminate, check that:</p>	<ul style="list-style-type: none"> <li>– The "ON/OFF" button is pressed in.</li> <li>– The door is properly closed.</li> <li>– The machine is plugged in and the fuse or circuit breaker has not tripped.</li> </ul>
<p><b>... the laundry is not dry enough?</b></p>	<p>The load consisted of dissimilar items (size and fabrics).</p>	<p>Select a longer drying program.</p>
	<p>Small loads or individual items may cause the program to terminate prematurely.</p>	<p>Use a timed drying program.</p>
	<p>The load was too large for the "Load size - Half" position.</p>	<p>Press the "Load size - Full" button when drying larger loads.</p>
<p><b>... the drying times are too long?</b></p>	<p>The lint filter is clogged.</p>	<p>Clean the lint filter in the door.</p>
	<p>The laundry was not spun in the washer for a sufficient time.</p>	<p>Make sure that the laundry is thoroughly spun before drying.</p>

## Frequently asked questions

What to do if, . . . ?	Cause . . .	Remedy . . .
<p><b>. . . the "anti-crease" indicator starts flashing?</b></p>		<ul style="list-style-type: none"> <li>– Turn the program selector to "finish".</li> <li>– Turn the machine off and then on again.</li> <li>– Select a program.</li> <li>– Press the "Start" button.</li> </ul>
		<p>If the indicator lamp starts flashing again, this indicates a fault in the machine. Please contact the Miele Service Dept.</p>
<p><b>. . . the drum door opens during the drying cycle?</b></p>	<p>The vent is blocked or the lint filter is clogged.</p>	<p>Clean the vents and the lint filter.</p>
	<p>A fabric softener sheet caused the dryer to overheat.</p>	<p>Do not use fabric softener sheets. Add fabric softener to the wash.</p>
		<p>If the drum door opens again, the Miele Service Dept. should be contacted.</p>
<p><b>. . . the interior drum light fails to function?</b></p>		<p>See "Changing the light bulb".</p>
<p><b>. . . you have to open the door in the event of a power failure?</b></p>		<p>See "Power failure – Emergency door release".</p>

## After Sales service

---

In the event of a problem which you cannot fix yourself, or to order spare parts please contact:

– Your Miele Dealer

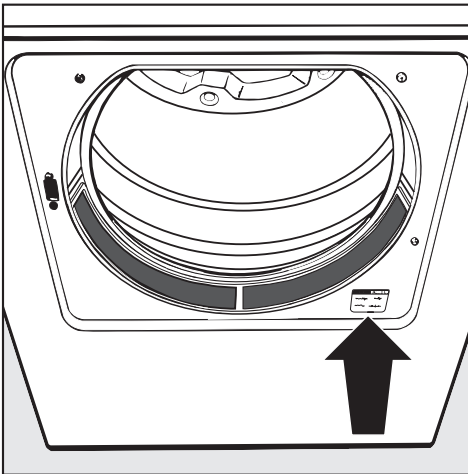
or

– The Miele Technical Service Department

USA 1-800-999-1360  
techserv@mieleusa.com

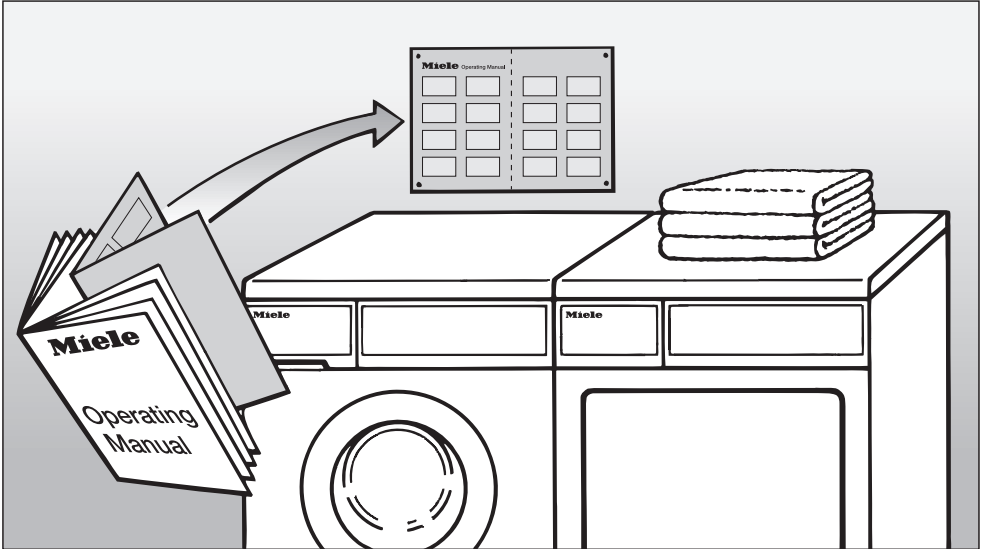
CDN 1-800-565-6435  
service@miele.ca

When contacting the Technical Service Department, please quote the model and serial number of your appliance. They can be found on the data plate located below the drum opening.





## Quick Guide

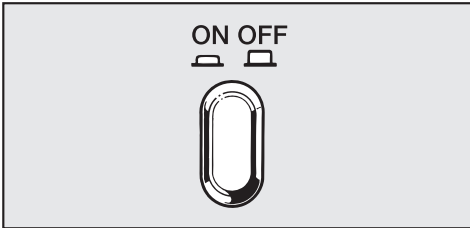


Remove this guide for easy reference

Please read all instructions, especially the "Important Safety Instructions", **before** using the dryer.

# Quick Guide

## 1. Turn on the dryer and load the laundry



- Press the "On/Off" button to turn on the dryer.

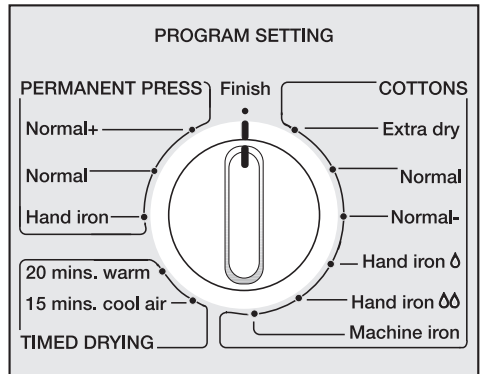


- Press the "Door" button to open the door.
- Load the laundry into the drum. Make sure that there is enough space in the drum for clothes to tumble freely.

To prevent fabric damage, check that laundry will not be caught in the closed door.

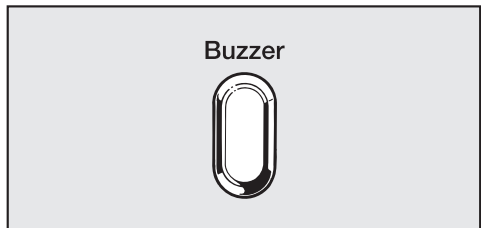
- Close the door with a firm swing - do not push it shut.

## 2. Select a program



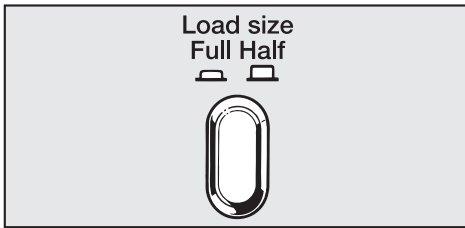
- Turn the program selector clockwise or counterclockwise to the desired program.

## 3. Select the Buzzer to signal the end of the program (if desired)



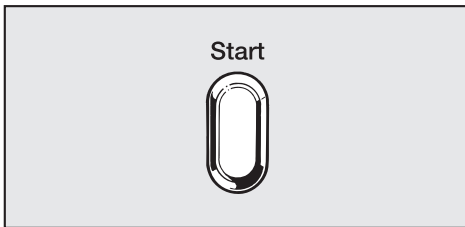
- Press the "Buzzer" button.

## 4. Select the load size



- Press the "Load size" button in for a full load.  
Press the "Load size" button out for a small load.

## 5. Start the program



- Press "START".

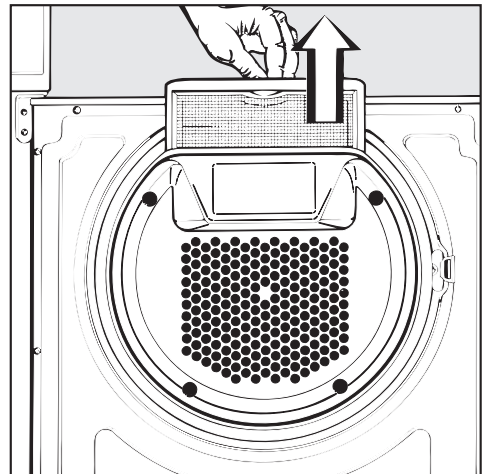
## 6. At the end of a program

The "Anti-crease / Finish" indicator will light.

- Turn the program selector to "Finish".



- Press "Door" and remove the laundry.



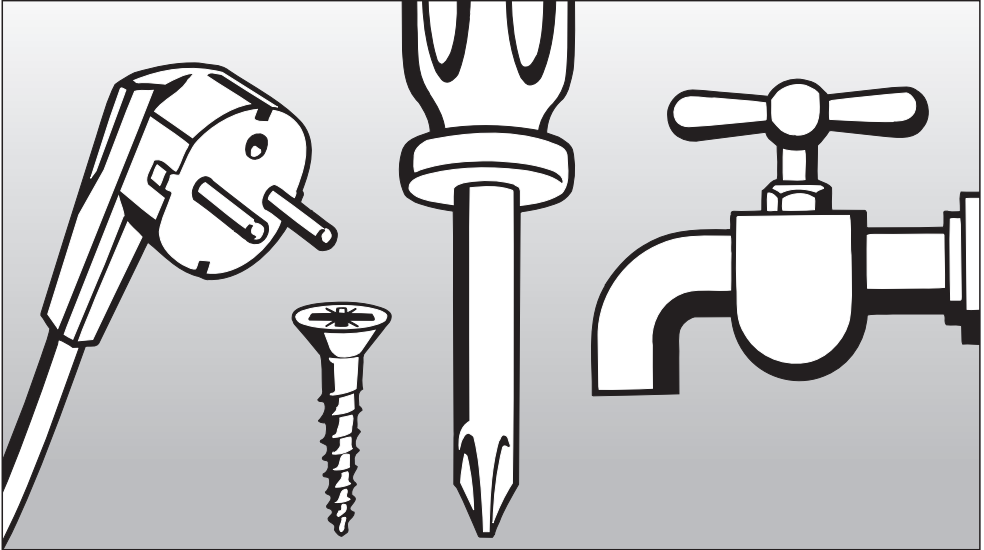
- Clean the lint filter.



- Press the "On/Off" button to turn off the dryer.

# Quick Guide

Program	Fabric	Note
<b>COTTONS</b>		
<b>Extra dry</b>	For drying laundry that will be stored away, such as linens or seasonal clothing.	The "Extra dry" program should not be selected for jersey materials. <b>Items may shrink.</b>
<b>Normal</b>	Uniform loads of cotton e.g. sheets, underwear, socks.	–
<b>Normal-</b>	Knitted cotton fabrics that may shrink, e.g. jersey material or lightweight cottons.	If items are still damp, redry using "Normal+".
<b>Hand iron Δ</b>	Cotton or linen fabrics to be left damp for easier ironing.	–
<b>Hand iron ΔΔ</b>		If fabrics are too damp for ironing, redry using "Hand iron Δ".
<b>Machine iron</b>	Cotton or linen fabrics, which will be ironed with a rotary iron.	To prevent moisture loss, roll up the laundry until ironing.
<b>PERMANENT PRESS</b>		
<b>Normal+</b>	Permanent press items.	
<b>Normal</b>	Permanent press and blended fabrics made of blended woven or knitted fabrics, e.g. cotton/synthetic.	
<b>Hand iron</b>	Permanent press and blended fabrics, requiring an ironed finish.	Reduce load size for fabrics that wrinkle easily.
<b>TIMED DRYING</b>		
<b>20 mins. warm</b>	Individual items or very small loads.	–
<b>15 mins. cool air</b>	Individual items to be freshened and fluffed with cool air.	–



## INSTALLATION INSTRUCTIONS

# Contents

---

<b>IMPORTANT SAFETY INSTRUCTIONS</b> .....	19
<b>INSTALLATION INSTRUCTIONS</b> .....	20
Disposal of the packing materials .....	20
Disposal of an old appliance .....	20
Level the dryer .....	21
Connect the ducting .....	26
Make the electrical connection .....	28

# IMPORTANT SAFETY INSTRUCTIONS

---

■ Installation, repair and maintenance work should be by a Miele authorized service technician. Work by unqualified persons could be dangerous and could void the warranty.

■ Before installation, disconnect the tumble dryer from the electrical supply by unplugging the power cord or tripping the circuit breaker.

## GROUNDING INSTRUCTIONS

■ This appliance must be grounded. In the event of malfunction or breakdown, grounding will reduce the risk of electric shock by providing a path of least resistance for electric current. This appliance is equipped with a cord having an equipment-grounding conductor and a grounding plug. The plug must be plugged into an appropriate outlet that is properly installed and grounded in accordance with all local codes and ordinances.

■ **WARNING** – Improper connection of the equipment-grounding conductor can result in a risk of electric shock. Check with a qualified electrician or service representative or personnel if you are in doubt as to whether the appliance is properly grounded.

■ Do not modify the plug provided with the appliance: if it will not fit the outlet, have a proper outlet installed by a qualified electrician.

■ This dryer must be vented outdoors.

■ Install the venting in such a way that the expelled air cannot be drawn back into the machine.

■ Do not vent the dryer into a chimney used by gas, fuel boilers, heaters, a chimney, a wall, a ceiling, or a concealed space of a building.

■ If there is any doubt concerning installation contact Miele's Technical Service Department.

USA 1-800-999-1360  
techserv@mieleusa.com

CDN 1-800-565-6435  
service@miele.ca

# INSTALLATION INSTRUCTIONS

---

## **Disposal of the packing materials**

The cardboard box and packing materials protect the appliance during shipping. They have been designed to be biodegradable and recyclable.

Ensure that any plastic wrappings, bags etc. are disposed of safely and kept out of the reach of children. Danger of suffocation! Please recycle.

## **Disposal of an old appliance**

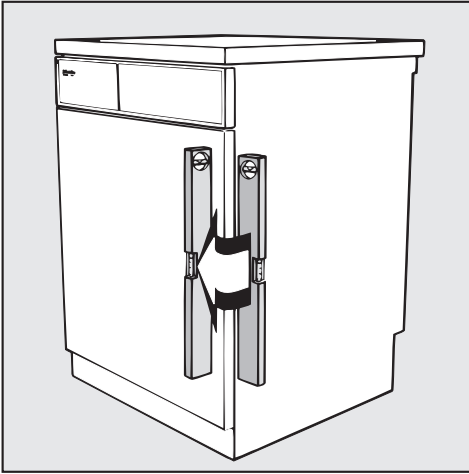
Old appliances may contain materials that can be recycled. Please contact your local recycling authority about the possibility of recycling these materials.

Ensure that the appliance presents no danger to children while being stored for disposal. Before discarding an old appliance, unplug it from the outlet and cut off its power cord and remove any doors to prevent hazards.



# INSTALLATION INSTRUCTIONS

## Level the dryer

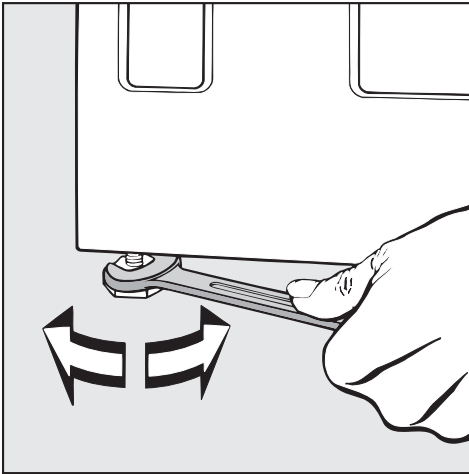


An air flow gap of  $\frac{3}{8}$ " (10 mm) must be provided between the machine and the floor. This air flow gap must not be blocked by a toekick or thick piled carpets.

The tumble dryer can also be placed on top of a Miele washing machine for a stacked installation. An appropriate stacking kit is required.

The stacking kit, part # 12 996 030, is available from your Miele dealer or the Miele Technical Service Department.

The dryer must be level to ensure safe and proper operation. Minor discrepancies do not, however, have an adverse effect on operation.



- The machine can be leveled by turning the legs clockwise or counter-clockwise as necessary.

# INSTALLATION INSTRUCTIONS

---

For best drying results, avoid extra long ducting with too many bends or angles. Avoid ducting in tight corners.

Use flexible metal pipe or rigid metal pipe for venting. Non-metallic flexible hose should not be used since it is a potential fire hazard.

The shorter the exhaust ductwork, the more efficient the dryer will be. Expelled air is slowed down in the ducts due to friction against the inner walls. The shorter and smoother the inner walls are, the less friction that will be created.

An elbow or bend creates more friction than a straight duct. An additional duct length factor must therefore be added for each elbow or bend (see Table 1.) This factor expresses the resistance of the bend in terms of a straight length of duct.

The additional length factor is then added to the measured duct length to give the effective duct length. A larger duct diameter helps to reduce friction. The duct diameter should therefore be increased with increasing duct length.

# INSTALLATION INSTRUCTIONS

## Calculate the effective duct length

The overall duct length will determine the duct diameter.

- Measure the actual duct length needed:
  1. Establish the number of elbows or bends necessary, noting the type of bend, angle and radius involved (see, Table 1).
  2. Add the additional duct length as specified in Table 1 to the actual duct length to get the effective duct length.
  3. The necessary duct diameter can then be found in Table 2.

### Note:

Drying times and energy consumption remain unaltered for 4" (100 mm) duct up to a total length of 66 ft. (20 m). Longer ducts may lead to slight increases, but, the function will not be impaired as long as the necessary duct diameter is used (Table 2).

**Table 1**

Type of bend	Angle	Radius		Additional duct length	
		inch	cm	inch	cm
Flexible metal duct	90 °	up to 16"	40.6	20"	50.8
	45 °	up to 16"	40.6	12"	30.5
Smooth metal duct	90 °	4"	10	14"	35.6
Elbow 90° sharp; no radius	90 °			90"	228.5
Concertina bend	90 °	8"	20.3	28"	71.1
Wall vent kit with louvres or window vent kit				142"	360.7
Wall vent kit with flap or window vent kit				99"	251.5
Exhaust connection left side				193"	490.2

**Table 2**

Internal diameter or edge length		Effective duct length	
inches	mm	ft	m
4"	100	0 - 66	0 - 20
5"	125	66 - 100	20 - 30
6"	150	100 - 140	30 - 42.7

# INSTALLATION INSTRUCTIONS

Flexible metal ducting has been used for the following example. Other duct types may require additional duct length (see Table 1.)

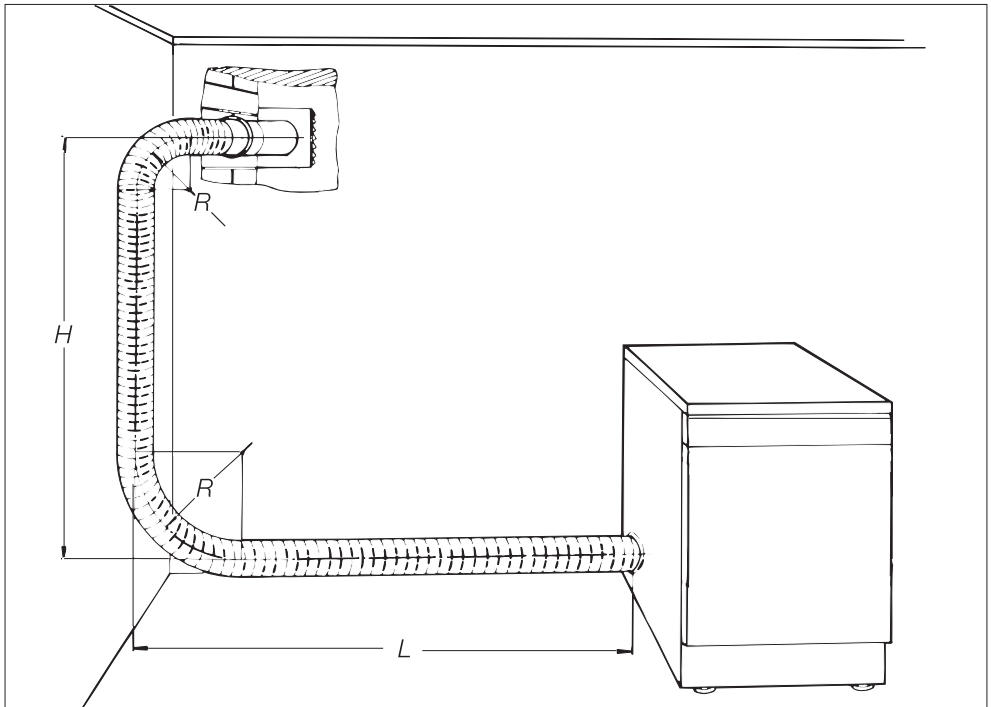
## Example:

Vent connection left . . . . . 39" (1.0 m)  
Length (L) . . . . . 47" (1.2 m)  
Lower radius (R) . . . . . 19" (0.5 m)  
Height (H) . . . . . 39" (1.0 m)  
Upper radius (R) . . . . . 19" (0.5 m)  
Wall pipe w/ grill frame . . . . . 149" (3.8 m)

Effective duct length . . . . . 312" (8.00 m)

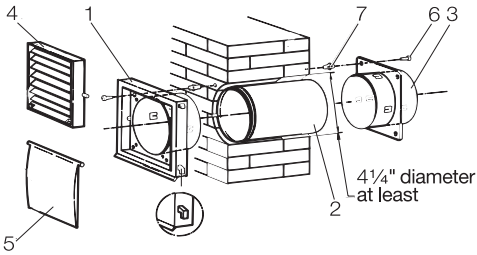
## Result:

A duct diameter of 4" (100 mm) is adequate since the effective length is less than 66 ft. (20 m) as specified in Table 2.



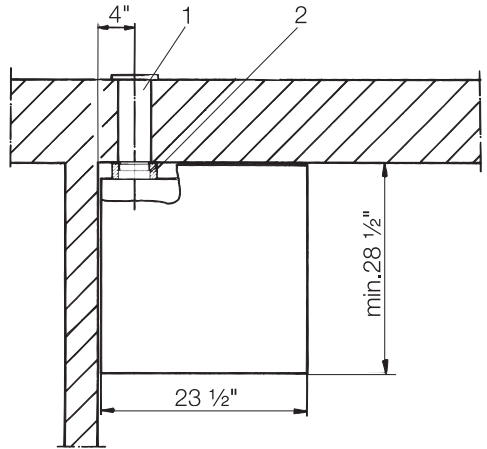
# INSTALLATION INSTRUCTIONS

## Wall vent duct



1. Louvred wall vent frame
2. Wall vent duct
3. Adapter
4. Louvred wall vent
5. Flap
6. Screw

## Dryer top view



1. Wall pipe
2. Flexible foam gasket

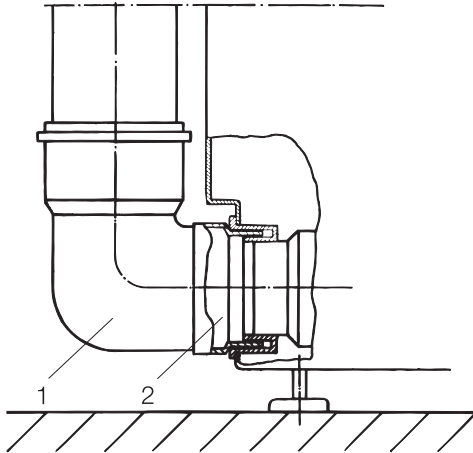
A flexible foam gasket must be used if the tumble dryer is directly connected to the wall vent.

inch	cm
4 1/4"	10.8
4"	10
23 1/2"	60
28 1/2"	72.5

# INSTALLATION INSTRUCTIONS

## Example 1

Connection of the rigid metal pipe to the dryer (side view).



- 1. KA-pipe
- 2. Adapter

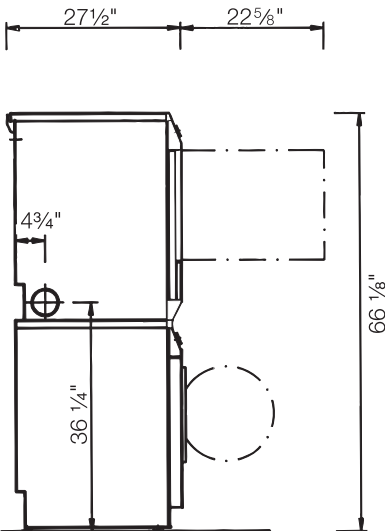
## Connect the ducting

- Attach the ducting to the vent.
- Move the dryer close to its final position.
- Attach the ducting to the exhaust port via the duct adapter, securing with duct tape or a hose clamp.

inch	cm
4 3/4"	12
22 5/8"	57.5
27 1/2"	70
36 1/4"	92
66 1/8"	168

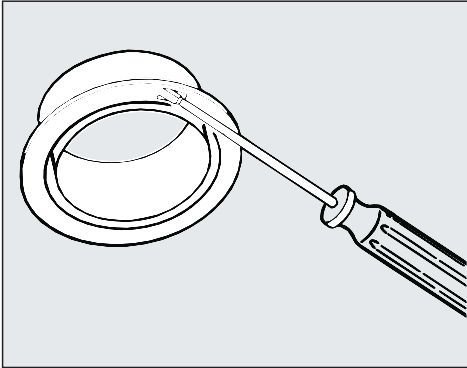
## Example 2

Height of vent adapter in a stacked installation.

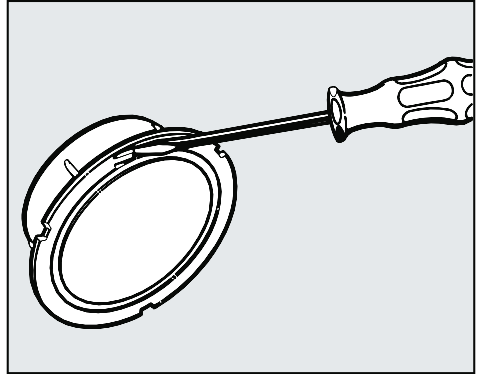


# INSTALLATION INSTRUCTIONS

To change the exhaust connection from the rear of the machine to the left side of the machine



- Remove the vent socket from the rear exhaust port by inserting a thin screwdriver into the slot by the retaining clip. Press the clip gently upwards and at the same time turn the connector counterclockwise.



- Press the retaining clip of the cap covering the left exhaust port upwards, turn it counterclockwise.
- Secure the connector into the side port by pressing it in and turning it clockwise.
- Seal the rear exhaust port with the cap.

# INSTALLATION INSTRUCTIONS

---

## Make the electrical connection

### GROUNDING INSTRUCTIONS

This appliance must be grounded. In the event of malfunction or breakdown, grounding will reduce the risk of electric shock by providing a path of least resistance for electric current. This appliance is equipped with a cord having an equipment-grounding conductor and a grounding plug. The plug must be plugged into an appropriate outlet that is properly installed and grounded in accordance with all local codes and ordinances.

**WARNING** – Improper connection of the equipment-grounding conductor can result in a risk of electric shock. Check with a qualified electrician or service representative or personnel if you are in doubt as to whether the appliance is properly grounded.

Do not modify the plug provided with the appliance: if it will not fit the outlet, have a proper outlet installed by a qualified electrician.

## Electrical connection

The dryer comes with a 5 ft long, 12/4 AWG cord and a NEMA 14-30 P plug.

It should be connected to a 120/208-240 V, 15 A, 60 Hz AC power supply. A 3 pole-4 wire grounding power outlet (NEMA type 14-30 R) is necessary.

## EASY INSTALLATION KIT

If you do not have a dedicated 15 Amp line for this appliance, but you have the standard, 120/208-240 V - 30 Amp, 60 Hz AC outlet, you can use the "Easy Installation Kit", which allows you to use that line to connect this appliance.

This dual receptacle, wall mounted connection box can **ONLY** be used for connecting a Miele 1900 series clothes washer and 1500 series clothes dryer to an existing 30 Amp (NEMA 10-30R) outlet.

For more information on the "Easy Installation Kit" or if you have questions concerning the electrical connection please contact:

USA 1-800-999-1360  
techserv@mieleusa.com

CDN 1-800-565-6435  
service@miele.ca











## **Miele, Inc.** (USA)

### **National Headquarters**

9 Independence Way  
Princeton, NJ 08540  
Phone: 800-843-7231  
609-419-9898  
Fax: 609-419-4298  
[www.mieleusa.com](http://www.mieleusa.com)

### **Technical Service & Support**

#### **Nationwide**

Phone: 800-999-1360  
Fax: 888-586-8056

#### **Mid-West Region**

Phone: 800-666-6740  
Fax: 847-714-9434

#### **South-East Region**

Phone: 561-995-8030  
Fax: 561-995-8083

#### **West-Coast Region**

Phone: 800-245-8215  
Fax: 415-241-6822

## **Miele Limited** (CDN)

### **National Headquarters**

55G East Beaver Creek Road  
Richmond Hill, ON L4B 1E5  
Phone: 800-565-6435  
905-707-1171  
Fax: 905-707-0177  
[www.miele.ca](http://www.miele.ca)  
[info@miele.ca](mailto:info@miele.ca) (general enquiries)  
[service@miele.ca](mailto:service@miele.ca) (tech. service)

### **Technical Service & Support**

#### **Ontario Region**

Phone: 905-707-1171  
Fax: 905-707-0177

#### **Quebec Region**

Phone: 877-636-4353  
Fax: 514-277-1838

#### **British Columbia Region**

Phone: 604-434-1300  
Fax: 604-434-1309