

WTV 408 Stacking Kit Installation Instructions

W1119 Washer and T1329C Dryer Only

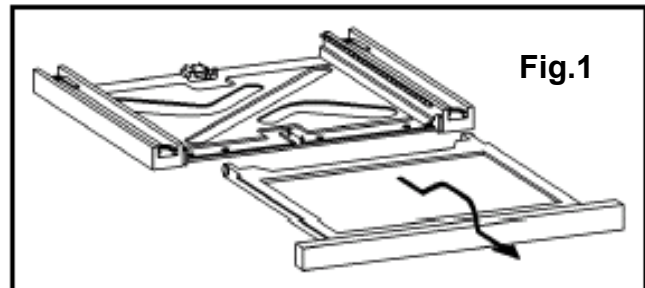
Warning!

Prior to installation or service disconnect the units by “tripping” the breaker, unplugging the unit or removing the fuse.

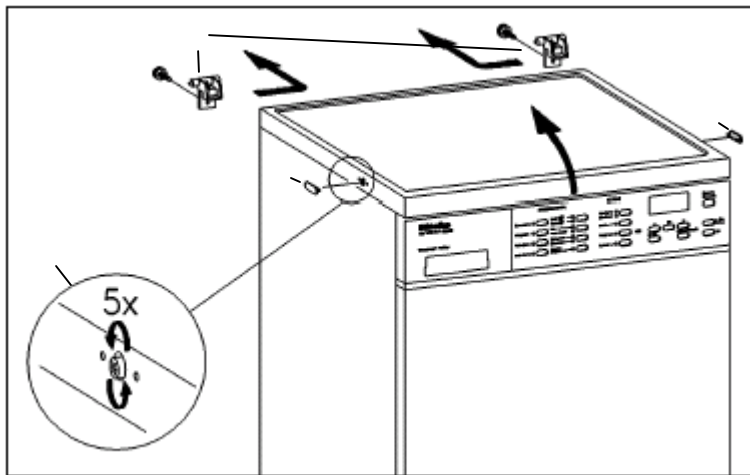
Installation and service should be by a Miele authorized service technician. Work by unqualified persons could be hazardous and may void the warranty.

Stacking Kit Shelf Removal (Fig. 1)

- Push the self in slightly to release.
- Pull the shelf out until it stops.
- Lift the shelf slightly; pull forward and tilt downward to remove.



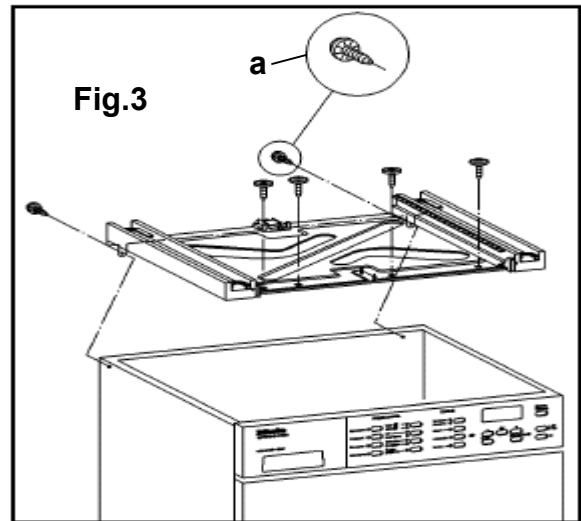
Washer Lid Removal (Fig. 2)



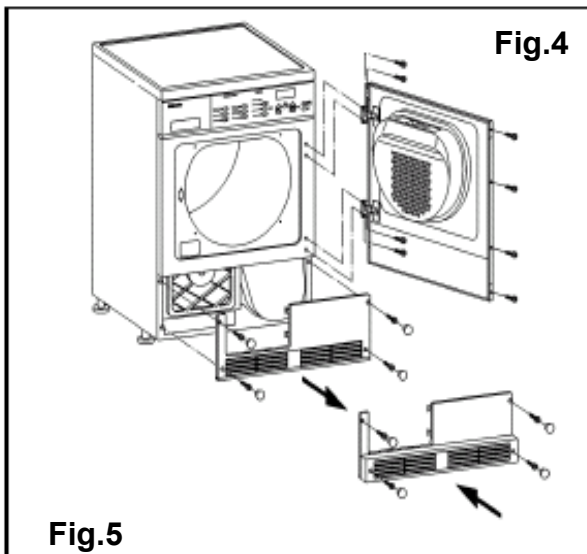
- Remove the 2 screw caps (a)
- Loosen the lid screws 5 turns. (b)
- Push lightly on the screws to release the retaining clips.
- Lift the front of the lid and slide it backwards to remove.
- Remove the 2 screws from the rear lid brackets (c)
- Slide the brackets to the side and remove.

Installing the Stacking Kit (Fig.3)

- After removing the washer lid, lay the stacking into position on top of the washer.
- Secure the stacking kit with the screws provided.
 - 2 screws with star washers in the rear (a)
 - 4 screws without star washers on top.



Dryer Grille Replacement (Fig. 4)



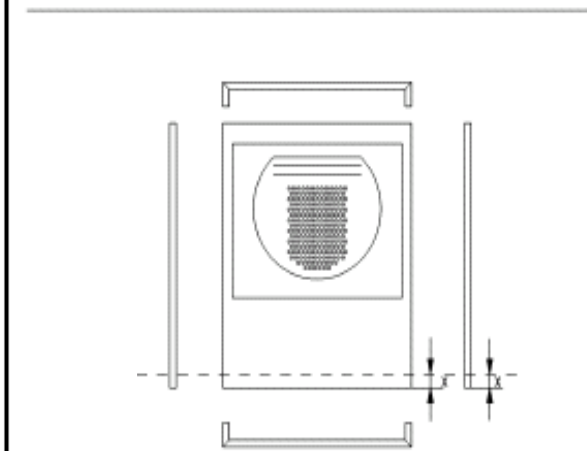
- While supporting the door, remove the hinge screws.
- Place the door to the side.
- Remove the screw caps from the dryer grille.
- Remove the screws and grille.
- Place the provided grille into position and secure with screws.
- Install the screw caps

Note

T1329C door panels must be trimmed when installing a stacking kit.

Custom panels must be 23 1/4" L X 23 1/4" H, when installing a stacking kit on a T1329C dryer.

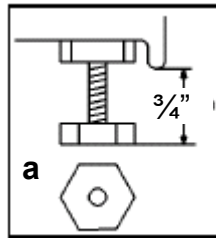
Trimming the Dryer Door Panel (Fig.5)



- Remove the trim frame from the dryer door.
- Using a fine bladed jigsaw, cut 1 13/16" from the bottom of the door.
- Using a hack saw, shorten the side trim by 1 13/16"
- Install the trim on the door.
- Install the door.

Dryer Installation (Fig. 6)

- Adjust the dryer feet to $\frac{3}{4}$ " as shown. (a)
- Make sure the flat side of foot pad faces forward. (a)
- Place the dry in the guides of the stacking kit and slide back into position.
- Install the retaining brackets and secure with the provided screws. (b)
- Install the end caps (c) and secure with screws.
- Reinstall the shelf.



Note
Use caution when lifting heavy objects

Fig. 6

