












Operating and Installation Instructions Refrigerator



To prevent accidents and damage to the appliance, you **must** read all instructions supplied before installing for using the appliance.

Contents

IMPORTANT SAFETY INSTRUCTIONS	4
Guide to the appliance	9
Optional accessories	12
How to save energy	13
Turning the appliance on and off	15
Operating the appliance	16
Turning the appliance on	16
Turning the appliance off	16
Turning off the appliance in Sabbath mode	16
Turning off for longer periods of time	17
The right temperature	18
. . . in the fridge section and in the PerfectFresh zone	18
Automatic cold air circulation (DynaCool)	18
Temperature display	18
Setting the temperature in the refrigerator	19
Adjusting the temperature in the PerfectFresh zone	20
SuperCool	21
Door alarm	22
Turning off the audio alarm	22
Selecting additional settings	23
Safety lock 	23
Temperature unit (Celsius or Fahrenheit)	24
Acoustic signals 	26
Display brightness 	27
Sabbath mode 	28
Storing food in the refrigerator section	30
Various cooling zones	30
Storing food in the PerfectFresh zone	32
Dry compartment 	33
Humidity controlled compartment  , 	33
Low humidity 	33
High humidity level  , 	33
Adjusting the interior fittings	35
Adjusting the door shelf / bottle shelf	35
Adjusting the bottle holder	35

Adjustable shelf / Adjustable shelf with lighting	35
Moving the shelf / Shelf with lighting	35
Adjusting the bottle rack	36
PerfectFresh drawers.	36
Automatic defrosting	38
Cleaning and Care	39
Before cleaning	40
Adjustable shelf / Adjustable shelf with lighting	41
Interior and accessories	42
Door seal	43
Ventilation slits	43
After cleaning.	44
Frequently asked questions	45
Noises	53
Service / Warranty	54
Warranty	54
Information for dealers/showrooms	55
Demo mode 	55
Caring for the environment	58
Electrical connection	59
Installation information	61
Side-by-side.	61
Location	61
Climate class	61
Ventilation	62
Ventilation slits	63
Before installation	64
Installation dimensions	65
Adjusting the door hinge	66
Changing the door hinging	67
Installing the appliance	71
Installing the custom door front	79
Contact details	87

IMPORTANT SAFETY INSTRUCTIONS

When using the appliance, follow basic safety precautions, including the following:

Read all instructions before installation and use to prevent accidents and machine damage.

This appliance conforms to current safety requirements. Inappropriate use can, however, lead to personal injury and damage to property.

They contain important notes on installation, safety, use and maintenance. Miele cannot be held liable for non-compliance with these instructions.

Keep these instructions in a safe place and pass them on to any future owner.

Correct use

▶ This appliance is intended for use in domestic households and similar working and residential environments. It is not intended for outdoor use.

▶ This appliance is intended for the cool storage of food and drink. Any other usage is not supported by the manufacturer and could be dangerous. The manufacturer cannot be held liable for damage resulting from incorrect or improper use or operation.

▶ This appliance is not suitable for storing and keeping cool medicines, blood plasma, laboratory preparations or other such materials or products. Incorrect use of the appliance for such purposes can cause deterioration of the items stored. The appliance is not suitable for use in areas where there is a risk of explosion.

Miele cannot be held liable for damage resulting from improper or incorrect use of the appliance.

▶ The appliance can only be used by people with reduced physical, sensory or mental capabilities, or lack of experience and knowledge if they are supervised whilst using it or have been shown how to use it in a safe way and recognize and understand the consequences of incorrect operation.

Safety with children

▶ Children should be supervised in the vicinity of the appliance.

▶ Children ages eight and up may only use the appliance oven without supervision if they have been shown how to use it in a safe manner, and if they are able to recognize and understand the potential risks of improper use.

▶ Children must not clean or service the appliance unless they are under supervision.

IMPORTANT SAFETY INSTRUCTIONS

▶ Children should be supervised when they are near the appliance. This appliance is not a toy! To avoid the risk of injury, do not allow children to play with it or to use the controls. They will not understand the potential dangers posed by it. They should be supervised whenever you are working in the kitchen.

▶ Ensure that any packing material is disposed of safely and kept out of the reach of children. Danger of suffocation!

Technical safety

▶ The coolant system is tested for leaks.

▶ This appliance contains the coolant isobutane (R600a), a natural gas which is environmentally friendly. Although it is flammable, it does not damage the ozone layer and does not increase the greenhouse effect.

The use of this coolant has, however, led to a slight increase in the noise level of the appliance. In addition to the noise of the compressor, you might be able to hear the coolant flowing around the system. This is unavoidable, and does not have any adverse effect on the performance of the appliance.

Care must be taken during the transportation and setting up of the appliance that no parts of the cooling system are damaged. Leaking refrigerant can damage the eyes. In the event of any damage:

- avoid open flames and anything that creates a spark,
- disconnect the appliance from the electrical power supply,
- air the room in which the appliance is located for several minutes
- call Miele Technical Service

▶ The more coolant there is in an appliance, the larger the room it should be installed in. In the event of a leakage, if the appliance is in a small room, there is the danger of combustible gases building up. For every 8 g of coolant at least 1 m³ of room space is required. The amount of coolant in the appliance is stated on the data plate inside the appliance.

▶ To avoid the risk of damage to the appliance, make sure that the connection data (fuse rating, frequency and voltage) on the data plate corresponds to the household supply. Check that this is the case before connecting the appliance. Consult a qualified electrician if in any doubt.

▶ Be certain your appliance is properly installed and grounded by a qualified technician. To guarantee the electrical safety of this appliance, continuity must exist between the appliance and an effective grounding system. It is imperative that this basic safety requirement be met. If there is any doubt, have the electrical system of the house checked by a qualified electrician.

IMPORTANT SAFETY INSTRUCTIONS

▶ If the power cord is damaged, it must be replaced by a Miele authorized technician in order to protect the user from harm.

▶ Do not connect the appliance to the electrical supply with a power bar or extension cord. These are a fire hazard and do not guarantee the required safety of the appliance.

▶ Do not use the appliance in areas where there may be moisture or splashing water (e.g. garages, laundry rooms, etc.). Moisture can reach the electrical components and cause a short circuit.

▶ This appliance is not to be used in non-stationary locations, such as ships.

▶ Do not use a damaged appliance. It could be dangerous. Check the appliance for visible signs of damage.

▶ To ensure safe operation, use the appliance only when it is installed.

▶ The appliance must be isolated from the electricity supply during installation, maintenance and repair work in the following circumstances:

- The circuit breakers on the electrical service panel are tripped.
- The screw-type fuses on the electrical service panel have been removed.
- The power cord has been unplugged. Pull on the plug and not on the cord when removing it from the outlet.

▶ Repairs should only be carried out by a qualified and trained person in strict accordance with local and national safety regulations. Unauthorized repairs could cause personal injury or machine damage and may void the warranty.

▶ Repairs and other work performed by unauthorized persons could be dangerous and may void the warranty.

▶ Defective components should only be replaced by Miele original parts. Only with these parts can the manufacturer guarantee the safety of the appliance.

Proper use

▶ The appliance is designed for use within a certain climate range (ambient temperatures), and should not be used outside this range. The climate range for your appliance is stated on the data plate inside the appliance.

Installing it in a room with too low an ambient temperature, e.g. a garage, will lead to the appliance turning off for longer periods so that it cannot maintain the required temperature.

▶ **WARNING!** Danger of damage from overheating. May restrict operation. Keep ventilation openings, in the appliance enclosure or in the built-in structure, clear of obstruction.

▶ If you store fatty or greasy foods in the appliance or the appliance door, make sure that no oil or grease leaks onto the plastic parts of the appliance. This can cause the plastic to crack and break.

IMPORTANT SAFETY INSTRUCTIONS

- ▶ Do not store explosive materials in the appliance or any products containing propellants (e.g., spray cans). Electrical components could cause flammable vapors to ignite. Danger of fire and explosion.
- ▶ Do not operate any electrical equipment (e.g. an electric ice cream maker) inside the appliance. Danger of sparking and explosion!
- ▶ When eating stored food, there is a danger of food poisoning. Storage times will depend on several factors, including the freshness and quality of the food, as well as the temperature at which it is stored. Observe the manufacturer's "use-by" dates and storage instructions.
- ▶ Use only genuine original Miele parts. If parts or accessories from other manufacturers are used, the warranty may become invalid.

Cleaning and care

- ▶ Do not use any oil or grease on the door seals. They can cause the seals to deteriorate over time.
- ▶ Never use a steam cleaner to clean the appliance. The steam can reach the electrical components and cause a short circuit.
- ▶ Never use a pointed or sharp-edged object to
 - remove frost or ice
 - separate frozen foods or remove ice traysThis will damage the evaporators, causing damage to the appliance.
- ▶ Do not place electric heaters or candles in the appliance to defrost it. These can damage the plastic parts.
- ▶ Do not use defrosting sprays or de-icers as they could contain substances which could damage the plastic parts or which might cause the build-up of gases and pose a danger to health.

IMPORTANT SAFETY INSTRUCTIONS

Transport

- ▶ Always transport the appliance in an upright position and in its original transport packaging to avoid damage in transit.
- ▶ The appliance is very heavy and must be transported by two people. Danger of injury and damage!

Disposal of your old appliance

- ▶ There is a risk of suffocation. Children playing can shut themselves in and suffocate.
 - Take the door(s) off.
 - Remove the drawers.
 - Leave the storage shelves in the appliance so that children cannot easily climb into the appliance.
- ▶ Danger of electric shock.
 - Cut off the plug from the power cord and discard.
 - Cut off the power cord from the discarded appliance. Dispose of separately from the appliance.
- ▶ Ensure during and after disposal that the appliance isn't stored in the vicinity of gasoline or other flammable vapors and liquids.

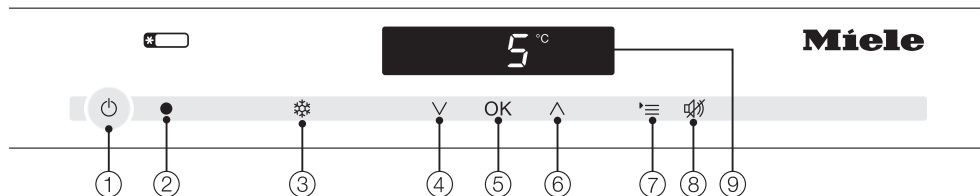
▶ When disposing of the appliance, ensure that the refrigeration circuit is not damaged to prevent uncontrolled escape of the refrigerant it contains (data on type plate) and oil.

- ▶ Take care not to damage any part of the cooling system, for example by
 - puncturing the coolant channels in the evaporator,
 - kinking any pipework,
 - scratching the surface coating.

Caution: Spraying coolant can damage the eyes.

**SAVE THESE
INSTRUCTIONS AND
PASS THEM ON TO ANY
FUTURE USER**









Control panel



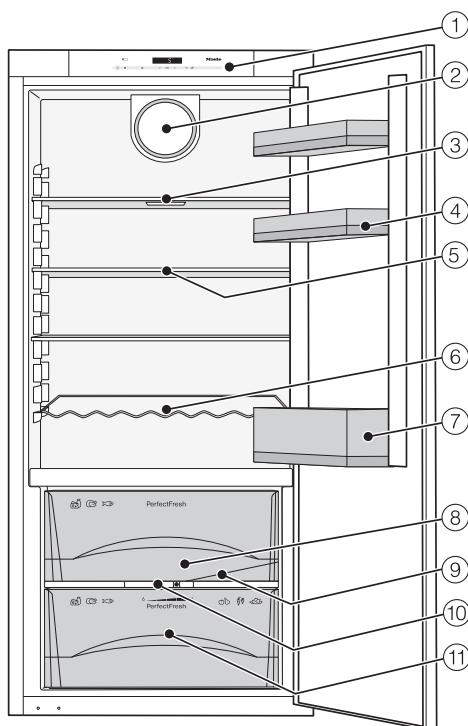
- ① For turning the entire appliance on and off.
- ② Optical interface (for Service use only)
- ③ On/Off button for the SuperCool functions
- ④ For setting the temperature (V for colder), selection button in settings mode
- ⑤ For confirming a selection (OK button)
- ⑥ For setting the temperature (^ for warmer), selection button in setting mode
- ⑦ For accessing or leaving settings mode
- ⑧ For turning the door alarm off
- ⑨ Display with temperature and symbols (symbols only visible in settings mode, in the event of an alarm/message; see table for explanation of symbols)

Guide to the appliance

Explanation of symbols

Symbol	Meaning	Function
	Safety lock	Prevents the user from unintentionally turning off the appliance, adjusting the temperature, turning on the SuperCool functions or entering settings.
	Acoustic signals	Selection options for the keypad tone and the door and temperature alarm tones
	Display brightness settings	For adjusting the brightness of the display
	PerfectFresh Temperature	Adjusting the temperature in the PerfectFresh Pro zone
	Sabbath mode	For turning Sabbath mode on and off
	Power supply	Confirms that the appliance is connected to the electricity supply when it is not turned on; flashes when there is a power cut
	Alarm	Illuminates when the door alarm is activated; flashes in case of a temperature alarm, power failure, and additional fault messages
	Demo Mode (only visible when Demo mode is active)	For turning off Demo mode

Guide to the appliance



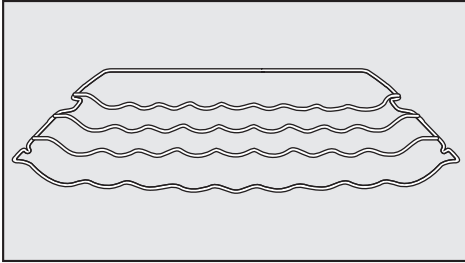
- ① Control panel
- ② Fan
- ③ Shelf with lighting (FlexiLight)
- ④ Egg tray / Door shelf
- ⑤ Shelf
- ⑥ Bottle rack
- ⑦ Bottle shelf
- ⑧ PerfectFresh Pro zone dry compartment
- ⑨ Condensate channel and drain hole
- ⑩ Moisture level control in the humidity-controlled compartment*
- ⑪ PerfectFresh zone humidity-controlled compartment*

* depending on model

Guide to the appliance

Optional accessories

Bottle rack



Bottles can be stored horizontally using the bottle rack to save space. The bottle rack can be placed at different positions in the appliance.

Stainless steel maintenance

- Each application of the Miele stainless steel conditioner forms a water and dirt repellent protective coating. It gently removes water marks, fingerprints and other dirt for a uniformly shiny surface.

Optional accessories are available from Miele, your Miele dealer or online.

How to save energy

	Normal energy consumption	Increased energy consumption
Installation / Maintenance	In a well-ventilated room.	In an enclosed, poorly ventilated room.
	Protected from direct sunlight.	In direct sunlight.
	Away from heat sources (radiator, range/oven).	Near a heat source (radiator, range/oven).
	Where the room temperature is ideal, i.e. around 68°F (20°C).	Where the room temperature is higher.
	Do not block the ventilation openings, and keep them free of dust.	Where the ventilation openings are blocked and full of dust.
Temperature setting	39 to 41°F (4 to 5°C) in the refrigerator section	With a low temperature setting: The lower the temperature in the appliance, the higher the energy consumption.
	PerfectFresh zone just above 32°F (0°C)	

How to save energy

	Normal energy consumption	Increased energy consumption
Use	The drawers and shelves are in the original arrangement.	
	Only open the doors when necessary and for as short a time as possible. Store food in an organized way.	Frequent opening of the door for long periods will cause a loss of coldness. The appliance works harder to cool down and the compressor runs for longer periods.
	When shopping, use a cooler box or bag and place the food in the appliance as soon as possible. Replace items removed from the appliance as soon as possible before they warm up. Allow hot food and drinks to cool down before placing them in the appliance.	Hot food or food at room temperature raises the temperature inside the appliance. The appliance works harder to cool down and the compressor runs for longer periods.
	Store food covered or wrapped.	The evaporation or condensation of liquids in the refrigerator section lower the cooling capacity.
	Place frozen food in the refrigerator to defrost.	
	Do not overfill the appliance in order to allow the air to circulate.	

Turning the appliance on and off

Before first use

Packaging material

- Remove all packaging material from the inside of the appliance.

Protective film

The stainless steel trim and panels are covered with a film to protect them during transportation.

- Remove this protective film after the appliance has been installed.

Cleaning and care

It is essential to follow the relevant instructions in "Cleaning and care."

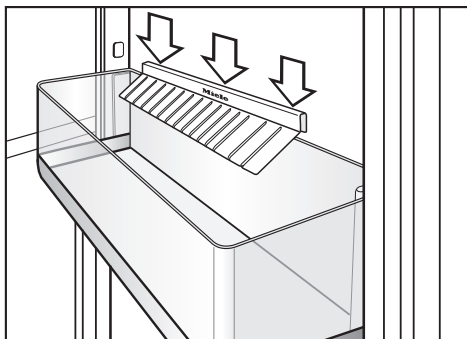
- Immediately after pulling the film off, wipe the stainless steel surfaces with the Miele stainless steel care product provided.

Important! Each application of a stainless steel conditioner forms a durable protective film that is stain and water resistant.

- Clean the inside of the appliance and the accessories.

Accessory - bottle holder

The fins of the bottle holder jut out into the bottle shelf and make bottles more secure when opening and closing the appliance door.



- Attach the bottle holder centrally along the rear edge of the bottle shelf.


Turning the appliance on and off

Operating the appliance

The appliance is operated with the use of touch keys activated by a finger.


A tone will sound each time a button is touched. You can deactivate this, if you wish (see "Selecting additional settings - Acoustic signals").

Turning the appliance on

Once the appliance has been connected to the electrical supply, the electrical connection symbol  will appear in the display after a short while.



- Touch the On/Off button.

The temperature display disappears and the power supply symbol  lights up.

The appliance begins to cool. When the refrigerator door is opened, the interior lighting comes on and the LED lighting on the adjustable shelves becomes brighter until it reaches its maximum brightness.


To enable the temperature to get sufficiently cold inside the appliance, allow the appliance to run for a few hours before placing food in it.

Turning the appliance off



- Touch the On/Off button.

If this does not work, the safety lock is activated.

The temperature will go out and the power supply symbol  will appear.


The interior lighting goes out and the cooling is turned off.

Turning off the appliance in Sabbath mode

The appliance can be turned off directly at any time.



- Touch the On/Off button.

The temperature will go out and the power supply symbol  will appear.

The interior lighting goes out and the cooling is turned off.

When the appliance is turned back on again, Sabbath mode is deactivated.

Turning off for longer periods of time

If the appliance is not needed for a longer period of time:

- turn the appliance off,
- unplug the power cord or trip the circuit breaker,
- clean the appliance,
- leave the door slightly ajar to air out the appliance.

If, during a long absence, the appliance is turned off but not cleaned out and the door is left shut, there is a danger of bacteria and odors building up inside the appliance.

The right temperature

It is very important to set the correct temperature for storing food in the appliance. Microorganisms will cause food which is not stored at the correct temperature to spoil rapidly.

Temperature influences the growth rate of these microorganisms. Reducing the temperature reduces their growth rate.

The temperature in the appliance will rise for the following reasons:

- if you open the door frequently or keep it open too long,
- the more food that is stored in it
- if you put food in it that is too warm
- if the room temperature is too high. The appliance is designed for use within a certain climate range (room temperature range) and should not be used outside this range

... in the fridge section and in the PerfectFresh zone

We recommend a temperature of **39°F (4°C)** in the refrigerator section.

The temperature in the PerfectFresh zone is controlled automatically, and is maintained at **32°F to 37°F (0°C to 3°C)**.

Automatic cold air circulation (DynaCool)

The fan automatically turns on when the cooling system for the refrigerator section turns on. It distributes the temperature in the appliance to all areas more evenly so that all the food will be chilled to about the same degree.

Temperature display

In normal operation the temperature display shows the **current average refrigerator temperature**.

Depending on the ambient temperature and the temperature setting, it can take the appliance a few hours to reach the temperature required and for this temperature to then be shown as a constant temperature in the display.

Setting the temperature in the refrigerator

- Use the two buttons underneath the display to set the temperature.

By touching the button:



- the temperature will get colder



- the temperature will get warmer

While the temperature is being set, the temperature value will flash.

When you touch the buttons, you will see the following changes in the display:

- When first touched: The **last temperature selected** flashes.
- Each subsequent touch of the button:
The temperature value adjusts in 1° steps.
- Keeping your finger on the button:
The temperature changes continuously.

Approximately 5 seconds after you release the button, the **actual** temperature value in the appliance will be displayed.

or

- Touch the OK button to confirm your selection.

When you have adjusted the temperature, wait for **approx. 6 hours if the appliance is not very full** and for **approx. 24 hours if the appliance is full** before checking the temperature display, as it will take this long for the appliance to reach the temperature.

If, after this amount of time, the temperature is too high or too low, adjust it again.

Possible setting values for the temperature

The temperature can be adjusted from 37.4°F to 48°F (3°C to 9°C).

The right temperature

Adjusting the temperature in the PerfectFresh zone


In the PerfectFresh zone the temperature is maintained between 32°F (0°C) and 37°F (3°C). However, if you would like it to be warmer or colder, e.g. when storing fish, you can adjust the temperature slightly.

The preset temperature in the PerfectFresh zone is 5. If a setting of between 1 and 4 is selected, minus temperatures may be reached, thus resulting in food freezing.


Adjusting the temperature



- Touch the settings button.

All symbols available for selection will appear in the display and the  symbol flashes.



- Touch the buttons for setting the temperature (∨ or ∧) repeatedly until the  symbol flashes in the display.



- Touch the OK button to confirm your selection.


The last selected setting flashes in the display and the  lights up.



- You can now adjust the temperature in the PerfectFresh zone by touching the ∨ or ∧ button. You can choose from settings 1 to 9:
1: lowest temperature
9: highest temperature



- Touch the OK button to confirm your selection.

The selected setting will be adopted and the  symbol will flash.



- Touch the settings button to leave the settings mode. Otherwise the appliance will exit the settings mode automatically after approximately one minute.

The newly set temperature for the PerfectFresh zone will gradually be reached.

The SuperCool function in the refrigerator

The SuperCool function can be used to rapidly reduce the temperature in the refrigerator section to its lowest setting (depending on the room temperature).

Turning on SuperCool

SuperCool is particularly recommended for the fast chilling of large amounts of fresh food or drink.



- Touch the SuperCool button so that it is highlighted yellow.

The temperature in the appliance now begins to fall since it is operating at maximum cooling capacity.

Turning off SuperCool

The SuperCool function turns off automatically after approx. 12 hours. The appliance then operates at normal cooling capacity.

To save energy, the SuperCool function can be turned off once food and drinks are sufficiently chilled.




- Touch the SuperCool button so that it is no longer highlighted yellow.


The appliance now continues running at normal cooling capacity.

Door alarm

The appliance is fitted with a warning system to avoid increased energy consumption and food becoming warm if the door is left open.

An alarm will sound if the door is left open for too long. The alarm symbol  will light up.

The amount of time until the door alarm is triggered depends on the setting selected and can be either 2 minutes (factory default) or 4 minutes. However, the door alarm can also be turned off (see "Additional settings - Acoustic signals").

As soon as the door is closed, the audio alarm is silenced and the alarm symbol  will disappear from the display.

If no audio alarm sounds even though a door alarm is available, then the audio alarm has been turned off in settings mode (see "Additional settings - Acoustic signals").


Turning off the audio alarm

If the audio alarm bothers you, it can be silenced.




- Touch the button to turn off the door alarm.

The audio alarm will stop.


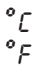




The alarm symbol  will continue to be displayed until the door is closed.

Selecting additional settings

Certain appliance settings can only be selected in the settings mode.

While you are in settings mode, the door alarm and any other fault messages are suppressed automatically, but the alarm symbol  lights up in the display.

Available settings

	Activating and deactivating the safety lock
	Select the temperature unit (Celsius or Fahrenheit)
	Turning acoustic signals On/Off
	Changing the brightness of the display
	Adjusting the temperature in the PerfectFresh zone
	Turning Sabbath mode On/Off

Adjusting the **temperature in the PerfectFresh zone** is described in "The correct temperature."

All other setting options are described below.

Safety lock

The safety lock can be activated to prevent:


- the appliance being turned off by mistake
- the temperature being changed by mistake
- selection of Supercool
- settings being adjusted by mistake (it is only possible to deactivate the lock)

This prevents the appliance being turned off or settings adjusted without your knowledge, by children, for example.

Activating and deactivating the safety lock




- Touch the settings button.

All symbols available for selection will appear in the display and the  symbol flashes.



- Touch the OK button to confirm your selection.

The last selected setting flashes in the display and the  lights up.

Selecting additional settings



- By touching the \checkmark or \wedge button, you can now select whether the safety lock is activated or deactivated:
 D : the safety lock is deactivated
 I : the safety lock is activated



- Touch the OK button to confirm your selection.

The selected setting will be adopted and the D symbol will flash.



- Touch the settings button to leave the settings mode. Otherwise the appliance will exit the settings mode automatically after approximately one minute.

The D symbol will appear in the display when the safety lock is activated.

Temperature unit (Celsius or Fahrenheit)

The temperature can be displayed in either Fahrenheit $^{\circ}\text{F}$ or Celsius $^{\circ}\text{C}$.

The factory default is Fahrenheit $^{\circ}\text{F}$.

Setting the temperature display to Celsius



- Touch the settings button.

All symbols available for selection will appear in the display and the D symbol flashes.



- Touch the buttons for setting the temperature (\checkmark or \wedge) repeatedly until $^{\circ}\text{C}$ and $^{\circ}\text{F}$ flash in the display.



- Touch the OK button to confirm your selection.
 $^{\circ}\text{F}$ flashes in the display.

Selecting additional settings



- By tapping the \checkmark or \wedge button you can now select $^{\circ}\text{C}$.



- Touch the OK button to confirm your selection.

The selected setting will be adopted.


- Touch the settings button to leave the settings mode. Otherwise the appliance will exit the settings mode automatically after approximately one minute.

The temperature will now be displayed in Celsius.

Setting the temperature display to Fahrenheit



- Touch the settings button.

All symbols available for selection will appear in the display and the  symbol flashes.



- Touch the buttons for setting the temperature (\checkmark or \wedge) repeatedly until $^{\circ}\text{C}$ and $^{\circ}\text{F}$ flash in the display.



- Touch the OK button to confirm your selection.

$^{\circ}\text{C}$ flashes in the display.



- By tapping the \checkmark or \wedge button you can now select $^{\circ}\text{F}$.



- Touch the OK button to confirm your selection.

The selected setting will be adopted.

- Touch the settings button to leave the settings mode. Otherwise the appliance will exit the settings mode automatically after approximately one minute.

The temperature will now be displayed in Fahrenheit.

Selecting additional settings

Acoustic signals

The appliance has acoustic signals such as the button tone and the door and temperature alarms.

The keypad tone and door alarm warning tone can be turned on or off, but the temperature alarm cannot be turned off.

There are four settings to choose from. Option 3 is set the factory, i.e. the button tone and the door alarm are turned on.



- By touching the \checkmark or \wedge button you can now select:

0: button tone off; door alarm off

1: button tone off; door alarm on
(after 4 minutes)


2: button tone off; door alarm on
(after 2 minutes)

3: button tone on; door alarm on
(after 2 minutes)


Turning acoustic signals On/Off



- Touch the settings button.


All symbols available for selection will appear in the display and the  symbol flashes.



- Touch the buttons for setting the temperature (\checkmark or \wedge) repeatedly until the  symbol flashes in the display.




- Touch the OK button to confirm your selection.

The last selected setting flashes in the display and the  lights up.



- Touch the OK button to confirm your selection.

The selected setting will be adopted and the  symbol will flash.



- Touch the settings button to leave the settings mode.

Otherwise the appliance will exit the settings mode automatically after approximately one minute.

Selecting additional settings

Display brightness ☀


You can adjust the brightness of the display to suit the light conditions in the room.

The display brightness can be changed in increments from 1 to 3. The factory default setting is option 3, maximum brightness.


Changing the brightness of the display



- Touch the settings button.

All symbols available for selection will appear in the display and the  symbol flashes.



- Touch the buttons for setting the temperature (V or ^) repeatedly until the  symbol flashes in the display.



- Touch the OK button to confirm your selection.

The last selected setting flashes in the display and the ☀ lights up.



- By touching the V or ^ button, you can now alter the brightness of the display:

1: dimmest setting

2: medium setting

3: brightest setting.



- Touch the OK button to confirm your selection.

The selected setting will be adopted and the ☀ symbol will flash.



- Touch the settings button to leave the settings mode.

Otherwise the appliance will exit the settings mode automatically after approximately one minute.

Selecting additional settings

Sabbath mode

The appliance offers a Sabbath mode for the purposes of religious observance.

The following are turned off:

- the interior lighting when the door is opened,
- all acoustic and optical signals,
- the temperature display,
- SuperCool (if previously turned on).

The following can be selected:

- the settings button for turning off Sabbath mode, and
- the On/Off button.

The Sabbath mode function automatically switches off after 120 hours.


Since the audio and visual warnings are turned off, make sure the doors are closed properly.

There is no warning if a power supply failure occurs. After a power supply failure the appliance will come back on in Sabbath mode.


Turning on Sabbath mode



- Touch the settings button.


All symbols available for selection will appear in the display and the  symbol flashes.



- Touch the buttons for setting the temperature (∨ or ∧) repeatedly until the  symbol flashes in the display.



- Touch the OK button to confirm your selection.


The last selected setting flashes in the display and the  lights up.




- By touching the ∨ or ∧ button, you can now turn on Sabbath mode. To do this, select setting 1.



- Touch the OK button to confirm your selection.

The selected setting is applied, the  symbol lights up.

As soon as the  symbol goes out in the display after about 3 seconds, Sabbath mode is turned on.

- Turn off Sabbath mode after the Sabbath has passed.

Turning off Sabbath mode



- Touch the settings button to leave Sabbath mode.

The temperature will appear in the display and the interior lighting will come on.

Storing food in the refrigerator section

Various cooling zones

Due to the natural circulation of the air in the appliance, there are different temperature zones in the refrigerator section. Cold, heavy air sinks to the lowest section of the appliance. Make use of the different zones when placing food in the appliance.

This appliance has DynamicCooling, which helps to keep an even temperature when the fan is running. When DynamicCooling is turned on, the difference between the various zones is less pronounced.

Warmest area

The warmest area in the refrigerator section is in the top section of the door. Use this for storing butter so that it remains spreadable and cheese so that it retains its flavor.

Coldest area

The coldest area in the refrigerator section is directly above the dividing plate of the PerfectFresh zone and against the rear wall. However, inside the PerfectFresh zone is even colder.

Use these areas in the refrigerator section and in the PerfectFresh zone for all delicate and highly perishable food, e.g.:

- fish, meat, poultry,
- cold cuts, ready-made meals,
- dishes or baked goods containing eggs or cream,
- fresh doughs,
- pre-packed vegetables and other fresh food whose best-before date requires storage at a temperature of at least 39°F (4°C).

Storing food in the refrigerator section

WARNING!

Danger of fire

Do not use electrical appliances inside the food storage compartments of the appliance, unless they are of the type recommended by the manufacturer.

Do not store explosive materials in the appliance or any products containing propellants (e.g. spray cans). Danger of explosion!

If storing fatty or greasy foods in the appliance or the appliance door, make sure that no oil or grease leaks onto the plastic parts of the appliance. This can cause the plastic to crack and break.

Food must not touch the back wall of the appliance, as it may freeze to wall.

To allow air to circulate efficiently, do not pack food too closely together in the refrigerator.

Make sure that the fan at the back of the appliance is not covered. This is important for the refrigerator's cooling capacity.

Storing food in the PerfectFresh zone

Due to the optimum storage conditions in the PerfectFresh zone for fruit, vegetables, fish, meat and dairy products, food remains fresh for longer, and flavor and vitamins are retained.

The optimum storage temperature for fresh food which is not sensitive to the cold is 32-37°F (0-3 °C). This is the temperature range which is automatically maintained in the PerfectFresh zone. Food which is not sensitive to cold can be stored in the PerfectFresh zone at this temperature without loss of freshness for considerably longer than in a standard refrigerator, as the deterioration process is decelerated at this temperature.

The humidity level in the PerfectFresh zone can also be regulated to provide the correct conditions for food stored inside it. An increase in the humidity level ensures that food retains its own moisture and does not dry out so quickly. Therefore, such food will remain firm and fresh for longer.

Food should be in good condition from the start to get good storage results.

Take food out of the PerfectFresh zone approx. 30 - 60 minutes before using it. The aroma and flavor do not fully develop until the food has reached room temperature.

The PerfectFresh zone is divided into two compartments:

- The upper **dry compartment** has a temperature of between 32-37°F (0-3°C).
The humidity level in this compartment is not increased ♠. In this compartment you should store fish, meat, dairy products and any other type of food as long as it is packaged.
- The lower **humidity controlled compartment** (in different numbers depending on model) has a temperature of between 32-37°F (0-3 °C). The humidity level can be kept low ♠ or high ♠♠, depending on the position of the slide control. If the humidity is increased in this compartment, fruit and vegetables should be stored inside it.

Storing food in the PerfectFresh zone

Dry compartment 🍷

The dry compartment is suitable for storing perishable foods such as:

- fresh fish, shellfish,
- meat, poultry, sausage,
- salads,
- dairy products such as yogurt, cheese, cream, etc.
- any type of food can in fact be stored in this compartment, as long as it is packaged.

The low temperature in the dry compartment is its most distinctive feature. The humidity level is similar to that in a conventional refrigerator.

Please note that foods rich in protein deteriorate faster than others.

Always keep these foods **covered or wrapped**.

Humidity controlled compartment 🍷, 🍷🍷

The humidity controlled compartment has a slide control which is used to regulate the moisture in this compartment.

To do this, set the slide control to either 🍷 or 🍷🍷.

Low humidity 🍷

When this setting (🍷) is used, the humidity-controlled compartment becomes a dry compartment. The slide control opens the narrow openings in the compartment so that moisture is able to escape (see "Dry compartment 🍷").

High humidity level 🍷🍷

On this setting 🍷🍷, the humidity controlled compartment is suitable for storing fruit and vegetables.

The slide control closes the openings in the compartment so that the moisture is retained within it.

The humidity level in the humidity-controlled compartment is determined by the type and quantity of food when it is not packaged.

If the quantity of food being stored in this compartment is small, the humidity level may be low.

Tip: Store small quantities of food in air-tight packaging.

If the humidity level in the humidity controlled compartment is high, condensate may build up. This can be removed with a cloth.

Storing food in the PerfectFresh zone

If you are not satisfied with your stored food (for example the food wilts or becomes withered after only a short storage time), check the following:

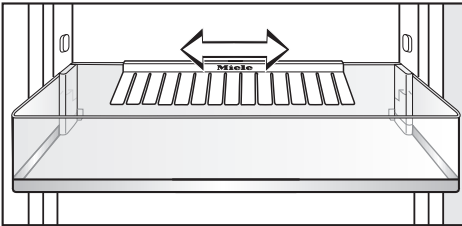
- Only place fresh food in the appliance.
- Clean the PerfectFresh compartments before storing food in them.
- Very wet food should be dried off before storing it.
- Do not store any food in the PerfectFresh zone which is sensitive to cold (see "Food which should not be stored in a refrigerator").
- For the type of food being stored, select the correct PerfectFresh compartment and the appropriate position of the slide control for the humidity controlled compartment (low or high humidity).
- An increased humidity level (💧💧) in the humidity controlled compartment is achieved through the moisture contained within the food being stored, i.e., the more food, the more moisture there is. If too much moisture collects on the floor of the compartment and this is affecting the food, remove the condensate with a cloth. If the humidity level becomes too low, wrap the food in air-tight packaging.
- If you think that the temperature in the PerfectFresh zone is not correct, try adjusting it slightly by 34-35°F (1-2 °C) via the refrigerator section temperature control. To avoid frost damage to food, a higher temperature must be set if ice crystals begin to form on the bottom of the PerfectFresh zone.

Adjusting the interior fittings

Adjusting the door shelf / bottle shelf

- Lift up the door shelf / bottle shelf and pull it forward to remove it.
- Place the door shelf / bottle shelf at any position again. Make sure that it is properly and secure pushed back into position.

Adjusting the bottle holder



The bottle holder can be moved left or right, thus creating more room for drink cartons.

The bottle holder can be removed completely, e.g. for cleaning:

- Lift up the bottle shelf and pull it forward to remove it.
- Detach the bottle holder from the back edge of the bottle shelf.

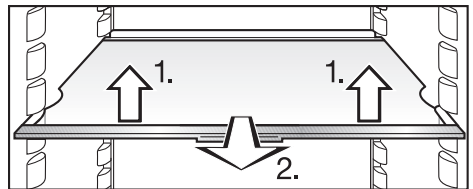
Adjustable shelf / Adjustable shelf with lighting

The LED lighting is located on the stainless steel trim of the shelf. By adjusting the position of the shelf in the refrigerator section, you can change the illumination in this section according to your needs.

If the lighting does not work, check that the shelf is correctly positioned in the shelf supports: The shelf has metal discs (contacts) on the front left corner to enable electricity to be supplied to the LED lighting. When inserting the shelf, ensure the contacts click into position in the shelf support.

Moving the shelf / Shelf with lighting

The shelves can be adjusted according to the height of the food.



- Lift the shelf at the front, pull it forwards slightly, lift the recess over the shelf supports and move the shelf up or down.

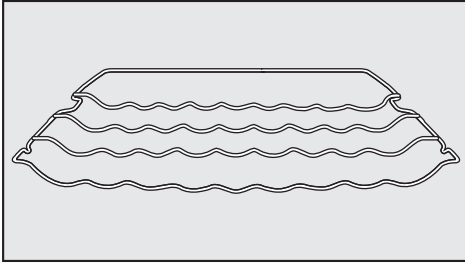
Adjusting the interior fittings

The edge of shelf's rear stop must face upwards so that food does not touch the rear wall and freeze to it.

Stops prevent the shelves from being pulled out accidentally.

Adjusting the bottle rack

The bottle rack can be placed on different levels in the appliance.



- Raise the rack, and pull it forwards slightly until the notch at the side is in line with the shelf support. It can then be raised or lowered to the required level.

The rear stopping bar must be raised to prevent the bottles touching the rear wall.

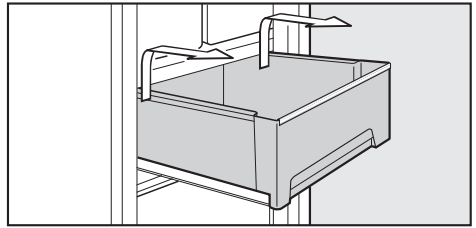
The bottle rack has stoppers at the sides to prevent the rack being pulled out unintentionally.

PerfectFresh drawers

The drawers in the PerfectFresh zone are on telescopic rails, and can be removed for filling, emptying or cleaning purposes:

To make it easier to pull out the drawers, remove the bottle shelf from the appliance door.

- Pull the drawer out as far as it will go.



- Hold the drawer at the sides towards the back, lift it slightly and then pull it out.

Push the runners back in again to avoid damaging them.

- Carefully pull out the lid between the drawers slightly, and lift it down and out.

Take care when cleaning the appliance that you do not wash the special lubricant out of the telescopic runners. Wipe them with a damp cloth.

- To refit the drawer, insert the drawer lid from beneath into the holders, and push it back into place.

To replace the drawer

- Place the drawer on the fully extended telescopic runners.
- Push the drawer in until it clicks into place.

Automatic defrosting

WARNING! Risk of injury and damage.
Do not use mechanical devices or other means to accelerate the defrosting process, other than those recommended by the manufacturer.

The refrigerator defrosts automatically.

Condensate and frost can build up on the back wall of the refrigerator when the compressor is running. There is no need to remove it, since it will evaporate automatically with the warmth generated by the compressor.

The condensate is drained away through a channel and drain hole, then fed into an evaporation system at the back of the appliance.

It is important to keep the condensate channel and drain hole clean and free of blockages so that the condensate can flow away properly.

WARNING!

Danger of electric shock.
Unplug refrigerator or disconnect power.

Danger of fire.
Do not damage the refrigerant circuit.

Do not let water get into the electronic unit or the lighting, or on the metal discs (contacts) in the left-hand shelf support.

Cleaning water must not get into the drain hole.

Do not use a steam cleaning apparatus to clean the appliance. Steam could reach the electrical components and cause a short circuit.

The data plate located inside the appliance must not be removed. It contains information which is required in the event of a service call.

Information regarding cleaning agents

To better maintain your appliance **avoid** the following:

- cleaning products containing soda, ammonia, acid or chloride
- lime removers
- abrasive cleaning products, such as scouring powder, scouring liquid, or pumice stones
- cleaners containing solvents
- stainless steel cleaners
- dishwasher detergent
- oven sprays
- hard, abrasive sponges and brushes, such as pot scrubbers
- eraser sponges
- sharp metal scrapers

Glass cleaners may be used to clean the exterior. However **do not** allow them to sit or "puddle", this can cause damage to the surface.
Remove the cleaner promptly.

Cleaning and Care

To clean stainless steel surfaces on the appliance, use the Original Miele care product for stainless steel (see "Guide to the appliance - Optional accessories").

This product contains substances that are gentle to stainless steel surfaces and, unlike stainless steel cleaners, it does not contain polishing agents. Soiling is gently removed and each time the Original Miele Care product for stainless steel is used, it forms a protective film against dirt and water.

Cleaning and conditioning agents used inside the appliance must be food safe.

Use warm water and liquid dish soap.

The following pages contain important information on cleaning.

Before cleaning

- Turn off the appliance.

The display goes out and cooling is turned off.

If this does not happen, then the safety lock is still activated (see "Selecting additional settings - Activating/deactivating the lock").

- Unplug the appliance or trip the circuit breaker.
- Take any food out of the appliance and store it in a cool place.
- Remove the door shelf/bottle shelf from the door.
- Remove the PerfectFresh zone drawers and the respective lid (see "Adjusting the interior fittings - PerfectFresh zone drawers").
- Remove the glass plate from the divider panel.
- Take all removable parts out for cleaning.

Adjustable shelf / Adjustable shelf with lighting

The stainless steel strip with LED lighting and the stainless steel strips on the shelves are **not** dishwasher-safe.

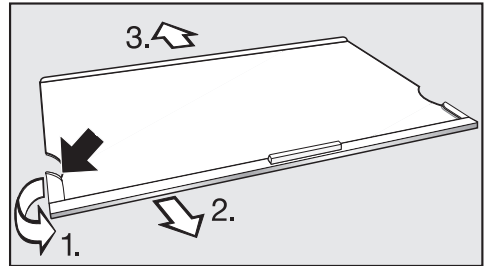
The stainless steel strip with LED lighting on the shelf must not be immersed in water.

Proceed as follows to remove the stainless steel strip with LED lighting or the stainless steel strip and rear protective strip:

- Place the shelf on a soft surface (e.g. towel) with the top side facing downwards.

Stainless steel strip with LED lighting

Attention! Always loosen the side **without** the contacts (metal discs) for the LED lighting first.



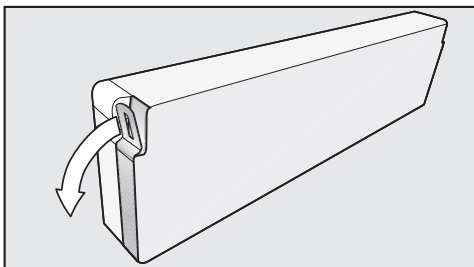
- Take hold of the plastic edging on the left-hand side of the stainless steel strip.
 1. Remove the plastic edging from the adjustable shelf, and 2. Remove the strip at the same time. The opposite side will now also be detached.
- 3. Remove the protective strip at the back.
- After cleaning, reattach the stainless steel strip and the protective strip in reverse order.

Cleaning and Care

Door shelves and bottle shelves

The stainless steel fascia panels on the door shelves and bottle shelves are **not** dishwasher-safe.

To remove the stainless steel plinths, proceed as follows:



- Place the door/bottle shelf with the front side on the work surface.
- Remove one end of the plinth and pull it off the shelf. Then remove the entire stainless steel plinth from the shelf.
- After cleaning, reattach the stainless steel plinth to the shelf in reverse order.

Interior and accessories

Clean the appliance at least once a month.

Remove any soiling immediately so that it does not dry up.

- Clean the interior with lukewarm water and a little dishwashing liquid applied with a soft sponge. After cleaning, wipe with a clean, damp cloth and then dry with a soft cloth.

The following accessories are **dishwasher-safe**:

- bottle holder, butter dish, egg tray (depending on model)
- bottle shelf and door shelf on the inside of the door (without stainless steel plinth)
- shelves (without stainless steel strips with LED lighting / stainless steel strips and protective strips)

The maximum temperature of the dishwashing program selected must not exceed 130°F (55°C). Contact with natural dyes from carrots, tomatoes and ketchup may discolor the plastic parts in the dishwasher. This discoloring does not affect the stability of the parts.

The following accessories are **not dishwasher-safe**:

- the stainless steel plinths on the door shelf / bottle shelf
 - the stainless steel strips with LED lighting / stainless steel strips and protective strips on the shelves
 - the bottle rack
 - PerfectFresh zone drawers with the respective drawer lids
- Clean these parts by hand.
 - Clean the condensate channel and drain opening more frequently using a cotton swab, or similar, so that condensate can drain away unobstructed.

To do this, remove the PerfectFresh zone drawers.

- The PerfectFresh zone drawers sit upon telescopic runners. Clean these telescopic runners with a damp cloth.

Be careful not to wash out the special lubricant in the telescopic runners during cleaning.

- Remove any soiling on stainless steel strips and plinths with the Miele care product for stainless steel.
- Always wipe these surfaces with a stainless steel conditioner immediately after each cleaning. This protects the stainless steel surfaces and prevents resoiling.
- Leave the door open to air the appliance for a short while.

Door seal

Do not use any grease or oil on the door seal as these will cause the seal to deteriorate and become porous over time.

- The door seal should be cleaned regularly with clean water and then wiped thoroughly dry with a soft cloth.

Ventilation slits

- The ventilation slits should be cleaned on a regular basis with a brush or vacuum cleaner. A build-up of dust will increase the energy consumption of the appliance.

Cleaning and Care

After cleaning

- Put all shelves and accessories back into the appliance.

The left-hand support ribs for the adjustable shelves have metal discs (contacts) inside the receiving gaps to supply the LED lighting with electricity.

Ensure these contacts are clean and dry before inserting the adjustable shelf with lighting.

Push in the shelf until it audibly locks into place. Only in this way can the lighting work.

- Connect the appliance again and turn it on.
- Turn on the SuperCool function in the refrigerator so it can cool down quickly.
- Place the food back in the appliance and close the door.




Frequently asked questions

With the aid of the following guide minor problems can be corrected without a service call.

If, having followed the suggestions below, you still cannot resolve the problem, please contact Miele Technical Service.

To prevent cold from escaping, open the appliance doors as little as possible until the malfunction has been corrected.

Repairs should only be carried out by a qualified and trained person in strict accordance with local and national safety regulations. Unauthorized repairs could cause personal injury or machine damage and may void the warranty.

Problem	Possible cause	Solution
<p>The appliance does not get cold, the interior lightning does not come on when the door opens, and the display is dark.</p>	<p>The appliance is not turned on and the power supply symbol  is lit up in the display.</p>	<ul style="list-style-type: none"> ■ Touch the On/Off button.
	<p>The plug is not properly plugged into the electrical outlet.</p>	<ul style="list-style-type: none"> ■ Insert the plug correctly into the socket. The power supply symbol  appears in the display when the appliance is turned off.
	<p>Check whether the fuse has tripped. There could be a fault with the appliance, the household electrical wiring or another electrical appliance.</p>	<ul style="list-style-type: none"> ■ Contact a qualified electrician or Miele Technical Service for assistance.
<p>The appliance does not get cold, although the controls and the interior lighting are working.</p>	<p>Demo mode is turned on and the  symbol lights up in the display. This allows the appliance to be presented in the showroom without the cooling system being turned on. Do not activate this setting for domestic use!</p>	<ul style="list-style-type: none"> ■ Turn off Demo mode (see "Information for dealers - Demo mode").

Frequently asked questions

The compressor runs more and more often and for longer periods of time, and the temperature in the appliance drops.		
Problem	Possible cause	Solution
The temperature in the appliance is too low.	The temperature setting is too low.	<ul style="list-style-type: none"> ■ Correct the temperature setting.
	The door is not properly closed.	<ul style="list-style-type: none"> ■ Check why the appliance door is not closing properly.
	The SuperCool function for the refrigerator is still turned on. It will turn itself off automatically after approx. 12 hours.	<p>To save energy, you can turn SuperCool off yourself.</p> <ul style="list-style-type: none"> ■ Press the SuperCool button.
The compressor runs continuously.	To save energy, the compressor runs at a lower speed, but for longer, when less cooling is required. In this way, the running time of the compressor is extended.	None

Frequently asked questions

The compressor runs more and more often and for longer periods of time, and the temperature in the appliance drops.

Problem	Possible cause	Solution
The compressor is turning on more frequently and for longer periods.	The ventilation slits in the cabinetry have been covered or become too dusty.	<ul style="list-style-type: none">■ Do not block the ventilation slits.■ Clean the ventilation slits on a regular basis.
	The door has been opened too frequently, or a large amount of food has just been put in at once.	<ul style="list-style-type: none">■ Only open the door when necessary and for as short a time as possible. After a while the temperature will return to normal by itself.
	The room is too warm. The higher the room temperature, the longer the compressor has to run.	<ul style="list-style-type: none">■ See "Installation location".
	The appliance was not properly installed in the niche.	<ul style="list-style-type: none">■ See "Installation" and "Installing the appliance".

Frequently asked questions

The compressor comes on less and less often and for shorter periods of time, the temperature in the appliance rises.

Problem	Possible cause	Solution
The temperature in the appliance is too high.	This is not a fault.	<ul style="list-style-type: none">■ Correct the temperature setting.■ Check the temperature again after 24 hours.

Indication in the display

Problem	Possible cause	Solution
"F0 to F9" appears in the display.	There is a fault.	<ul style="list-style-type: none">■ Contact Miele Technical Service.

Frequently asked questions

Interior lighting		
Problem	Possible cause	Solution
The LED lighting on one of the shelves does not work.	The shelf is not sitting correctly in the shelf supports.	<ul style="list-style-type: none"> ■ Push in the shelf until it clicks into position.
The LED lighting on the shelves does not work.	Liquid has come into contact with the LED lighting on a shelf or the metal discs (contacts) in the left-hand shelf supports. A safety cut-out turns the interior lighting off.	<ul style="list-style-type: none"> ■ Wipe the stainless steel strip with LED lighting with a damp cloth and dry it with a soft cloth, or let it dry outside the appliance. Clean the metal discs (contacts) in the same way. <p>Ensure that the contacts are clean and dry before refitting the shelves with LED lighting.</p> <ul style="list-style-type: none"> ■ Push in the shelf until it clicks into position. ■ Close the appliance door. <p>When the door is opened again, the interior lighting will come on.</p>
	If this is not the case, then there is a fault.	<ul style="list-style-type: none"> ■ Contact Miele Technical Service.


Frequently asked questions

Interior lighting		
Problem	Possible cause	Solution
<p>The LED lighting on the shelves does not work.</p>	<p>To avoid overheating, the lighting turns itself off automatically after approx. 15 minutes if the door is left open.</p>	<p>■ Close the appliance door.</p> <p>When the door is opened again, the interior lighting will come on.</p>
	<p>The LED lighting on the stainless steel strip is faulty.</p>	<p>■ Replace the stainless steel strip with LED lighting. It can be ordered from Miele.</p> <div style="border: 1px solid gray; padding: 10px; margin-top: 10px;"> <p>Do not remove the light cover. If the cover is damaged or has been removed as a result of being damaged, use caution. Never use optical instruments (magnifying glass or similar devices) to view the lighting, as it contains lasers (class 1M laser radiation).</p> <p>There are live electrical components under the light cover. Risk of injury and damage!</p> </div>

Frequently asked questions

Interior lighting		
Problem	Possible cause	Solution
<p>The LED lighting for the PerfectFresh zone does not work.</p>	<p>To avoid overheating, the lighting turns itself off automatically after approx. 15 minutes if the door is left open.</p>	<p>■ Close the appliance door.</p> <p>When the door is opened again, the interior lighting will come on.</p>
	<p>If this is not the case, then there is a fault.</p>	<p>■ Contact Miele Technical Service.</p> <p>The LED lighting may only be repaired or replaced by Miele Technical Service. There are live electrical components under the lighting cover. Danger of injury and damage to the appliance.</p> <div style="border: 1px solid gray; padding: 5px; margin-top: 10px;"> <p>Do not remove the cover. If the cover is damaged or needs to be removed due to damage, use caution. There are lasers in the lighting (laser beam class 1M) which you should avoid looking at directly. Do not use optical instruments (magnifying glass or similar) to look at the lighting either.</p> </div>

Frequently asked questions

Other problems		
Problem	Possible cause	Solution
The appliance cannot be turned off.	The safety lock is activated. The  symbol is lit up in the display.	■ Turn off the safety lock (see "Selecting settings - Activating/deactivating the safety lock").
The external walls of the appliance feel warm.	This is not a fault. The warmth created by the evaporator is used to prevent condensation.	None
The floor of the refrigerator section is wet.	The drain hole is blocked.	■ Clean the condensate channel and the drain hole.

Normal noises	What causes them
Brrrrr...	This noise may get louder for brief periods when the motor kicks on.
Blub, blub....	A gurgling noise can be heard when the refrigerant circulates through the pipes.
Click....	Clicking sounds occur whenever the thermostat turns the motor on or off.
Sssrrrrr....	In multi-section and frost-free appliances, the movement of air circulating through the appliance can sometimes just barely be heard.
	In appliances with a water tank, a humming noise can be heard when the water pump is running.
Crack...	A cracking noise can be heard when the appliance materials expand.

Keep in mind that a certain amount of noise is unavoidable (from the compressor and the refrigerant circulating through the system).

Noises that you can easily eliminate	Possible cause	Solution
Rattling, clinking	The appliance is not level.	Realign the appliance using a level, by raising or lowering the screw feet underneath the appliance.
	The appliance is touching another appliance or piece of furniture.	Move it away.
	Drawers, baskets or shelves are jiggling or are stuck.	Check all removable items and refit them correctly.
	Bottles or containers are touching.	Separate them.
	The transport cord clips are still hanging on the back of the appliance.	Remove the cord clips.

Service / Warranty

In the event of a fault which you cannot correct yourself, please contact

- your Miele dealer

or

- Miele Technical Service.

See back cover of the this manual contact details.

When contacting Miele Technical Service, please quote the model and serial number of your appliance. This information is given on the data plate inside your appliance.

Warranty

For additional information, please refer to your warranty booklet.

See the end of these operating and installation instructions for this telephone number.

Demo mode


This appliance can be presented in retail stores and in showrooms with the help of the "Demo mode." The controls and lighting will still work, but the compressor will not operate.

Switching on the Demo mode



- Switch the appliance off by tapping the On/Off button.

If this does not work, the safety lock is still activated.

The temperature will go out and the mains connection symbol  will appear.




- Place your finger on the V button and hold it there.



- At the same time, briefly tap the On/Off button (without letting go of the V button).



- Keep your finger on the V button until the  symbol appears in the display.
- Then, take your finger off the V button.

Demo mode is switched on and the  symbol is illuminated in the display.


Information for dealers/showrooms

Switching off Demo mode


The  is illuminated in the display.



- Tap the settings button.

All symbols available for selection will appear in the display and the  symbol flashes.




- Tap the buttons for setting the temperature (∨ or ∧) repeatedly until the  symbol flashes in the display.



- Tap the OK button to confirm your selection.


 flashes in the display (Demo mode is active) and the  symbol is illuminated.



- Tap the ∨ or ∧ button so that  appears in the display (Demo mode is inactive).




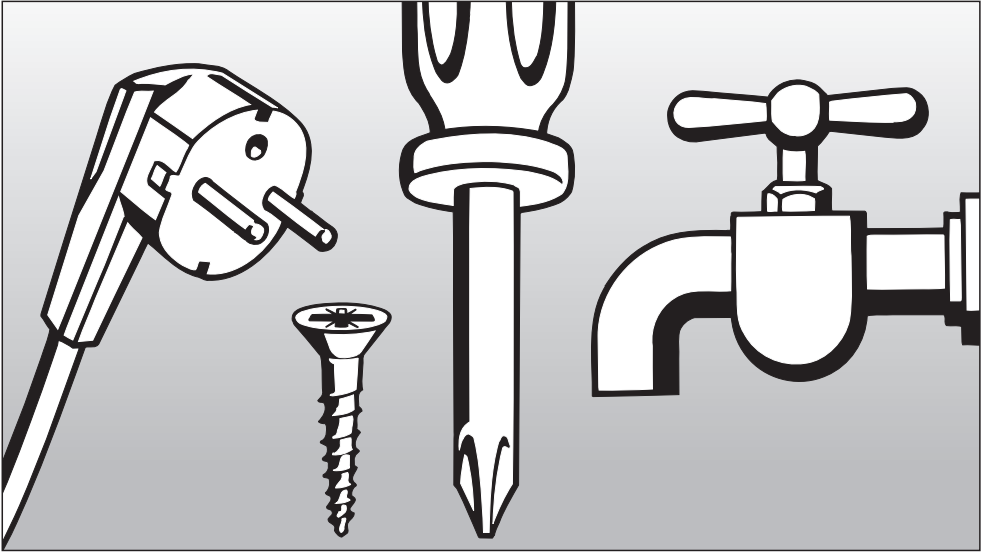
- Tap the OK button to confirm your selection.

The selected setting will be adopted and the  symbol will flash.



- Tap the settings button to leave the settings mode.
Otherwise the appliance exits the settings mode automatically after approximately one minute.

The Demo mode is switched off and the  symbol disappears.



Installation Instructions

Information is subject to change. Please refer to our website to obtain the most current product specification, technical & warranty information.

To prevent accidents
and machine damage
read these instructions
before
installation or use.

Caring for the environment

Disposing of the packaging materials

The packaging is designed to protect the appliance from damage during transportation. The packaging materials used are selected from materials which are environmentally friendly for disposal and should be recycled.

Ensure that any plastic wrappings, bags, etc. are disposed of safely and kept out of the reach of children. Return the packaging to your dealer.

Disposal of your old appliance


Old appliances may contain materials that can be recycled. Please contact your local recycling authority about the possibility of recycling these materials.

Please take care not to damage the pipework while the appliance is being stored for transport to a waste disposal facility.

By protecting the pipework, you help keep the coolants and compressor oil from contaminating the environment.

Before discarding an old appliance disconnect it from the electrical supply and cut off the power cord to prevent it from becoming a hazard.


Electrical connection


 Failure to follow these instructions can result in death, fire, or electrical shock.

Improper connection of the equipment grounding conductor may result in electric shock. If you are in any doubt as to whether the appliance has been properly grounded, have the appliance checked by a qualified electrician or service technician.

Installation, repairs and other work by unqualified persons could be dangerous. The manufacturer will not be held responsible for damage or injury arising from unauthorized work.

Before installing the appliance, verify that the voltage, load and circuit rating information found on the data plate match the household electrical supply.

 To guarantee the electrical safety of this appliance, continuity must exist between the appliance and an effective grounding system. It is imperative that this basic safety requirement be met. If there is any doubt, have the electrical system of the house checked by a qualified electrician.

 This appliance is equipped with a three-prong grounding plug to prevent shock hazards. It should be plugged directly into a properly grounded outlet. Do not cut or remove the grounding prong from the plug. If the plug does not fit the outlet, have the proper outlet installed by a licensed electrician. Do not use extension cords or ungrounded (two prong) adapters.

Connect this appliance to a 110 – 120 VAC, 60 Hz and 15 amp (20 amp for side-by-side) circuit with a circuit breaker or fuse.

This appliance must be grounded according to local or national codes.

The appliance must be connected to an electrical outlet that is properly grounded. The electrical installation must comply with the applicable electrical code.

The plug must be easily accessible and not concealed behind the appliance so that the appliance can quickly be disconnected from the electricity supply in an emergency. In addition, no other appliances should be plugged into a socket located directly behind this appliance.

The power cord must not come into contact with the back of the appliance, as they could be damaged by vibrations from the appliance. This may result in a short circuit.

Do not use an extension cord to connect the appliance to the power supply. Extension cords do not guarantee the required safety of the appliance (e.g. they pose a danger of overheating).

Do not connect the appliance to stand-alone inverters, such as those used with an autonomous energy source, **e.g. solar power systems**. Otherwise, when the appliance is switched on, peak loads in the system can cause the safety shutdown mechanism to be triggered. This can damage electronic units. In addition, the appliance must not be used with **energy-saving devices**, which reduce the amount of energy supplied to the appliance and cause it to overheat.

If the power cord needs to be replaced, this work must only be performed by a qualified electrician.

To avoid tipping over, the appliance must be properly installed and secured.

WARNING!

Danger of tilting! To avoid a hazard due to instability of the appliance, it must be secured in accordance with the instructions.

Side-by-side

The KS 37472 iD refrigerator/freezer has two side-wall heaters encased in foam and can be built into separate cabinet units arranged side-by-side with all appliances.

Please contact your dealer for specific information about which combinations will work with your appliance.

Location

This appliance should not be installed where it is exposed to direct sunlight or directly adjacent to a heat-producing appliance such as an oven or a radiator. The higher the ambient temperature of the room, the longer the compressor runs, and the more energy the appliance requires to operate. The appliance should be installed in a dry, well ventilated room.

The following should also be taken into consideration:

- The electrical socket must be easily accessible in an emergency, not concealed behind the appliance.

- The plug and cord must not touch the rear of the appliance as they could be damaged by vibrations from the appliance.
- Do not plug in other devices behind this appliance.

Important! In environments with high humidity

condensation can build up on the appliance exterior and ultimately cause corrosion on the outer walls.

To prevent this from happening, we recommend installing the appliance in a dry and/or an air-conditioned room with sufficient ventilation.

Once you have completed the installation, please make sure that the appliance door closes properly, that the ventilation openings are not covered and that the appliance has been installed as described.

Climate class

The appliance is designed for use within a certain climate range (ambient temperatures) and should not be used outside this range. The climate range of the appliance is stated on the data plate inside the appliance.

Climate class	Room temperature
SN	+50°F to +90°F (+10°C to +32°C)
N	+60°F to +90°F (+16°C to +32°C)
ST	+60°F to +100°F (+16°C to +38°C)
T	+100°F to 110°F (+16°C to +43°C)

Operating in a room which is too cold will cause the compressor to turn off for too long, causing the internal temperature in the appliance to rise resulting in damage.

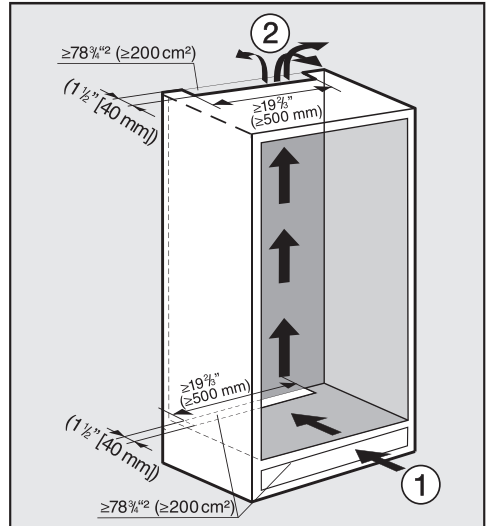
Installation information

Ventilation

WARNING! Danger of damage from overheating. May restrict operation. Keep ventilation openings, in the appliance enclosure or in the built-in structure, clear of obstruction.

The ventilation gaps given must be observed, otherwise the compressor will run more frequently and for longer periods. This will result in increased energy consumption and a higher operating temperature for the compressor. This may, in turn, cause the compressor to be damaged.

Air at the back of the appliance gets warm. The appliance housing unit must therefore be constructed to allow sufficient space for ventilation (see "Installation dimensions"):

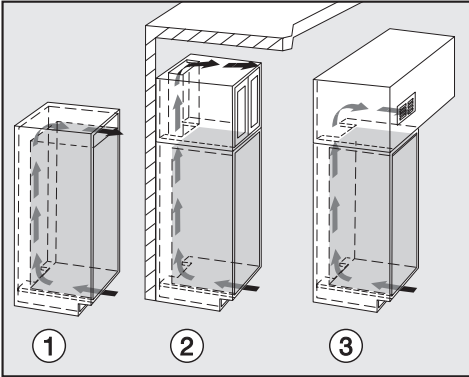


- Air intake ① occurs via the plinth at the bottom of the appliance and the air escapes at the top ② at the rear of the housing unit.
- A ventilation gap of at least 1 5/8" (40 mm) depth must be provided behind the appliance for air to circulate.
- The ventilation cross-sections in the plinth, housing unit and above the appliance must amount to at least 78 3/4"² to ensure that air can circulate without obstruction.
- Important. The appliance uses less energy, the larger the ventilation cross-section.

The ventilation cross-sections must not be blocked or covered in any way. They also need to be dusted/cleaned on a regular basis.

Top ventilation cross-section

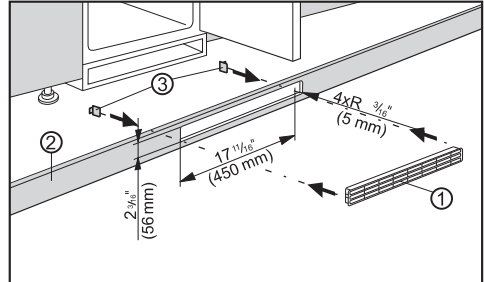
The ventilation cross section at the top of the appliance can be constructed in different ways:



- ① directly above the appliance with a ventilation grille (free airflow of at least $78 \frac{3}{4}''^2$).
- ② in between the housing unit and the ceiling.
- ③ through a suspended ceiling.

Ventilation slits

If you would like to use the ventilation slits, proceed as follows:

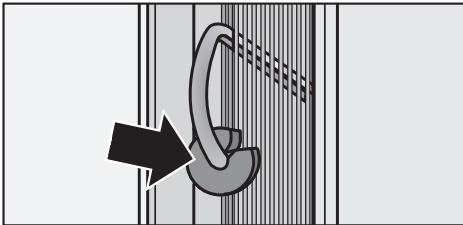


- Cut an opening in the plinth ② as shown in the figure.
- Place the ventilation slits ① into the opening.
- Push the snap connector ③ into the ventilation slits from the rear until the hooks are touching the plinth.
- Reinstall the plinth with the ventilation slits.

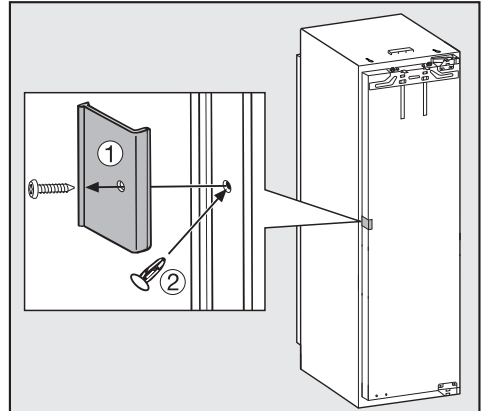
Installation information

Before installation

- Before installation, remove the accessories bag containing installation components and accessories from the appliance, and remove the sealing strip from the appliance door.
- **Do not remove** the following from the back of the appliance:



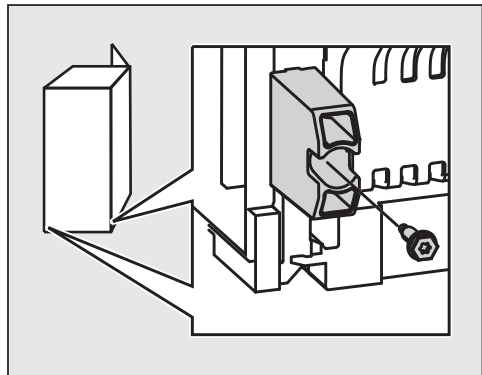
- The spacers (depending on model). These ensure the gap required between the back of the appliance and the wall is maintained.
- Depending on model, the pouches located in the metal grille (heat exchanger). They are required for the correct functioning of the appliance. The contents are not poisonous or dangerous.
- Remove any cable clips from the back of the appliance.
- Check that all parts at the back of the appliance are unhindered. Carefully remove any hindrance.



- Remove the red transport safety device ① and close the created hole with the included stopper ②.

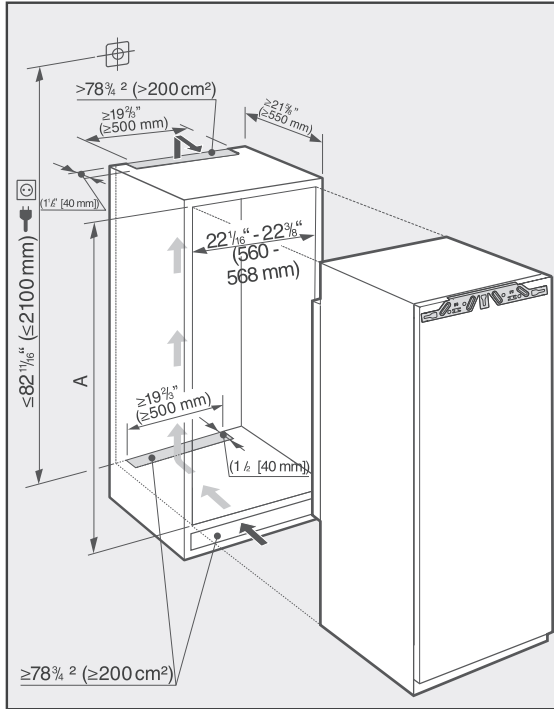
Wall spacer on the rear side

At a furniture depth below 21 3/4" (553 mm), you can remove the wall spacer from the rear side of the appliance so that you can push the appliance completely into the niche. The removal of the wall spacer can lead to a higher energy consumption since the ventilation cross-section is reduced.



- Loosen the screw and remove the wall spacer.

Installation dimensions



Before installation, ensure the building-in niche is the correct size. The specified ventilation cross-sections must be adhered to in order to ensure the correct functioning of the appliance.

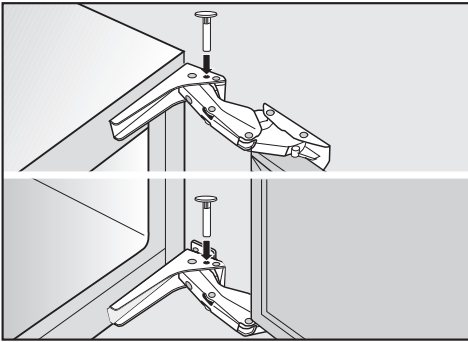
	Niche height A
KS 37472 iD	69 3/4" - 70 3/8" (1772 - 1788 mm)

Adjusting the door hinge

The door hinges are factory set so that the door can be opened wide.

However if the opening angle of the door needs to be limited for any reason, the hinge can be adjusted to accommodate this.

If, for instance, when it is opened the appliance door would hit an adjacent wall, you should limit the opening angle of the appliance door to 90°:



- Insert the limit pins provided into the hinges from above.

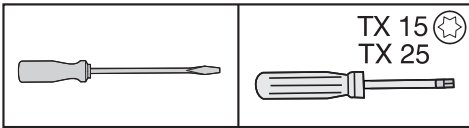
This will limit the opening angle of the appliance door to 90°.

Changing the door hinging

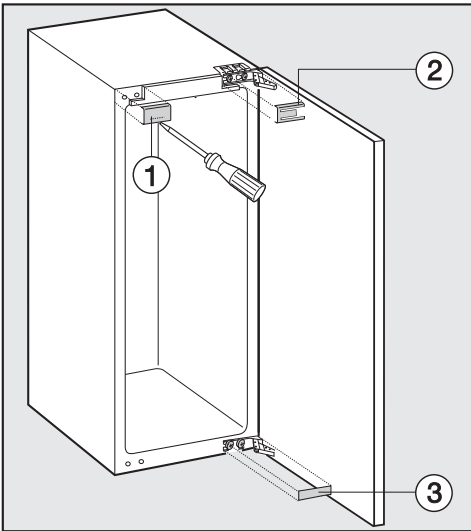
Always change the door hinge with the assistance of another person.

The appliance is supplied right-hand hinged. If left-hand hinging is required, the hinges must be changed:

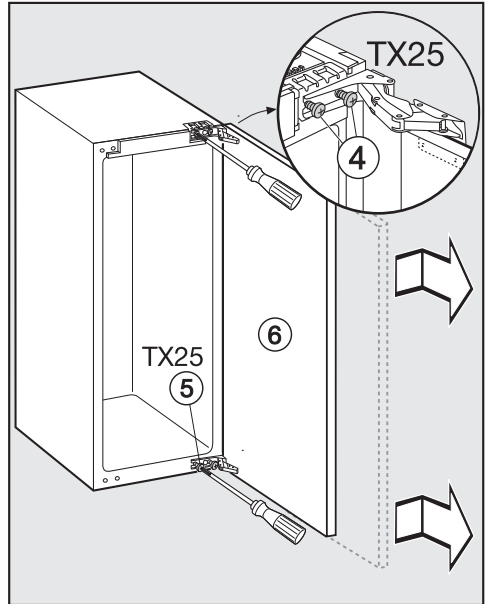
You will need the following tools for changing the door hinging:



- Open the appliance door.
- Remove the shelves/bottle shelf from the appliance door (depending on model).

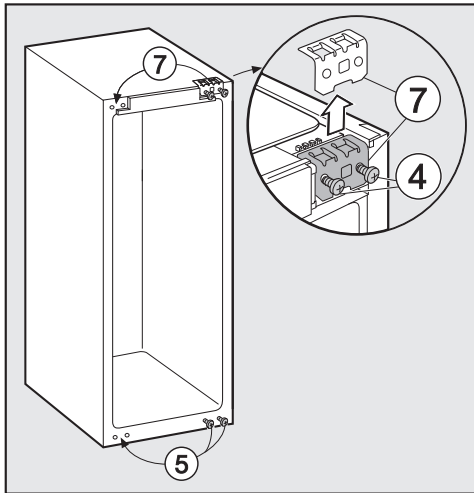


- Pull off the covers ①, ②, ③.

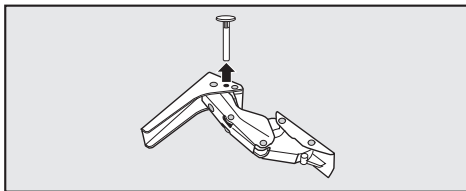


- Slightly loosen the screws ④ and ⑤ on the hinges.
- Push door ⑥ outwards and take it off its hinges.

Changing the door hinging



- Remove the screws (4) completely.
- Place the mounting bracket (7) on the opposite side and loosely screw in the screws (4).
- Remove screws (5) completely and loosely screw them in on the opposite side.

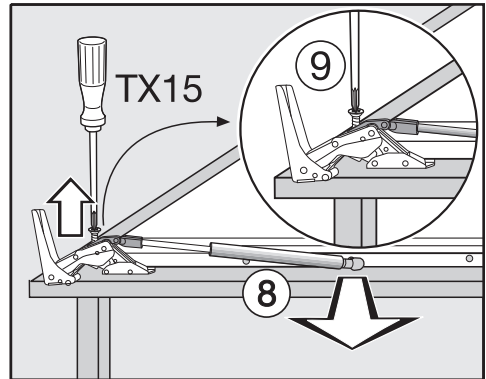


- If you had inserted pins into the hinges to limit the door's opening angle: remove the pins upwards out of the hinges.

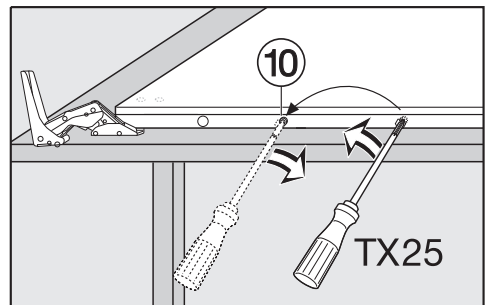
Unscrew the door closing dampers

Attention! When removed from the unit, the soft-close mechanism snaps shut. Risk of injury!

- Place the door with the outer side downwards on a stable surface.



- Remove the soft-close mechanism (8) from the ball joint.
- Unscrew the mount (9) and pull the soft-close mechanism (8) towards you to remove it.

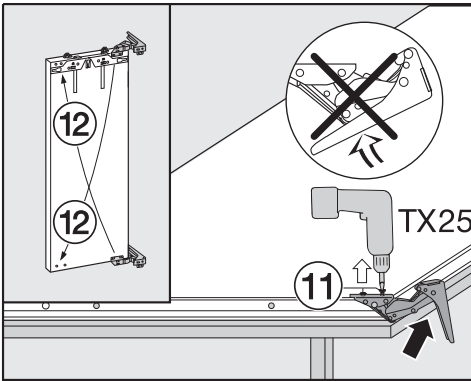


- Using a screwdriver, remove the ball joint (10) and screw it into the adjacent hole.

Changing the door hinging

- Now turn over the appliance door so that outer side faces upwards (hinges remain open).

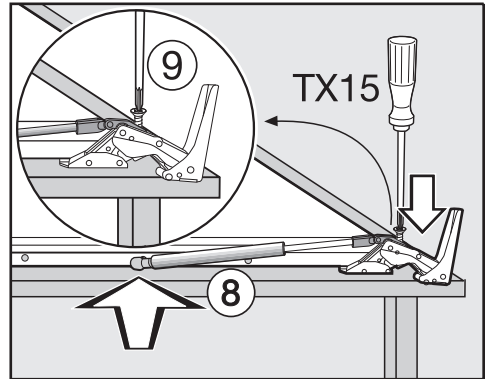
Do not close the hinges. Danger of injury.



- Remove the screws ⑪.
- Place each hinge in the corner diagonally opposite from its original position ⑫.

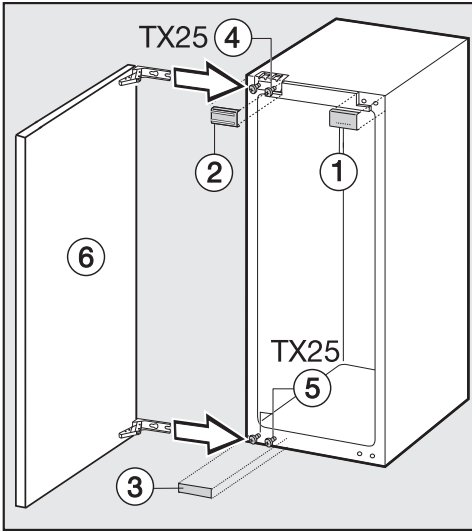
Fastening the soft-close mechanism

- Now turn over the appliance door so that the outer side faces downwards.

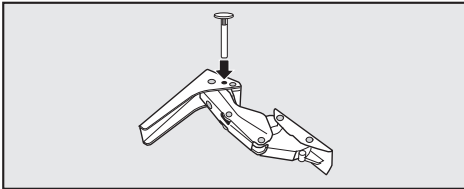


- Screw the mount ⑨ onto the hinge and firmly tighten.
- Pull the soft-close mechanism so that it extends ⑧ and hook it onto the ball joint.

Changing the door hinging



- Hang the appliance door (6) onto the pre-fitted screws (4) and (5), and then tighten the screws (4) and (5).
- Replace the covers (1), (2), and (3).

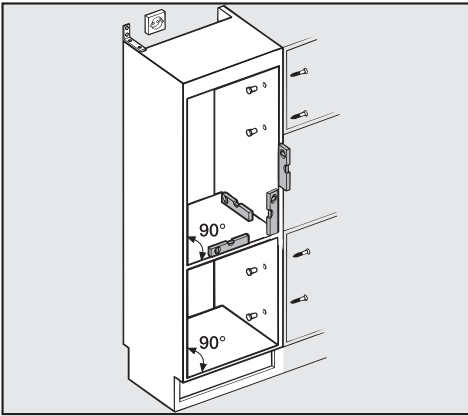


- Refit the locking pins into the top of the hinges to prevent the doors opening too far.

Installing the appliance

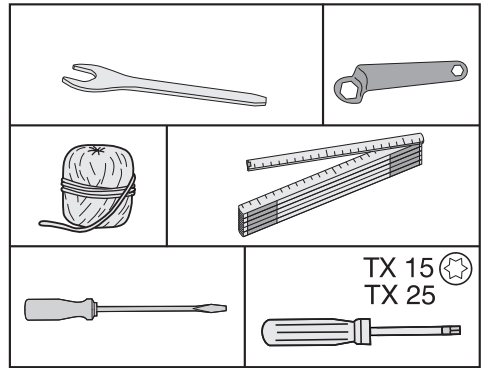
Two people are required to install the appliance.

- Install the appliance in a stable, solid housing unit, positioned on an even and level floor.
- Secure the housing unit against tipping.



- Use a level to align the housing unit. The corners of the housing unit must be at a 90° angle to each other, otherwise the cabinet door will not align correctly with all 4 corners of the housing unit.
- The required ventilation cross-sections must be ensured (see "Installation - Ventilation" and "Installation dimensions").

To install the appliance you will need the following tools:

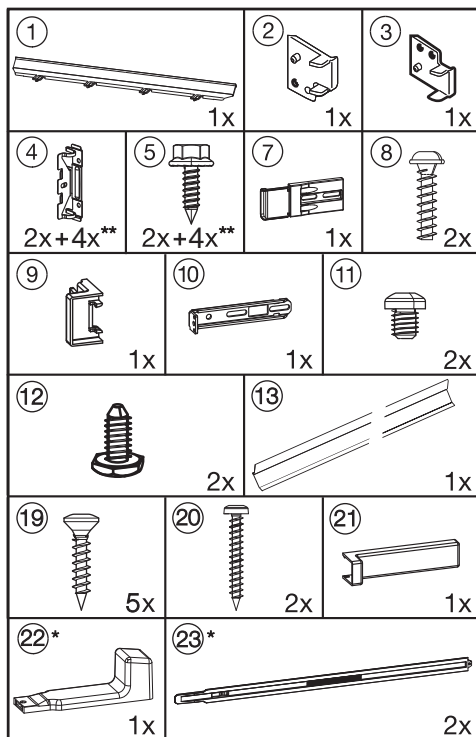


Installing the appliance

Parts required for installation

All installation parts are number coded. This coding is also used in the installation instructions.

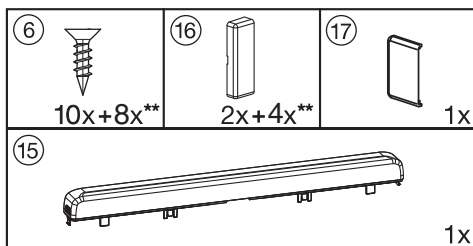
– Required for installing the appliance in its housing unit:



* These parts are only supplied with appliances with a niche height of 55" (140 cm) or more.

** Number depending on niche height. Also contains additional installation parts for fitting large or divided furniture doors.

– Required for fitting the cabinet door:



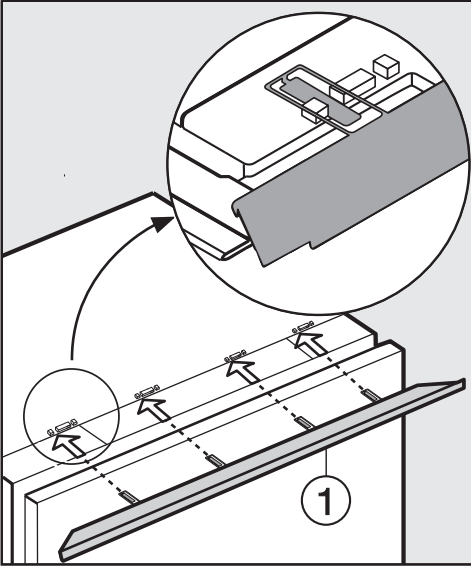
** Number depending on niche height. Also contains additional installation parts for fitting large or divided furniture doors.

All installation instructions given are for a right-hand hinged appliance. If you have converted the appliance to left-hand hinging, you will need to adapt these instructions accordingly.

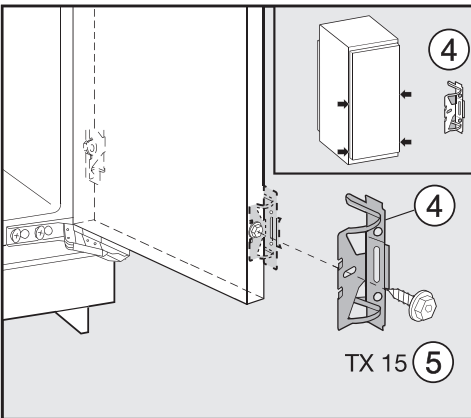
Preparing the appliance

- Position the appliance in front of the housing unit.

Installing the appliance



- Fit the straps of the compensation strip ① into the strut seats from the front.



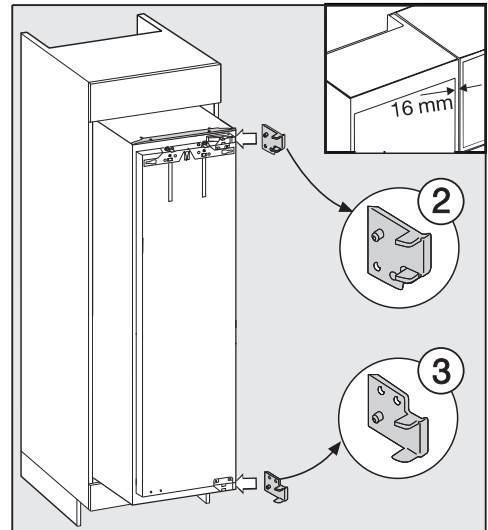
- Screw fixing bracket ④ using hex screw ⑤ to the pre-drilled holes in the appliance door. Using the pre-drilled holes in the appliance door, secure a second pair of fixing brackets ④ in the handle area of the door.

- Push the appliance two-thirds of the way into the installation space. Ensure that the power cord does not get caught.

Tip to help you push it into position:

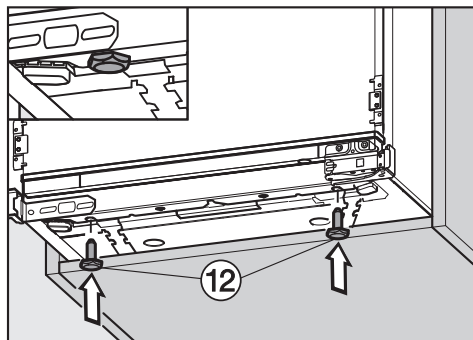
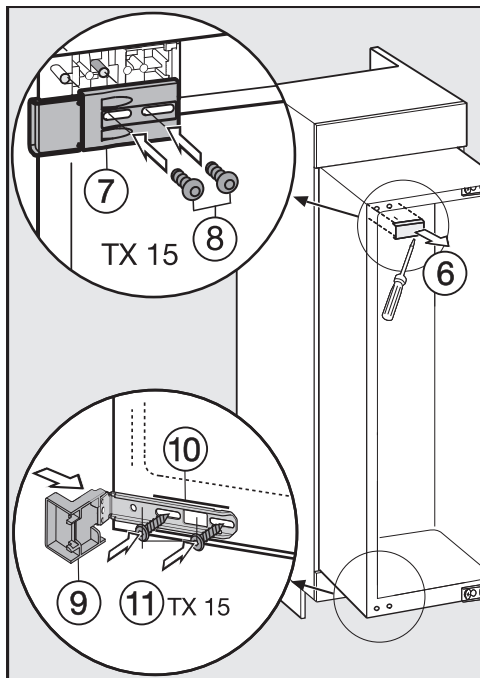
Tie a piece of string around the plug to "increase" the length of the power cord. Then pull the cord by the end of the string through the housing unit. It will then be easier to connect once the appliance is in the unit.

Only in the case of 5/8" (16 mm) thick unit walls:



- Clip the spacers ② and ③ on the right-hand side of the hinges.
- Open the appliance door.

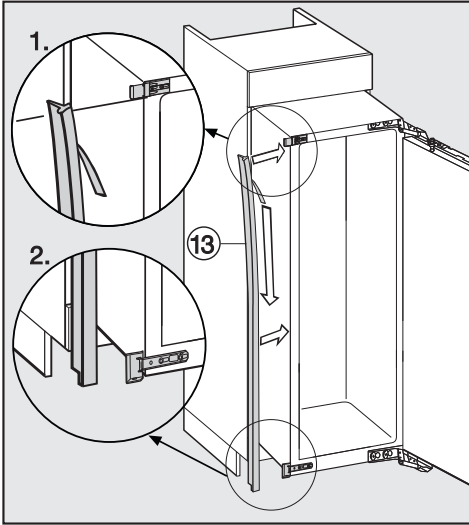
Installing the appliance



- Screw in adjustable feet 12 completely.

- Remove the cover 6.
- Secure the fastening part 7 using screws 8 loosely into the top left-hand side of the appliance. Do not tighten the screws so that you can adjust the position of this part.
- Fit the cover 9 onto the fixing bracket 10.
- Then screw fixing bracket 10 using screws 11 loosely into the bottom of the appliance. Do not tighten the screws so that you can adjust the position of this part.

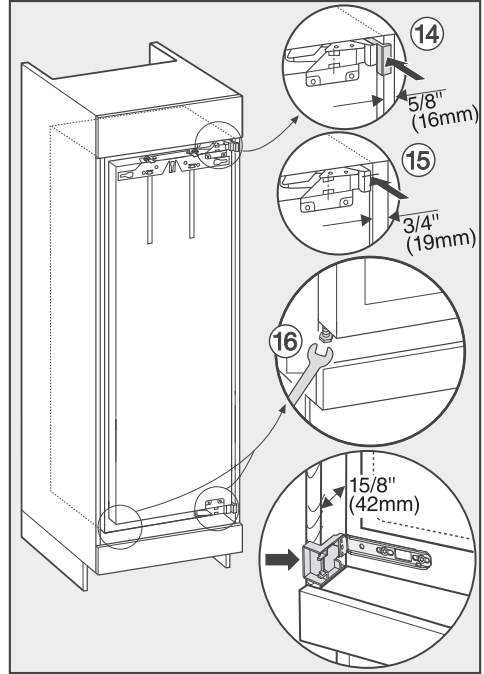
Installing the appliance



- Carefully remove the protective foil from sealing strip ⑬.
- Secure the sealing strip ⑬ flush with the front of the appliance on the door opening side.
 1. Position the sealing strip flush with the lower edge of the top fixing.
 2. Stick it down along its entire length.

Installing the appliance

- Push the appliance into the niche until all of the brackets are in line with the front edge of the furniture side wall.



- ⑭ **With 5/8" 16 mm thick walls:**
The spacers should touch the front edge at the top and bottom of the side walls of the housing unit.
- ⑮ **With 3/4" (19 mm) thick walls:**
The front edges of the top and bottom hinges should be flush with the front edge of the housing side walls.

Installing the appliance

- Check the position of the fixing bracket at the top and bottom front edge of the cabinet side wall again.

This will help maintain a **1 5/8" (42 mm)** distance all the way around from the front edges of the cabinet side walls.

On cabinetry with door fittings (e.g. stubs, seals etc.) the dimension of these must be taken into account when making sure there is a gap all round of **1 5/8" (42 mm)**.

- Pull the appliance forward the appropriate amount to suit the installed dimensions.

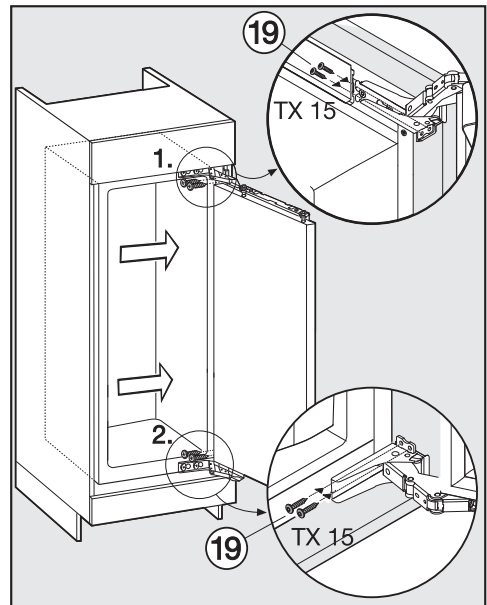
The hinges and covers will now be positioned to suit the dimensions.

Tip: Remove the door fittings. This will ensure that the door is flush with the surrounding kitchen unit cabinet doors.

- ⑩ Align the appliance on both sides by altering the adjustable feet using the wrench supplied.

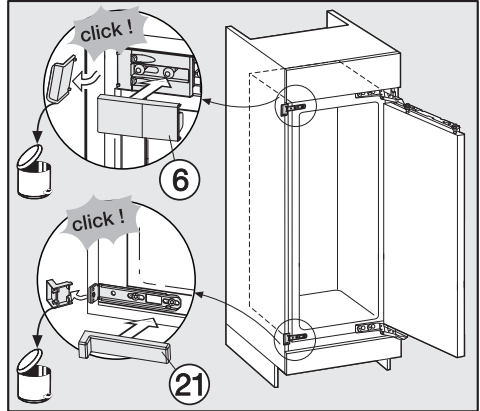
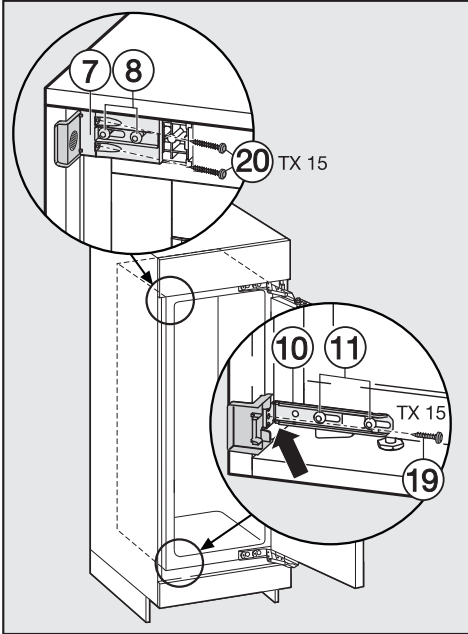
If the all round gap of 1 5/8" (42 mm) is not maintained between the appliance housing and the front edge of the housing unit side wall, the door may not shut properly. This can cause ice to build up, condensate to accumulate and lead to faults in the appliance. These can all lead to increased energy consumption.

Securing the appliance in the niche



- Push the hinged side of the appliance to the cabinet wall.
- Screw the particleboard screws ⑲ through the hinge plates at the top, bottom and then in the middle to secure the appliance to the housing unit.

Installing the appliance



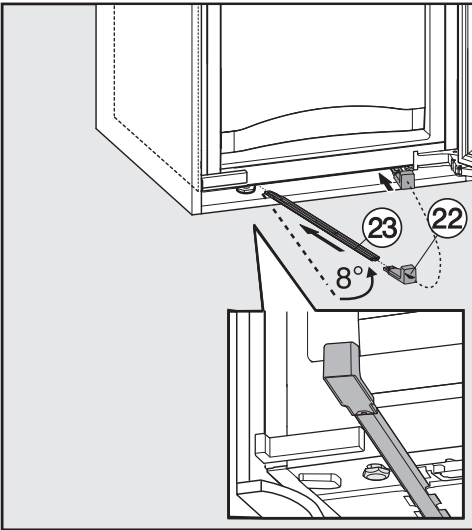
- Push the loose bracket against the cabinet wall.
- Secure mounting bracket 10 to the housing unit side wall with screw 19. Drill holes in the housing unit side walls if necessary.
- Secure bracket 7 to the housing unit side walls using screws 20. Drill holes in the housing unit side walls if necessary.
Attention! Push the protruding bracket using your thumb towards the housing unit wall while tightening the screws. The appliance must not pull back into the unit.
- Retighten screws 8 and 11.

- Snap off any protruding ends from the mounting bracket. They are no longer required.
- Replace covers 6 and 21 on the mounting brackets.

Installing the appliance

Only for an appliance with a niche height greater than 55" (140 cm)

For additional stability of the appliance in the unit, push the rods supplied in underneath the appliance between it and the floor of the housing unit:



- Then secure handle ②② to one of the rods ②③.
- Use the handle to push the rod into the guide as far as it will go. Remove the handle and fit it to the other rod and push this into its guide as far as it will go.

Important! Keep the handle somewhere safe in case you ever need to fit the appliance into a new housing unit.

- Close the appliance door.

Installing the custom door front

The cabinet door must be at least of 5/8" (16 mm) thick and not exceed 3/4" (19 mm) thick.

The following gap dimensions must be maintained:

- The gap between the cabinet door and the unit door above must be at least 1/8" (3 mm).
- The vertical gap between cabinet doors should also be about 1/8" (3 mm). The exact dimension will vary depending on the radius of the cabinet door edges.

If fitted in a run of units make sure that the top edge of the cabinet door is at the same height as neighboring unit doors.

The door panel must be installed correctly and not under tension.

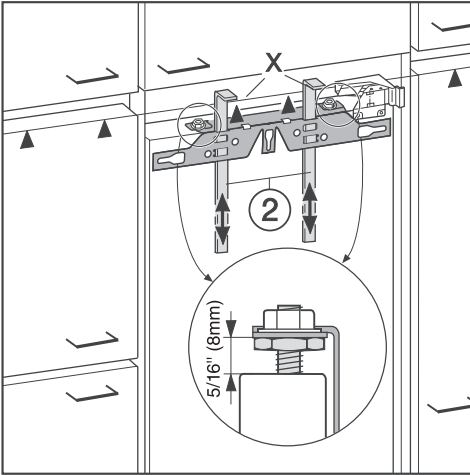
Installing a door front which is heavier than the maximum permitted could damage the hinges. This can cause damage.

Before installing door fronts ensure that the weight of the door does not exceed the maximum permitted:

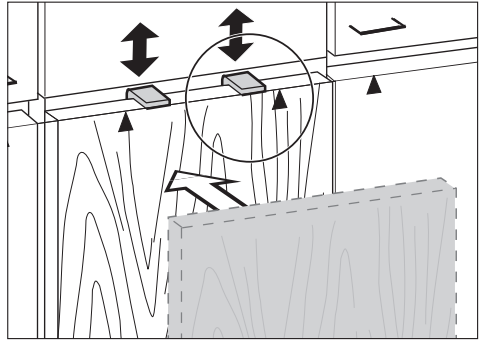
Appliance	Maximum weight of furniture door in lb (kg)
KS 37472 iD	50.7 (23)

When fitting large or divided cabinet doors an extra fitting kit or set of fixing brackets should be used. These are available to order from Miele.

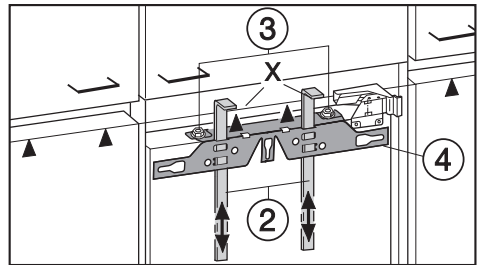
Installing the appliance



- A gap of 5/16" (8 mm) is set ex works between the appliance door and the fixing bracket. Double check this gap and reset it if necessary.
- Push the installation aids ② up to the height of the cabinet door: the lower edge X of the installation aids must be at the same height as the upper edge of the cabinet door being fitted (see ▲ on the diagram).



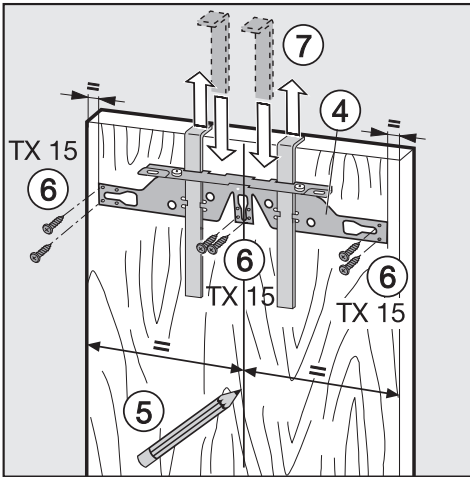
Tip: Push installation aids ② together with the cabinet front up to the height of the adjoining unit cabinet doors.



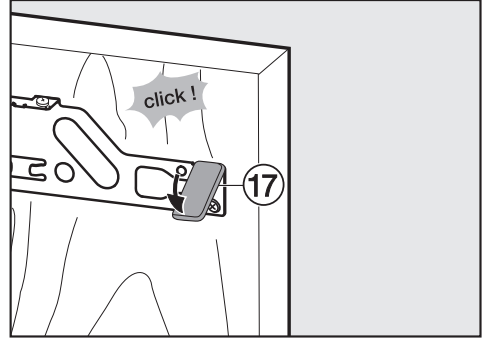
- Remove the nuts ③ and take the mounting bracket ④ off together with installation aids ②.

Installing the appliance

- Place the door panel with the outer side downwards on a stable surface.



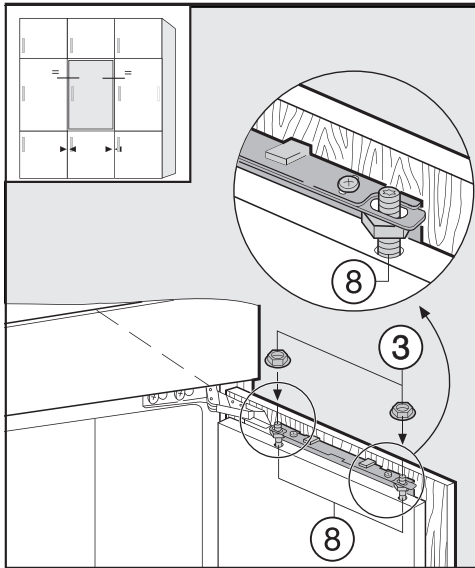
- Using a pencil, lightly mark a line down the center of the inside of the panel (5).
- Hang the fixing bracket (4) with the fitting aids onto the **inside** of the cabinet door. Align the bracket centrally.
- Attach the mounting bracket securely using at least 6 short particle board screws (6). Drill holes in the cabinet door if necessary.
- Pull the installation aids upwards to remove them (7). Turn them around and fit them into the middle slots on the bracket for safe keeping.



- Secure the side cover (17) to the bracket on the opposite side of the hinge.
- Turn the door over and attach the handle (if required).

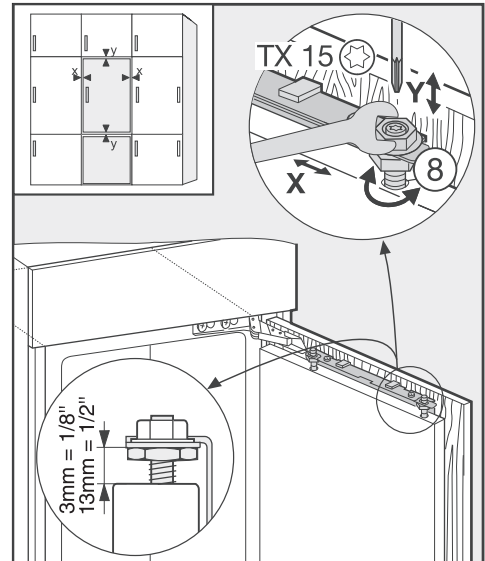
Installing the appliance

- Open the appliance door.



- Hang the door panel on the threaded bolts (8).
- Screw the nuts (3) loosely onto bolts.
- Close the door and check the distance between the door and neighboring cabinet doors. The gaps should be even.

Adjusting the position of the door



– Side adjustments (X)

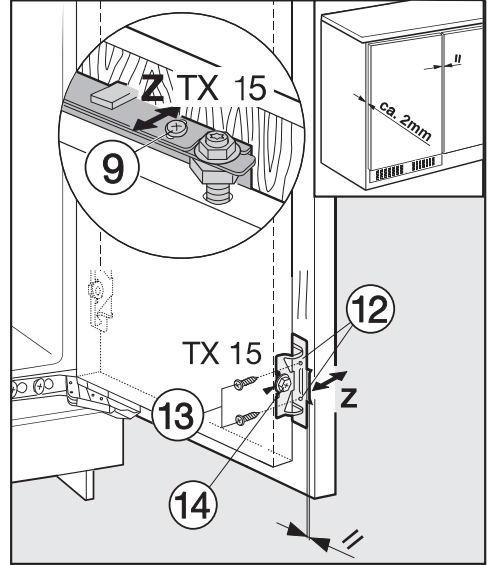
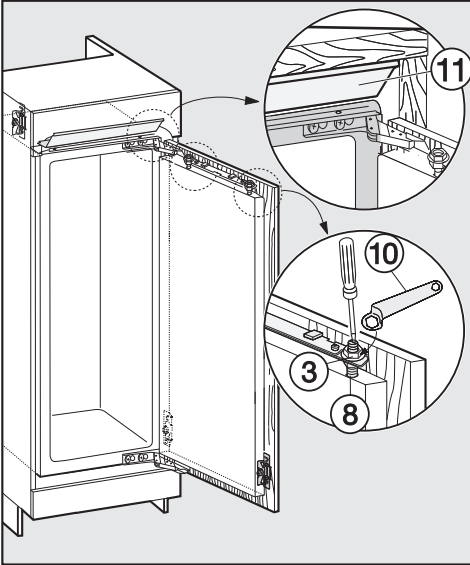
- Adjust the door panel.

– Height adjustment (Y)

- Tighten the nuts with a wrench (8).

A gap of 3/8" (8 mm) is factory set between the appliance door and the bracket. This must only be adjusted within its permitted range.

Installing the appliance



- While counterholding adjusting bolts ⑧ with a screwdriver, tighten nuts ③ on the appliance door with ring spanner ⑩.
- Cover strip ⑪ must be completely hidden in the niche, and must not protrude.

- Drill holes ⑫ in the door panel and fit screws ⑬. Make sure the two metal edges are aligned (Symbol //).
- Close the appliance door and the cabinet door.

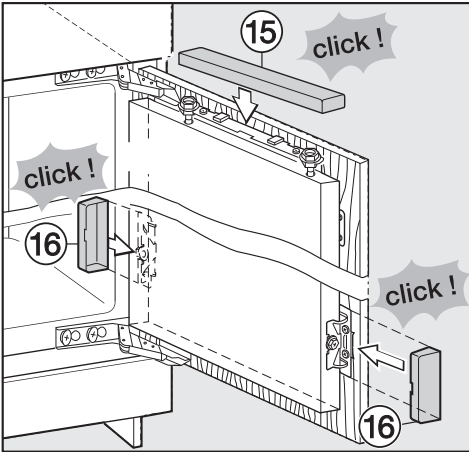
Adjusting the position of the door

– Depth adjustment (Z)

- Loosen screws ⑨ at the top of the appliance door, and screw ⑭ on the mounting bracket at the bottom. By moving the cabinet door, create a gap of 1/16" (2 mm) between the cabinet door and the housing unit.

Installing the appliance

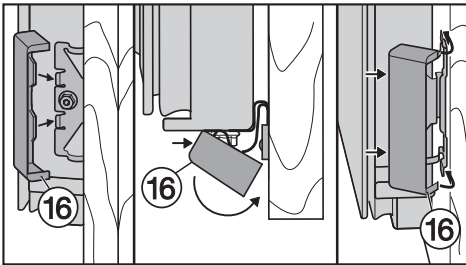
- Tighten all the screws again.



The following confirms that the appliance is correctly installed:

- The door must close properly.
- The door must not touch the furniture body.
- The seal at the upper corner of the side with the handle contacts tightly.

- Replace top cover ⑮, and click it into place.



- Replace side covers ⑯, making sure you hear them click into place.

Please have the model and serial number of your appliance available before contacting Technical Service.



U.S.A.
Miele, Inc.

National Headquarters

9 Independence Way
Princeton, NJ 08540
Phone: 800-843-7231
609-419-9898
Fax: 609-419-4298
www.mieleusa.com

Technical Service & Support
Nationwide

Phone: 800-999-1360
Fax: 888-586-8056

TechnicalService@mieleusa.com

Canada
Miele Limited

Headquarters and Showroom

161 Four Valley Drive
Vaughan, ON L4K 4V8
Phone: 800-643-5381
Fax: 905-532-2290
www.miele.ca
professional@miele.ca
(commercial enquiries)

MieleCare National Service

Phone: 800-565-6435
905-532-2272
Fax: 905-532-2292
customercare@miele.ca
(general and technical enquiries)



www.miele-shop.com

KS 37472 iD



en - US

M.-Nr. 10 117 250 / 00