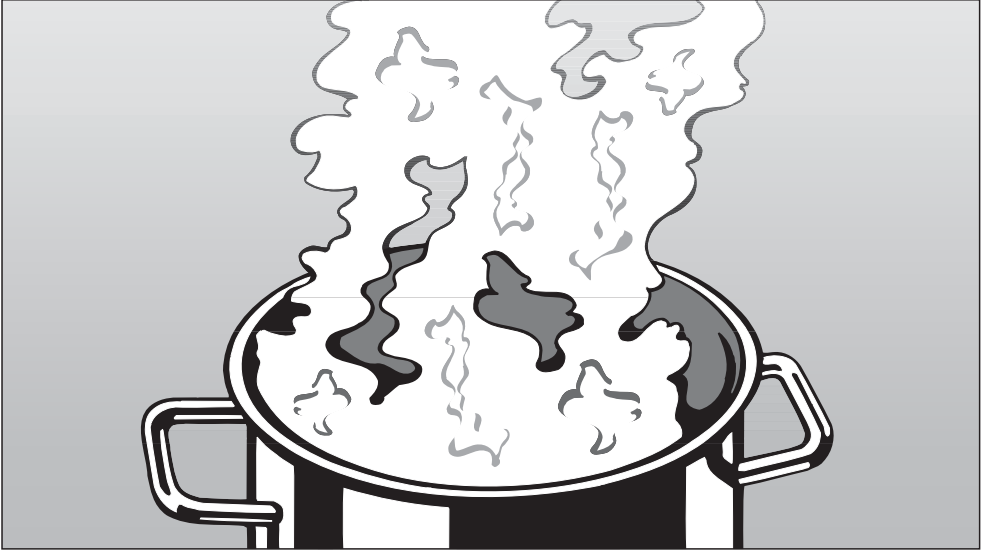


Operating and Installation Instructions



Ventilation System

DA 1160

DA 1180

To prevent accidents
and appliance damage,
read these instructions

before

installation or use.

en - US

M.-Nr. 09 382 400

Contents

IMPORTANT SAFETY INSTRUCTIONS	3
Description of functions	7
Guide to the ventilation system	8
Turning the light on/off	9
Fan control	9
Cleaning and care	10
Grease filters	11
Odor-free filter (active charcoal filter)	13
Changing the light bulbs	14
After Sales Service	15
Installation instructions	17
Caring for the environment	18
Appliance dimensions	19
Installation	21
Diverter	21
Under-cabinet installation	22
Wall mounting	23
Electrical connection	27
Exhaust ducting	28
Condensate trap	30
Technical data	31

IMPORTANT SAFETY INSTRUCTIONS

READ AND SAVE THESE INSTRUCTIONS

Keep these instructions in a safe place and pass them on to any future user.

Read these instructions carefully before installing or using the Ventilation System.

- ▶ This appliance is intended for residential use only. Use the appliance only for its intended purpose.
- ▶ This appliance complies with current safety requirements. Improper use of the appliance can lead to personal injury and material damage.

⚠ CAUTION
For General Ventilating Use Only. Do Not Use To Exhaust Hazardous Or Explosive Materials And Vapors.

- ▶ This appliance is designed to vent cooking smoke and odors only.
- ▶ This appliance is suitable for installation above gas or electric cooking surfaces.
- ▶ This appliance is not intended for outdoor use.
- ▶ This appliance must not be used in a non-stationary location (e.g. on a ship).

⚠ WARNING
TO REDUCE THE RISK OF FIRE, ELECTRIC SHOCK, OR INJURY TO PERSONS, OBSERVE THE FOLLOWING:

- ▶ a) Use this appliance only in the manner intended by the manufacturer. If you have questions, contact Miele.
- ▶ b) Before servicing or cleaning the appliance, switch power off at the service panel and lock the service disconnecting means to prevent power from being switched on accidentally. If the service disconnecting means cannot be locked, securely fasten a prominent warning device, such as a tag, to the service panel.
- ▶ c) Be certain your appliance is properly installed and grounded by a qualified technician.
To guarantee the electrical safety of this appliance, continuity must exist between the appliance and an effective grounding system. It is imperative that this basic safety requirement be met. If there is any doubt, have the electrical system of the house checked by a qualified electrician.

IMPORTANT SAFETY INSTRUCTIONS

▶ d) Before connecting the appliance to the power supply make sure that the voltage and frequency listed on the data plate correspond with the household electrical supply. This data must correspond to prevent appliance damage. If in doubt consult a qualified electrician.

▶ e) Installation work and repairs should only be performed by a qualified technician in accordance with all applicable codes and standards. Repairs and other work by unqualified persons could be dangerous.

▶ f) Only open the casing as described in the enclosed "Installation diagram" and in the "Cleaning and care" section of this manual. Under no circumstances should any other parts of the casing be opened. Tampering with electrical connections or components and mechanical parts is highly dangerous to the user and can cause operation faults.

▶ g) Before discarding an old appliance, disconnect it from the power supply and remove the power cord to prevent hazards.

Use

WARNING **TO REDUCE THE RISK OF A COOKTOP GREASE FIRE:**

▶ a) Never leave surface units unattended at high settings. Boilovers cause smoking and greasy spillovers may ignite. Heat oils slowly on low or medium settings.

▶ b) Always turn the hood on when cooking at a high heat.

▶ c) Clean the ventilation hood frequently. Grease should not be allowed to accumulate on the fan or filter.

▶ d) Use the proper pan size. Always use cookware appropriate for the size of the cooking area.

▶ e) Do not flambé or grill with an open flame beneath the hood. Flames could be drawn up into the hood by the suction and the grease filter may catch fire.

IMPORTANT SAFETY INSTRUCTIONS

WARNING **TO REDUCE THE RISK OF INJURY TO PERSONS IN THE EVENT OF A COOKTOP GREASE FIRE, OBSERVE THE FOLLOWING*:**

▶ a) **SMOTHER FLAMES** with a close fitting lid, cookie sheet, or metal tray then turn off the burner.

BE CAREFUL TO PREVENT BURNS. If the flames do not go out immediately, **EVACUATE AND CALL THE FIRE DEPARTMENT.**

▶ b) **NEVER PICK UP A FLAMING PAN** - You may be burned.

▶ c) **DO NOT USE WATER**, including wet dishcloths or towels - a violent steam explosion will result.

▶ d) Use a fire extinguisher **ONLY** if:

1) You have a class ABC extinguisher, and you know how to operate it.

2) The fire is small and contained in the area where it started.

3) The fire department is being called.

4) You can fight the fire with your back to an exit.

* Based on "Kitchen Firesafety Tips" published by NAFTA

▶ Do not allow children to play with or operate the appliance or its controls. Supervise its use by the elderly or infirm.

▶ Always turn on the hood when using the cooktop to prevent damage from condensation.

▶ Never operate gas burners without cookware. Turn the burner off when not in use. Adjust the burner so that the flames do not extend beneath the cookware. Do not overheat the cookware, e.g. when using a wok. The hood can be damaged due to excessive heat from the burners and the cookware.

▶ Do not use the hood without the grease filter in place.

▶ Do not use a steam cleaner to clean the hood. Steam could penetrate electrical components and cause a short circuit.

IMPORTANT SAFETY INSTRUCTIONS

Installation

⚠ WARNING
TO REDUCE THE RISK OF
FIRE, ELECTRIC SHOCK, OR
INJURY TO PERSONS,
OBSERVE THE FOLLOWING:

- ▶ a) Installation work and electrical wiring must be done by qualified person(s) in accordance with all applicable codes and standards, including fire-rated construction.
- ▶ b) Sufficient air is needed for combustion and exhausting of gases through the flue (chimney of fuel burning equipment to prevent back drafting. Follow the heating equipment manufacturer's guideline and safety standards such as those published by the National Fire Protection Association (NFPA) and the American Society for Heating, Refrigeration and Air Conditioning Engineers (ASHRAE), and the local code authorities.
- ▶ c) When cutting or drilling into the wall or ceiling, do not damage electrical wiring and other hidden utilities.
- ▶ d) Ducted hoods must always be vented to the outdoors.
- ▶ e) Do not use this hood with any solid-state speed control device.
- ▶ f) Do not use an extension cord to connect the appliance to electricity. Extension cords do not guarantee the required safety of the appliance, (e.g. danger of overheating).

▶ g) Do not install this hood over cooktops that burn solid fuel.

▶ h) Provided a larger distance is not given by the manufacturer of the cooktop, follow the minimum safety distances between a cooktop and the bottom of the hood given in the "Appliance dimensions" section of this manual.

If local building codes require a greater safety distance, follow their requirement.

If there is more than one appliance beneath the hood and they have different minimum safety distances always select the greater distance.

▶ i) Never connect an exhaust hood to an active chimney, dryer vent, vent flue, or room ventilating ductwork.

▶ j) Seek professional advice before connecting an exhaust hood vent to an existing, inactive chimney or vent flue.

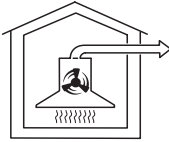
▶ k) Any fittings, sealant, or materials used to install the ductwork must be made of approved non-flammable materials.

⚠ WARNING
TO REDUCE THE RISK OF FIRE USE
ONLY METAL DUCTWORK.

Description of functions

The ventilation system can be operated:

Air extraction



The air is drawn in and cleaned by the grease filters and directed outside.

The hood comes equipped with a **non-return flap**. This flap automatically closes when the hood is turned off so that no exchange of outside air and room air can occur. When the hood is turned on, the air pressure of the exhaust fan automatically opens the flap blowing the inside air and cooking odors outside.

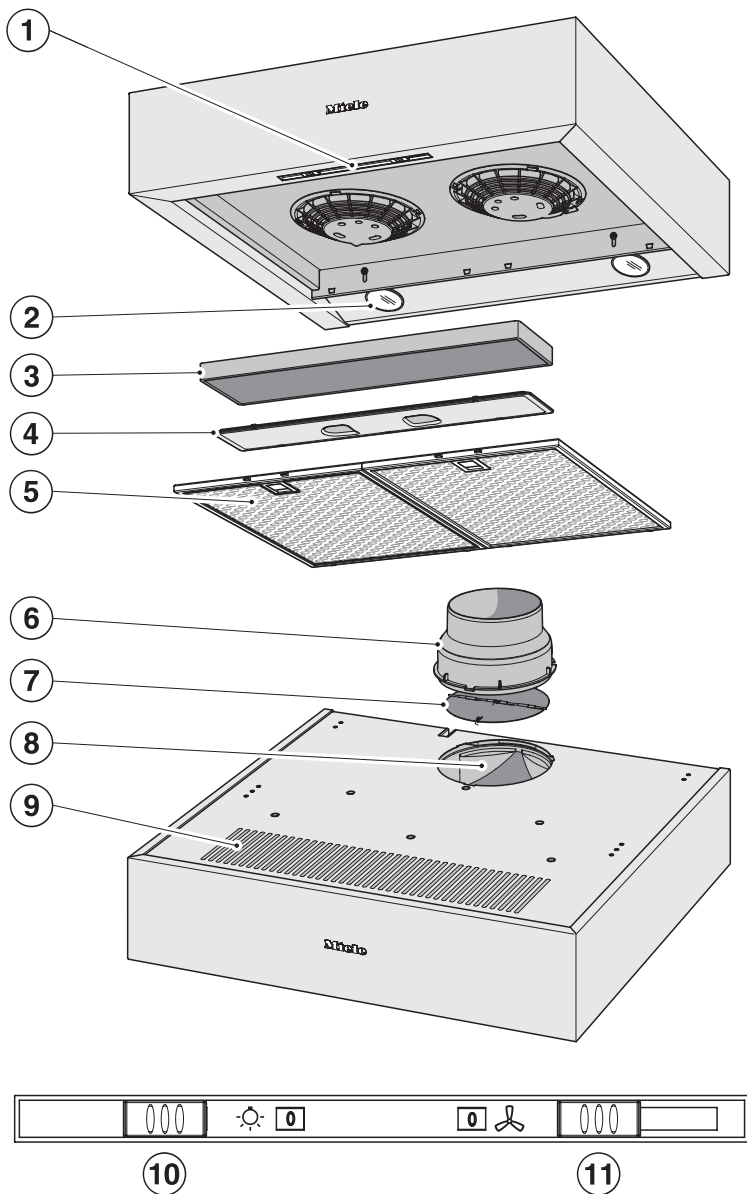
Recirculation mode



The air is drawn in and cleaned by the grease filter as well as an **odor-free filter** (optional accessories). The filtered air is then recirculated back into the kitchen.

In air recirculation mode, please ensure that the odor-free filter is in place, see "Cleaning and care".

Guide to the ventilation system



Guide to the ventilation system

- ① **Control panel**
 - ② **Overhead lighting**
 - ③ **Odor-free filter (active charcoal filter)**
- Optional accessory for recirculation mode
- ④ **Cover for the odor-free filter duct**
 - ⑤ **Grease filter**
 - ⑥ **Vent collar Ø 125 mm or 150 mm**
 - ⑦ **Non-return flap**
 - ⑧ **Vent for air extraction**
 - ⑨ **Recirculation vent**
 - ⑩ **Switch for the overhead lighting**
 - ⑪ **Switch for the fan**

Turning the light on/off

The overhead light and the fan can be turned on and off separately ⑩.

"0" – Light off

"1" – Light on

Fan control

- This switch ⑪ allows you to turn the fan on and off and to select the fan power level.
- "0" – Fan off
- Levels "1" to "3" are usually sufficient for normal cooking.
- The "IS" level should be used temporarily for a short period of time when frying or cooking food with a strong aroma.


After cooking

In both air extraction mode and recirculation mode we recommend that you run the fan for several minutes after you have finished cooking. This helps clear the kitchen air of any remaining vapors and odors.

Cleaning and care

WARNING **TO REDUCE THE RISK OF FIRE, ELECTRIC SHOCK, OR INJURY TO PERSONS, OBSERVE THE FOLLOWING:**

Before cleaning or servicing the hood, disconnect it from the power supply, see "Important Safety Instructions".

 The halogen bulbs are very hot when in use. They stay hot for some time after turned off. Use caution, danger of burns.
Wet cleaning the hot bulbs will cause damage.
Wait a few minutes after turning them off before cleaning.

Cleaning the casing

Never use abrasive cleaners, scouring pads, steel wool or caustic (oven) cleaners on the hood. They will damage the surface.

- All external surfaces and controls can be cleaned with a mild solution of warm water and liquid dish soap applied with a soft sponge.
- Wipe dry using a soft cloth.

Do not use too much water when cleaning the controls. Water could penetrate the electronics and cause damage.

Avoid:

- cleaning agents containing soda, acids or chlorides,
- abrasive cleaning agents e.g. powder or cream cleansers,
- abrasive sponges, e.g. pot scourers or sponges which have been previously used with abrasive cleaning agents.

These will damage the surface.

- The following instructions for cleaning "Stainless steel" surfaces and "Stainless steel colored controls" should be followed **in addition to** the general "Cleaning the casing" instructions.

Stainless steel surfaces

(does not apply to stainless steel colored controls)

Stainless steel surfaces can be cleaned using a non-abrasive stainless steel cleaner.

To help prevent resoiling, a conditioner for stainless steel can be applied.

Special instructions for appliances with a colored (RAL) housing.

It is very difficult to clean this type of surface without causing minor marks on the surface material.

This can become particularly noticeable if there is halogen light in the kitchen.

Stainless steel colored controls

These controls may become discolored or damaged if not cleaned regularly. Do not use a stainless steel cleaner on these controls.


Observe the general cleaning information in this chapter.

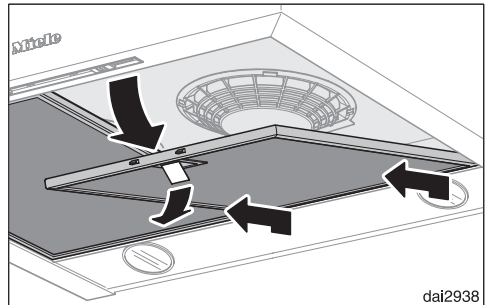
Do not use a stainless steel cleaner on the controls.

Grease filters

The reusable metal grease filters in the hood remove solid particles from the vented kitchen air (grease, dust, etc.) and prevent soiling of the ventilation system.

We recommend cleaning the grease filters every 3-4 weeks, before the residues solidify.

 A dirty filter is a fire hazard!



- Open the grease filter locking clips and pull the filter down to remove.

To prevent damage to the filter and the cooktop, hold the filter securely when handling it.

Cleaning and care

Cleaning the filter

- **By hand:** use a scrub brush with a solution of warm water and mild detergent.

Do not use the pure detergent, aggressive all purpose cleaners, oven sprays, abrasive cleaning agents or limescale removers. They could destroy the filter.

- **In a dishwasher:** place the filter vertically in the lower basket, making sure that the spray arm is not blocked.

Use a wash program with a max. temperature of 150°F (65°C). In a Miele dishwasher use the "Normal" program.

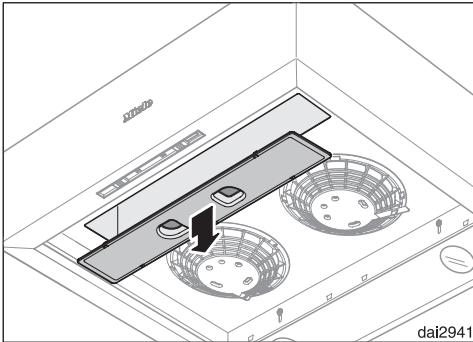
Use the recommended amount of dishwasher detergent. Overuse could destroy the filter.

Depending on the detergent, cleaning the grease filter in a dishwasher may cause permanent discoloration of the filter surface. Performance of the filter will not be affected by this discoloration.

- After cleaning, the filter can be placed on a towel to air dry.
- While the filter is removed, clean any dirt or grease from the filter casing to prevent the risk of fire.

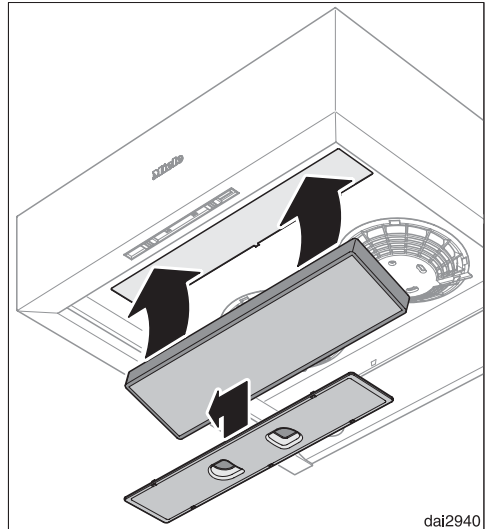
Odor-free filter (active charcoal filter)

For recirculation mode an odor-free filter must be used in addition to the grease filter. The odor-free filter is designed to absorb cooking odors. It is inserted above the grease filter.



- Remove the grease filters.
- Slide the cover of the odor-free filter duct slightly to the right and downward to remove.

- Remove the odor-free filter from the packaging.
- Insert the odor-free filter into the duct and push upward until it is positioned under the vent.



- Reinsert the cover and the grease filter.

Replace the filter every 6 months or when it is no longer absorbing cooking odors.

- Used odor-free filters may be discarded with the household waste.

Cleaning and care

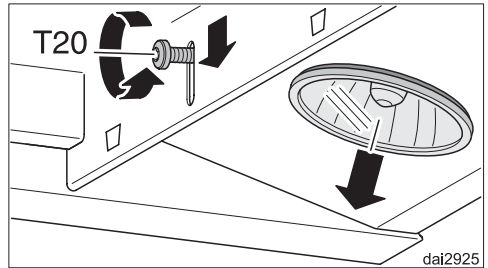
Changing the light bulbs

⚠ WARNING
TO REDUCE THE RISK OF
FIRE, ELECTRIC SHOCK, OR
INJURY TO PERSONS,
OBSERVE THE FOLLOWING:

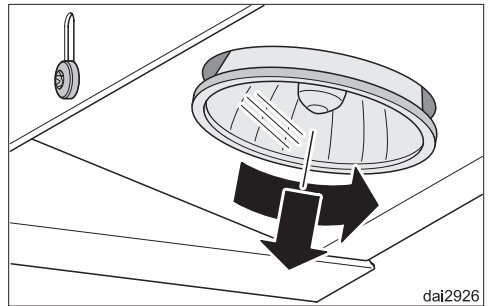
Before changing the light bulbs, disconnect the hood from the power supply, see "Important Safety Instructions".

When in use halogen bulbs become extremely hot, and can burn your hands. Do not attempt to change the bulbs until they have had sufficient time to cool.

- Remove the grease filter.



- Loosen the light fastening screw slightly.
- Slide the screw and the light down.
- Fasten the screw again.



- Turn the light counterclockwise and pull it out.

Replace it with a light of the same type:
GU/GZ 10, 120 V, 50 W.

- Install the new light in the reverse order.
- Put the grease filter back in place.

Repairs

In the event of a fault which you cannot easily fix yourself, please contact the Miele Technical Service Department.

- When contacting the Technical Service Department, please quote the model and serial number of your appliance.

These are shown on the data plate which is visible when the grease filter are removed.

MieleCare

(USA only)

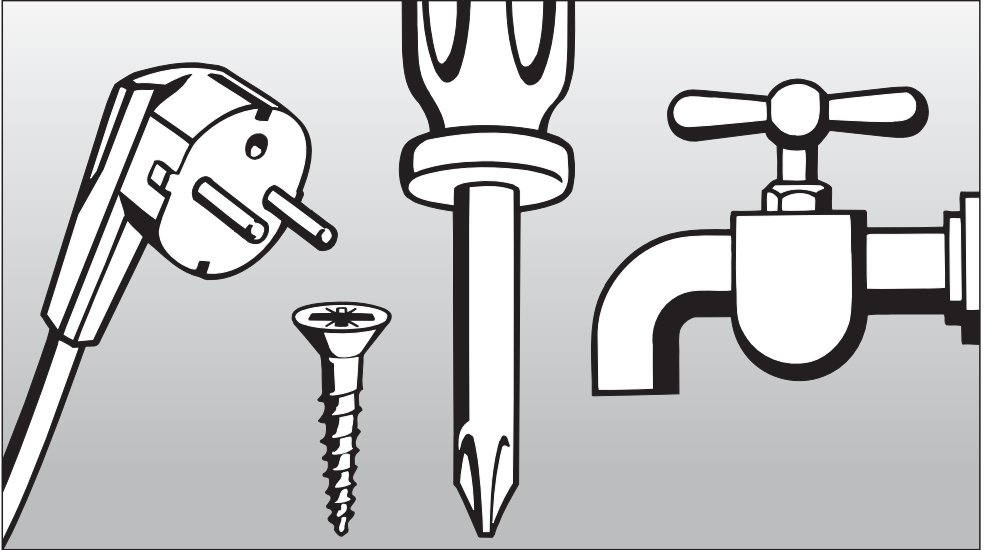
MieleCare, our Extended Service Contract program, gives you the assurance of knowing that your appliance investment is covered by 5 years of worry free ownership.

MieleCare is the only Extended Service Contract in the industry that guarantees repairs by a Miele Authorized Service Provider using genuine Miele parts. Only genuine Miele parts installed by factory trained professionals can guarantee the safety, reliability, and longevity of your Miele appliance.

Please note that unless expressly approved in writing by Miele's Service department, Extended Service Contracts offered by other providers for Miele products will not be recognized by Miele. Our goal is to prevent unauthorized (and untrained) service personnel from working on your Miele products, possibly doing further damage to them, you and/or your home.

To learn more about **MieleCare** Extended Service Contracts, please contact your appliance dealer or visit us online at:

<http://mieleusa.com/mielecare>



Installation Instructions

Read these instructions and the "Important Safety Instructions" before installing this ventilation system.

The installation steps are described in the enclosed "Installation Diagram".

Leave these instructions with the appliance for the consumer/user.

Information is subject to change. Please refer to our website to obtain the most current product specification, technical & warranty information.

Caring for the environment

Disposal of packing material

The cardboard box and packing materials protect the appliance during shipping. They have been designed to be biodegradable and recyclable. Please recycle.



DANGER

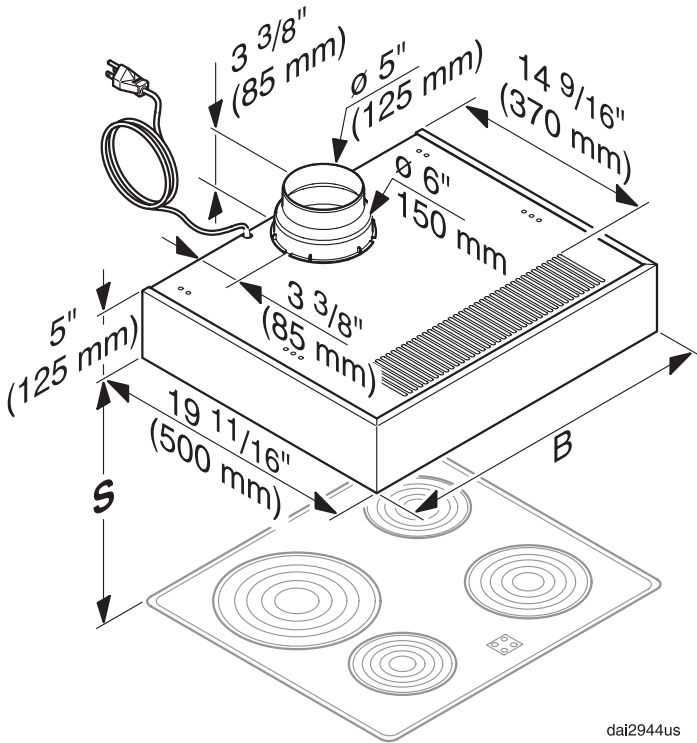
Ensure that any plastic wrappings, bags, etc., are disposed of safely and kept out of the reach of babies and young children. Danger of suffocation!

Disposal of an old appliance

Old appliances may contain materials that can be recycled. Please contact your local recycling center about the possibility of recycling these materials.

Before discarding an old appliance, disconnect it from the electrical supply and cut off the power cord to prevent it from becoming a hazard.

Appliance dimensions



dai2944us

DA 1160 B = 23 ⁹/₁₆" (598 mm)

DA 1180 B = 29 ¹⁵/₁₆" (760 mm)

Exhaust connection

- 5" (125 mm) diameter
- 6" (150 mm) diameter

Appliance dimensions

Distance between cooktop and hood (S)

Do not install this exhaust hood over cooktops burning solid fuel.

Provided a larger distance is not given by the manufacturer of the cooktop, follow the minimum safety distances between a cooktop and the bottom of the hood:

	Miele Cooktops	Non-Miele Cooktops
Electric Cooktops	24" (610 mm)	
Electric Barbeques and Fryers	26" (660 mm)	
Multiburner Gas cooktops ≤ 43,000 BTU (12.6 KW) and no burner > 15,000 BTU (4.5 KW)	26" (660 mm)	30" (760 mm)
Single burner (Wok) ≤ 20,500 BTU (6 KW)	26" (660 mm)	30" (760 mm)
All other gas cooktops	30" (760 mm)	

- If several gas surfaces are installed under the hood, the total output must be considered when determining the minimum safety distance.
- Be sure to follow the minimum safety distances given by the gas cooktop manufacturer to easily flammable materials e.g. upper cabinets.
- If local building codes require a greater safety distance, follow their requirement.
- If there is more than one appliance beneath the hood and they have different minimum safety distances always select the greater distance.

See "Important Safety Instructions" for further information. Also see the "Important Safety Instructions" section.

- To ensure free access to work under the ventilation hood, a distance of a minimum of 26" (660 mm) above the electric cooktop is also recommended.

Before installation read the information in the "Appliance Dimensions" and "Important Safety Instruction" chapters. This is especially crucial when using the ventilation system at the same time as another heat-producing appliance that uses air from the same room.

- Remove the grease filter.

The casing of stainless steel models is covered with a protective film to prevent scratching during transport.

- Remove the film from the casing and from the grease filter frames before installing. It can be removed without tools.

Diverter

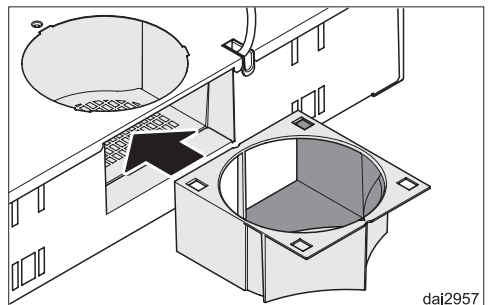
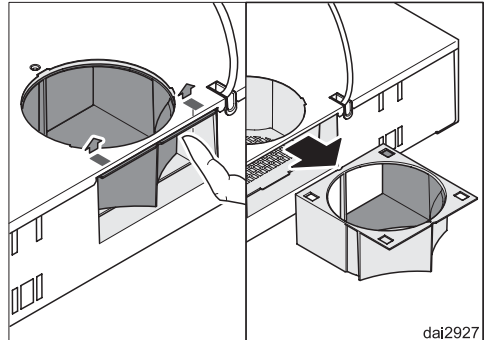
A diverter must be inserted at the back of the hood.

Its position depends on the operating mode.

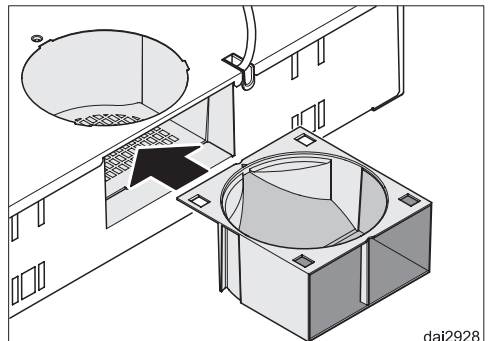
In air extraction mode, it guides the air outside through an opening at the back of the casing.

In air recirculation mode, it closes the opening and guides the air to the outlet at the front.

- Check the position of the diverter.
- If required, change the diverter position to match the desired operating mode.



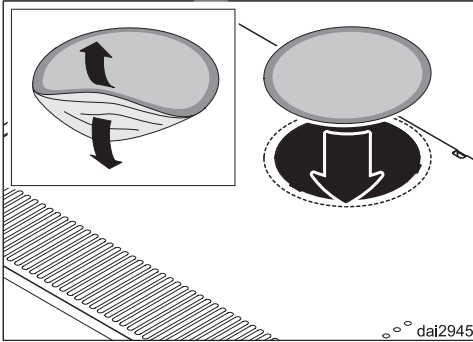
Extraction



Recirculation

- To do this, push on the two latching hooks, pull the diverter out, turn it, and push it back in until it clicks into place.


Installation



- For operation in recirculation mode, cover the opening at the back with the sticker. The sticker comes with the odor-free filter which is available as an optional accessory (active charcoal filter).

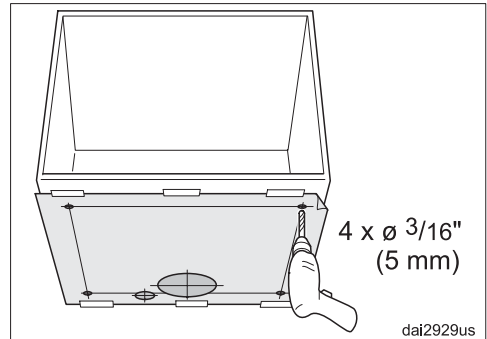
Under-cabinet installation

Several holes for fastening the device under a cabinet are provided in the top of the casing.

 Use only the holes on the drill template. Use only the specified screws. Faulty installation can damage the ventilation system and impair the electrical safety (e.g. electric shocks).

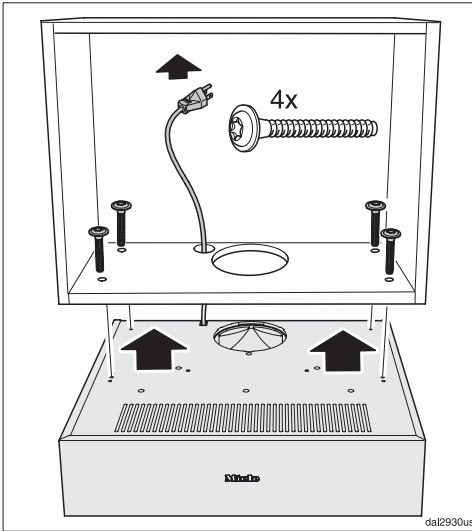
If using the recirculation mode with a very deep cabinet it must be ensured that the cabinet does not cover the recirculation air outlet.

- Fasten the cut-out drill template to the bottom of the cabinet.



- Drill four mounting holes $\text{Ø } \frac{3}{16}''$ (5 mm) through the bottom of the cabinet.


- For extraction mode you must also drill a $6 \frac{3}{4}$ " (170 mm) hole through the bottom of the cabinet.
- If you want to lay the power cord through the cabinet you must drill a hole for it, too.

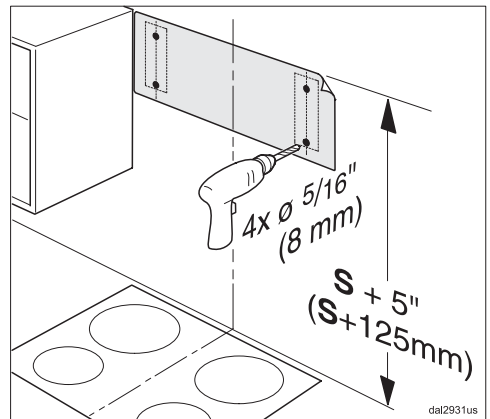


- Lift the hood up under the cabinet and feed the power cord through the respective hole in the bottom of the cabinet.
- From the inside of the cabinet, fasten the hood to the cabinet using the screws provided.
- Put the grease filter back in place.

Wall mounting

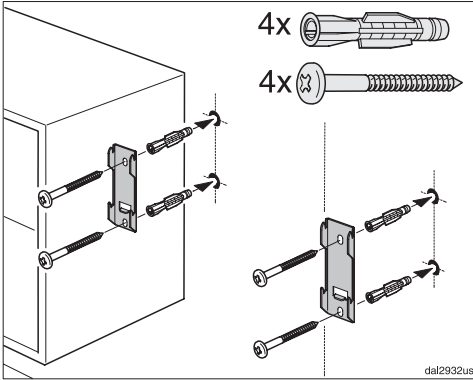
You can also mount the device to a wall using the two wall anchors.

 The screws and dowels are suitable for solid brick walls. For other types of walls, use appropriate materials. Make sure that the wall can support the weight.



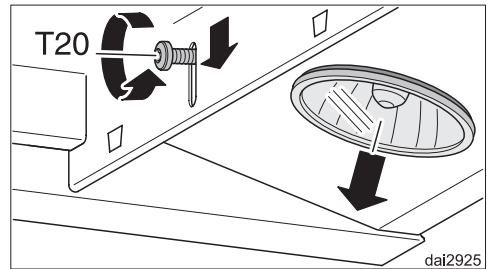
- Fasten the cut-out drill template to the wall. The template's upper edge marks the upper edge of the hood. Observe the safety clearance (S) to the cooktop (see "Appliance dimensions").
- Mark and drill the four holes (\varnothing 8 mm) for the wall anchors.
- Remove the drill template.

Installation

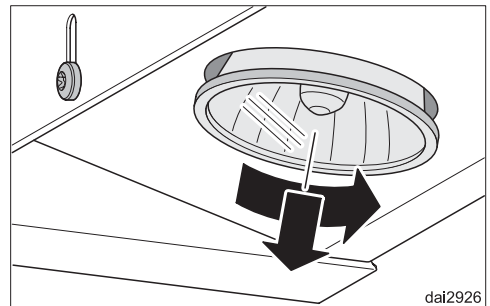


- Fasten the wall anchors to the wall using the dowels and screws provided.

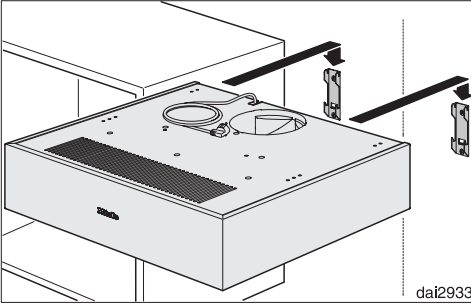
- Remove the overhead lights.



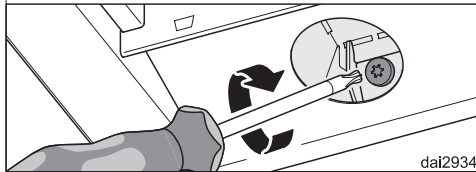
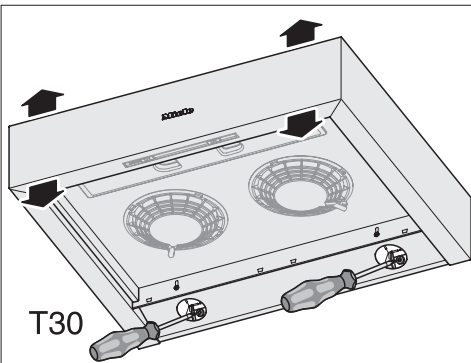
- Slightly loosen the light fastening screw.
- Slide the screw and the light down.
- Fasten the screw again.



- Turn the light counterclockwise and pull it out.

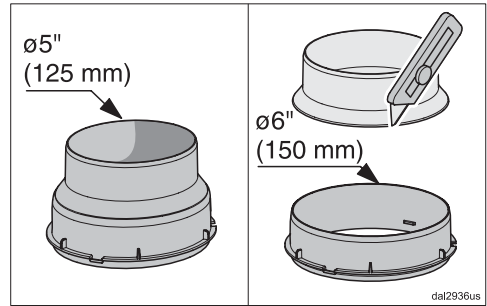


- Attach the hood to the wall anchors.

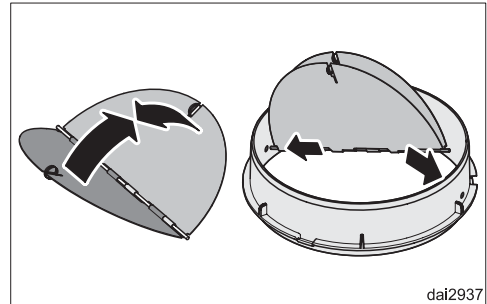


- Tighten the two screws at the left and the right on the back of the device. These are used to adjust the tilt and secure the hood in position.
- Reinstall the overhead lights.
- Put the grease filter back in place.
- If extraction mode is used, install the exhaust ducting and connections.

For air extraction mode:

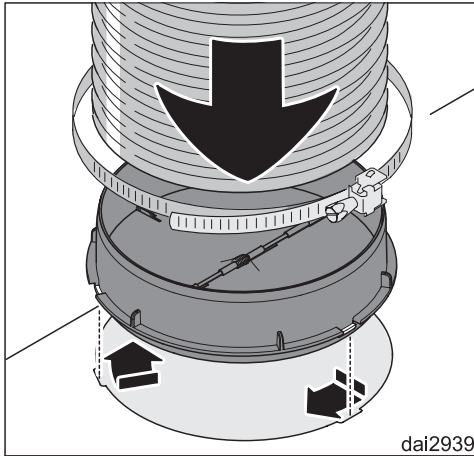


- For an Ø 6" (150 mm) exhaust duct, use a pointed knife to cut off the exhaust collar where it tapers. For an Ø 5" (125 mm) exhaust duct, use the collar as is.



- If required, insert the non-return flap. Ensure that the flap opens easily and closes by itself.

Installation



Observe the instructions in "Important safety instructions" and "Electrical connection".

- Fasten the exhaust duct to the exhaust collar e.g. using a flexible duct and a clamp (optional accessory).
- Insert the exhaust collar into the exhaust opening and secure it by turning it clockwise.
- For further exhaust ducting see "Exhaust ducting".

- Plug the power cord into the power outlet.
- To carry out a function test, turn the fan on.
 - In extraction mode, no air should come out of the air outlet at the front of the hood.
 - In recirculation mode, the air should come out of the air outlet at the front of the hood.

If this is not the case, the diverter is not installed correctly (see "Diverter").

For recirculation mode:

- Insert the odor-free filter (see "Cleaning and care").

⚠ WARNING
TO REDUCE THE RISK OF
FIRE, ELECTRIC SHOCK, OR
INJURY TO PERSONS,
OBSERVE THE FOLLOWING:

All electrical work should be performed by a qualified electrician in strict accordance with national regulations (for USA: ANSI-NFPA 70) and local safety regulations. Installation, repairs and other work by unqualified persons could be dangerous. Ensure that power to the appliance is OFF while installation or repair work is performed.

- Verify that the voltage, load and circuit rating information found on the data plate (located behind the grease filter), match the household electrical supply before installing the hood.
- Use only with ventilation hood cord-connection kits that have been investigated and found acceptable for use with this model hood.

If there is any question concerning the electrical connection of this appliance to your power supply, please consult a licensed electrician or call Miele's Technical Service Department.

⚠ WARNING:
THIS APPLIANCE MUST BE
GROUNDED

Grounding Instructions

This appliance must be grounded. In the event of an electrical short circuit, grounding reduces the risk of electric shock by providing a path of least resistance. This appliance is equipped with a cord having a grounding wire with a grounding plug. The plug must be plugged into an outlet that is properly installed and grounded.

WARNING - Improper grounding can result in a risk of electric shock.

If there is any doubt, have the electrical system of the house checked by a qualified electrician.

Do not use an extension cord. If the power supply cord is too short, have a qualified electrician install an outlet near the appliance.

Important

The hood comes equipped with a 6.5 ft (2 m) power cord with a NEMA 5-15 molded plug for connection to a 120 VAC, 60 Hz, 15 A power outlet.

Exhaust ducting

WARNING

Danger of toxic fumes.

Gas cooking appliances release carbon monoxide that can be harmful or fatal if inhaled.

To reduce the risk of fire and to properly exhaust air, the exhaust gases extracted by the hood should be vented outside of the building only.

Do not vent exhaust air into spaces within walls or ceilings or in attics, crawl spaces or garages.

To reduce the risk of fire, only use metal ductwork.

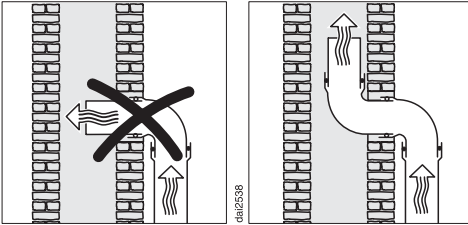
Please read and follow the **"IMPORTANT SAFETY INSTRUCTIONS"** to reduce the risk of personal injury. Follow all local building codes when installing the hood.

Use smooth or flexible pipework made from approved non-flammable materials for exhaust ducting.

To achieve the most efficient air extraction and quietest noise levels, consider the following:

- The diameter of the ductwork should not be less than 6" (150 mm).
- If flat ducting is used, the cross section must not be smaller than the cross section of the ventilation exhaust.
- The ducting should be as short and straight as possible.
- Use ductwork with a wide radius.
- The exhaust duct must not be bent or compressed.
- Make sure all connections are secure.
- Where the ductwork is horizontal, it must slope away from the hood at least $\frac{1}{8}$ " per foot (1 cm per meter) to prevent condensation dripping into the appliance.
- If the exhaust is ducted through an outside wall, a Telescopic Wall Vent can be used (optional accessory).

- If the exhaust is ducted into an inactive flue, the air must be expelled parallel to the flow direction of the flue.



Never connect an exhaust hood to an active chimney, dryer vent, flue, or room venting ductwork. Seek professional advice before connecting an exhaust hood vent to an existing, inactive chimney or vent flue.

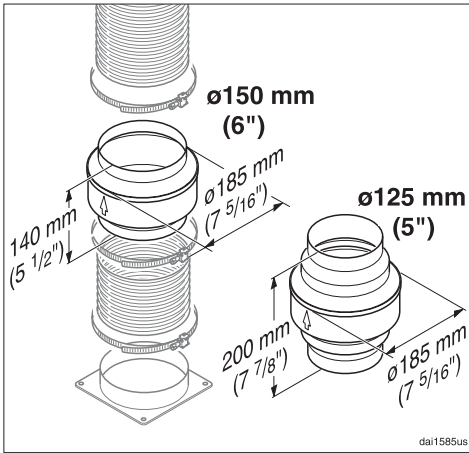
Important!

If the ductwork runs through rooms, ceilings, garages, etc. where temperature variations exist, it may need to be insulated to reduce condensation.

Exhaust ducting

Condensate trap

(optional accessory)



In addition to appropriate insulation of the exhaust ducting, we recommend installing a condensate trap to collect and evaporate any condensation which may develop. This is available for ducts $\text{Ø} 5''$ (125 mm) or $\text{Ø} 6''$ (150 mm).

When installing a condensate trap, ensure that it is positioned vertically and if possible directly above the exhaust outlet of the ventilation hood. The arrow on the casing indicates the exhaust flow direction.

DA 1160, DA 1180

Maximum load	380 W
Fan motor	2 x 140 W
Overhead lights	2 x 50 W
Voltage	120 V
Frequency	60 Hz
Fuse rating	15 A
Length of the power cord	6' 6 ³ / ₄ " (2 m)
Weight	
DA 1160	24.7 lbs (11.2 kg)
DA 1180	28.4 lbs (12.9 kg)

Required for recirculation mode:

**1 x odor-free filter: Miele DKF18-1
active charcoal filter**

**Please have the model and serial number
of your appliance available before
contacting Technical Service.**



**U.S.A.
Miele, Inc.**

National Headquarters

9 Independence Way
Princeton, NJ 08540
Phone: 800-843-7231
609-419-9898
Fax: 609-419-4298
www.mieleusa.com

**Technical Service & Support
Nationwide**

Phone: 800-999-1360
Fax: 888-586-8056

TechnicalService@mieleusa.com

**Canada
Miele Limited**

Headquarters and Showroom

161 Four Valley Drive
Vaughan, ON L4K 4V8
Phone: 800-643-5381
Fax: 905-532-2290
www.miele.ca
professional@miele.ca
(commercial enquiries)

MieleCare National Service

Phone: 800-565-6435
905-532-2272
Fax: 905-532-2292
customercare@miele.ca
(general and technical enquiries)



www.miele-shop.com