

# Miele

## Operating and Installation Instructions



### Ventilation System

DA 2280

DA 2210

To prevent accidents  
and appliance damage,  
read these instructions

**before**

installation or use.

en - US, CA

M.-Nr. 07 773 240

# Contents

---

<b>IMPORTANT SAFETY INSTRUCTIONS</b> . . . . .	3
<b>Functional description</b> . . . . .	7
<b>Guide to the Ventilation System</b> . . . . .	8
<b>Operation</b> . . . . .	10
Joystick . . . . .	10
Turning on the fan . . . . .	10
Selecting the power level. . . . .	10
Delayed Shut Down . . . . .	11
Turning off the fan . . . . .	11
Overhead lighting . . . . .	12
Filter timers . . . . .	13
Checking the filter timers. . . . .	13
Reprogramming the timers . . . . .	14
<b>Cleaning and care</b> . . . . .	16
Cleaning the casing. . . . .	16
Grease filters . . . . .	17
Active charcoal filter . . . . .	19
Changing the light bulb . . . . .	20
<b>After Sales Service</b> . . . . .	21
<b>Installation instructions</b> . . . . .	23
<b>Caring for the environment</b> . . . . .	24
<b>Appliance dimensions</b> . . . . .	25
Distance between cooktop and hood (S) . . . . .	27
<b>Installation</b> . . . . .	28
Installing the joystick . . . . .	31
Joystick extension . . . . .	31
Electrical connection . . . . .	32
<b>Air extraction</b> . . . . .	33
<b>Electrical connection</b> . . . . .	35
<b>Technical data</b> . . . . .	36

# IMPORTANT SAFETY INSTRUCTIONS

## READ AND SAVE THESE INSTRUCTIONS

Keep these instructions in a safe place and pass them on to any future user.

Read these instructions carefully before installing or using the Ventilation System.

- ▶ This appliance is intended for residential use only. Use the appliance only for its intended purpose.
- ▶ This appliance complies with current safety requirements. Improper use of the appliance can lead to personal injury and material damage.

**⚠ CAUTION**  
**For General Ventilating Use Only. Do Not Use To Exhaust Hazardous Or Explosive Materials And Vapors.**

- ▶ This appliance is designed to vent cooking smoke and odors only.
- ▶ This appliance is suitable for installation above gas or electric cooking surfaces.
- ▶ This appliance is not intended for outdoor use.
- ▶ This appliance must not be used in a non-stationary location (e.g. on a ship).

**⚠ WARNING**  
**TO REDUCE THE RISK OF FIRE, ELECTRIC SHOCK, OR INJURY TO PERSONS, OBSERVE THE FOLLOWING:**

- ▶ a) Use this appliance only in the manner intended by the manufacturer. If you have questions, contact Miele.
- ▶ b) Before servicing or cleaning the appliance, switch power off at the service panel and lock the service disconnecting means to prevent power from being switched on accidentally. If the service disconnecting means cannot be locked, securely fasten a prominent warning device, such as a tag, to the service panel.
- ▶ c) Be certain your appliance is properly installed and grounded by a qualified technician. To guarantee the electrical safety of this appliance, continuity must exist between the appliance and an effective grounding system. It is imperative that this basic safety requirement be met. If there is any doubt, have the electrical system of the house checked by a qualified electrician.

# IMPORTANT SAFETY INSTRUCTIONS

---

▶ d) Before connecting the appliance to the power supply make sure that the voltage and frequency listed on the data plate correspond with the household electrical supply. This data must correspond to prevent appliance damage. If in doubt consult a qualified electrician.

▶ e) Installation work and repairs should only be performed by a qualified technician in accordance with all applicable codes and standards. Repairs and other work by unqualified persons could be dangerous.

▶ f) Only open the housing as described in the enclosed "Installation diagram" and in the "Cleaning and care" section of this manual. Under no circumstances should any other parts of the housing be opened. Tampering with electrical connections or components and mechanical parts is highly dangerous to the user and can cause operation faults.

▶ g) Before discarding an old appliance, disconnect it from the power supply and remove the power cord to prevent hazards.

## Use

### **WARNING** **TO REDUCE THE RISK OF A COOKTOP GREASE FIRE:**

▶ a) Never leave surface units unattended at high settings. Boilovers cause smoking and greasy spillovers may ignite. Heat oils slowly on low or medium settings.

▶ b) Always turn the hood on when cooking at a high heat.

▶ c) Clean the ventilation hood frequently. Grease should not be allowed to accumulate on the fan or filter.

▶ d) Use the proper pan size. Always use cookware appropriate for the size of the cooking area.

▶ e) Do not flambé or grill with an open flame beneath the hood. Flames could be drawn up into the hood by the suction and the grease filters may catch fire.

# IMPORTANT SAFETY INSTRUCTIONS

**⚠ WARNING**  
**TO REDUCE THE RISK OF INJURY TO PERSONS IN THE EVENT OF A COOKTOP GREASE FIRE, OBSERVE THE FOLLOWING\*:**

▶ a) **SMOTHER FLAMES** with a close fitting lid, cookie sheet, or metal tray then turn off the burner.

**BE CAREFUL TO PREVENT BURNS.** If the flames do not go out immediately, **EVACUATE AND CALL THE FIRE DEPARTMENT.**

▶ b) **NEVER PICK UP A FLAMING PAN** - You may be burned.

▶ c) **DO NOT USE WATER**, including wet dishcloths or towels - a violent steam explosion will result.

▶ d) Use a fire extinguisher **ONLY** if:

1) You have a class ABC extinguisher, and you know how to operate it.

2) The fire is small and contained in the area where it started.

3) The fire department is being called.

4) You can fight the fire with your back to an exit.

\* Based on "Kitchen Firesafety Tips" published by NAFTA

▶ Do not allow children to play with or operate the appliance or its controls. Supervise its use by the elderly or infirm.

▶ Always turn on the hood when using the cooktop to prevent damage from condensation.

▶ Never operate gas burners without cookware. Turn the burner off when not in use. Adjust the burner so that the flames do not extend beneath the cookware. Do not overheat the cookware, e.g. when using a wok. The hood can be damaged due to excessive heat from the burners and the cookware.

▶ Do not use the hood without the grease filters in place.

▶ Do not use a steam cleaner to clean the hood. Steam could penetrate electrical components and cause a short circuit.

# IMPORTANT SAFETY INSTRUCTIONS

---

## Installation

**⚠ WARNING**  
**TO REDUCE THE RISK OF**  
**FIRE, ELECTRIC SHOCK, OR**  
**INJURY TO PERSONS,**  
**OBSERVE THE FOLLOWING:**

- ▶ a) Installation work and electrical wiring must be done by qualified person(s) in accordance with all applicable codes and standards, including fire-rated construction.
- ▶ b) Sufficient air is needed for combustion and exhausting of gases through the flue (chimney of fuel burning equipment to prevent back drafting. Follow the heating equipment manufacturer's guideline and safety standards such as those published by the National Fire Protection Association (NFPA) and the American Society for Heating, Refrigeration and Air Conditioning Engineers (ASHRAE), and the local code authorities.
- ▶ c) When cutting or drilling into the wall or ceiling, do not damage electrical wiring and other hidden utilities.
- ▶ d) Ducted hoods must always be vented to the outdoors.
- ▶ e) Do not use this hood with any solid-state speed control device.
- ▶ f) Do not use an extension cord to connect the appliance to electricity. Extension cords do not guarantee the required safety of the appliance, (e.g. danger of overheating).

▶ g) Do not install this hood over cooktops that burn solid fuel.

▶ h) Provided a larger distance is not given by the manufacturer of the cooktop, follow the minimum safety distances between a cooktop and the bottom of the hood given in the "Appliance dimensions" section of this manual.

If local building codes require a greater safety distance, follow their requirement.

If there is more than one appliance beneath the hood and they have different minimum safety distances always select the greater distance.

▶ i) Never connect an exhaust hood to an active chimney, dryer vent, vent flue, or room ventilating ductwork.

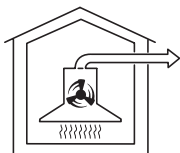
▶ j) Seek professional advice before connecting an exhaust hood vent to an existing, inactive chimney or vent flue.

▶ k) Any fittings, sealant, or materials used to install the ductwork must be made of approved non-flammable materials.

**⚠ WARNING**  
**TO REDUCE THE RISK OF**  
**FIRE USE ONLY METAL**  
**DUCTWORK.**

The ventilation hood offers two modes of operation:

### Air extraction



The air is drawn in and cleaned by the grease filters and directed outside.

The hood comes equipped with a **non-return flap**. This flap automatically closes when the hood is turned off so that no exchange of outside air and room air can occur. When the hood is turned on, the air pressure of the exhaust fan automatically opens the flap blowing the inside air and cooking odors outside.

The DA 2280 is equipped with one non-return flap, the DA 2210 comes with two non-return flaps.

### Recirculation mode

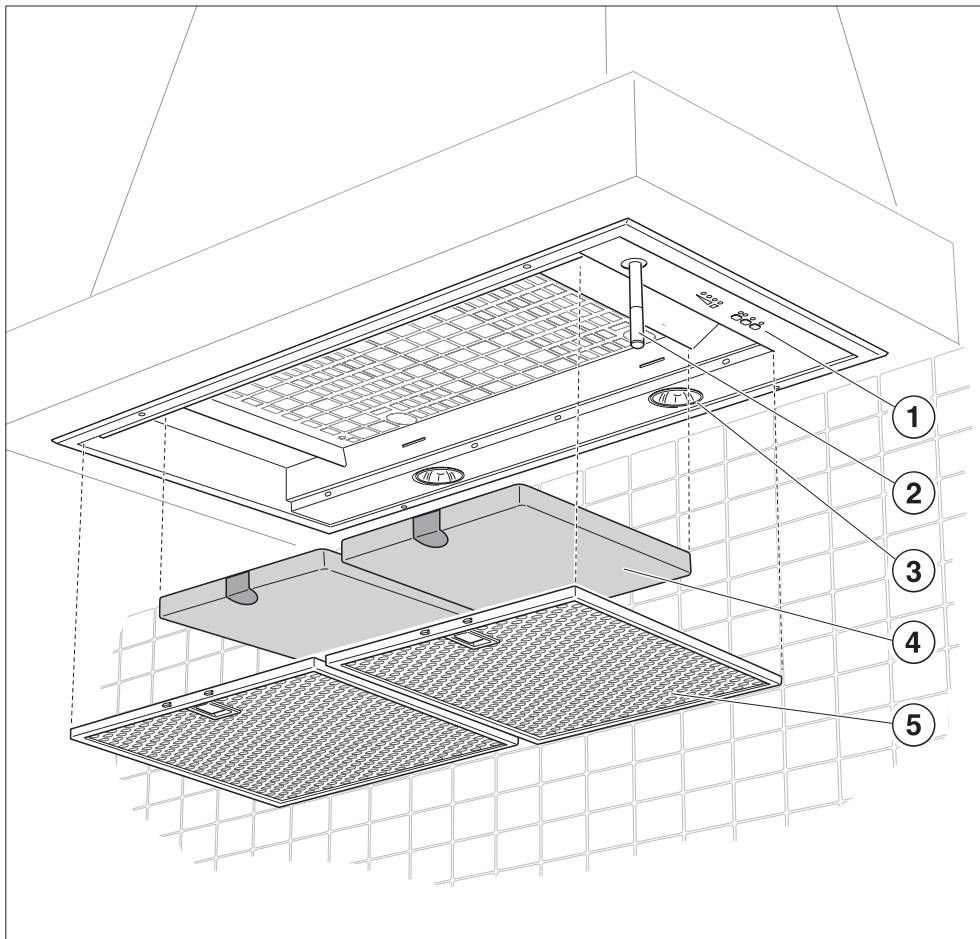


Air is drawn through the grease filters and **active charcoal filters**. The filtered air is then recirculated back into the kitchen.

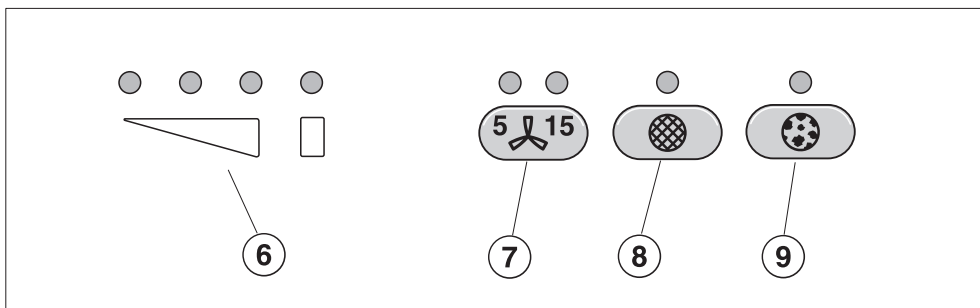
The active charcoal filter and the installation kit may be purchased from Miele.

Before using the hood in recirculation mode, ensure that the active charcoal filters are in place, see "Cleaning and Care".

# Guide to the Ventilation System



0132140





## ① Control panel

## ② Joystick

The fan and light can be operated with the joystick.

## ③ Overhead lighting

## ④ Charcoal filters

optional accessory for recirculation mode

DA 2280: 2 filters

DA 2210: 4 filters

## ⑤ Grease filters

## ⑥ Fan power selection

## ⑦ Delayed Shut Down

This button activates the Delayed Shut Down feature. The fan can be set to turn off automatically after either 5 or 15 minutes.

## ⑧ Grease filter button

The indicator next to the grease filter button lights when the grease filters need to be cleaned. This button is also used:

- to reset the grease filter timer after cleaning the grease filters (see "Cleaning and Care").
- to show how long the grease filters have been in use (see "Operation/Filter timers").
- to change the number of hours counted by the grease filter timer (see "Operation/Reprogramming the timers").

## ⑨ Charcoal filter button

The indicator next to the charcoal filter button lights when the charcoal filters need to be replaced.

This button is also used:

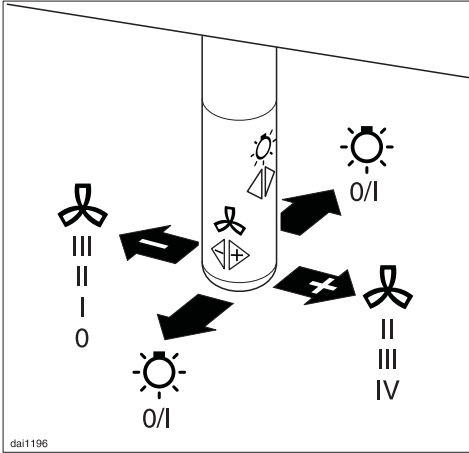
- to reset the charcoal filter timer after changing the filter (see "Cleaning and care").
- to show how long the charcoal filters have been in use (see "Operation/Filter timers").
- to change the number of hours counted by the charcoal filter timer (see "Operation/Reprogramming the timers").

# Operation

## Joystick

The joystick controls the fan power and overhead lighting.

## Turning on the fan



- Press the joystick once to the right.



The fan runs at power level "2" and the second indicator of the fan power scale lights.

## Selecting the power level

- Press the joystick to the right, to increase the fan speed. Press it to the left to decrease the fan speed.

The corresponding fan power indicator lights.

Level "1" to "3" are usually sufficient for normal cooking.

## Intensive setting



Level "4" should be used for a short period when frying or cooking food with a strong aroma.

## Fan performance

### DA 2280

The maximum air flow capacity is 425 cfm. Factors such as narrow duct diameters and bends will affect this value.

### DA 2210

The maximum air flow capacity is 850 cfm. Factors such as narrow duct diameters and bends will affect this value.

Level 1 operates at 40% capacity

Level 2 operates at 60% capacity

Level 3 operates at 80% capacity

Level 4 operates at 100% capacity

There will also be a slight decrease in airflow for hoods operated in recirculation mode due to the active charcoal filters.

## Automatically switching back to the "Intensive" setting

The intensive level "4" can be programmed to automatically switch back to level "3" after 10 minutes.

- Turn the fan and the lights off.
- Press and hold the Delay Shut Down button for 10 secs. The first indicator of the fan power levels lights.
- Press the joystick once either backwards or forwards.

The second indicator lights.

- Press the joystick once to the left.

The third indicator lights.

- Press the joystick again either once backwards or once forwards.

If the power level indicators "1" and "4" flash the automatic switch back is not activated.

## To activate the automatic switch back

- Press the joystick once to the right.

The power level indicators "1" and "4" light.

## To deactivate the automatic switch back

- Press the joystick once to the left.
- Press the Delay Shut Down button to confirm the setting.

## Delayed Shut Down

If odors or smoke remain in the kitchen after cooking has been completed, the Delayed Shut Down feature can be selected to allow the hood to continue running for either 5 or 15 minutes.



- Press the Delayed Shut Down button while the fan is still running:

Press once = 5 minutes delay (left indicator lights)

Press twice = 15 minutes delay (right indicator lights)

- To cancel the Delayed Shut Down feature press the button again.

## Turning off the fan

- Hold the joystick to the left until the fan shuts off and the fan power indicators go out.

## Automatic Safety Shut Off

The fan will turn off automatically 10 hours after the last movement of the joystick. The lighting remains on.

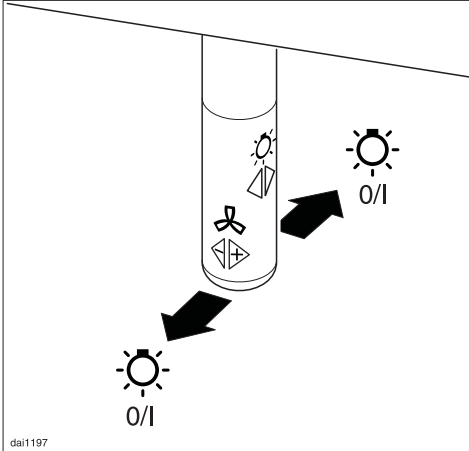
- Press the joystick once to the right to turn the fan back on again.

# Operation

---

## Overhead lighting

The overhead lighting can be turned on and off independently of the fan.



- To turn the light on or off, press the joystick either once backwards or once forwards.

## Dimming the lighting

The brightness of the lighting can be adjusted.

- While the lighting is turned on, press and hold the joystick backwards or forwards. The lighting will dim until the joystick is released.
- If the joystick is pressed again, the lighting will brighten until the joystick is released.

If the joystick is pressed continuously, the light will cycle between bright and dark.

## Filter timers

### Grease filter timer

A timer monitors the hours of operation. The indicator for the grease filter will light after 30 hours of fan operation. The grease filters must then be cleaned.

After the grease filters have been cleaned and put back in place, the grease filter timer must be reset.



- To do this press the grease filter button for about 3 seconds.

The indicator will go out.

To change the hours of operation, see "Reprogramming the timers".

### Charcoal filters

The timer for the charcoal filter is not preset. To program this timer, see "Operation / Reprogramming the charcoal filter timer". The charcoal filter indicator will light, once the selected time has elapsed. The **charcoal filters** must then be replaced and the charcoal filter timer must be reset.



- To do this, press the charcoal filter button for about 3 seconds.

The indicator will go out.

## Checking the filter timers

To check the percentage of time set already used:

- Press the joystick to the left to turn the fan on.



- Press the grease filter or charcoal filter button.

The number of flashing indicators show the percentage of programmed hours that have been used.

- 1 indicator = 25 %
- 2 indicators = 50 %
- 3 indicators = 75 %
- 4 indicators = 100 %

This information will remain stored in memory in the event of a power failure.

# Operation

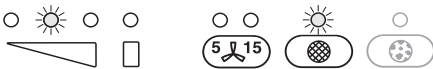
## Reprogramming the timers

The grease filter timer is preset to 30 hours. This time can be lengthened or shortened to 20, 30, 40 or 50 hours.

- A time of 20 hours should be programmed in kitchens with frequent pan or deep frying.
- A time of 20 hours should also be programmed if the kitchen is only used occasionally. Otherwise grease which has accumulated over a long period of time will harden on the filters making cleaning more difficult.

## Reprogramming the grease filter timer

- Press the joystick to the left to turn the fan off.

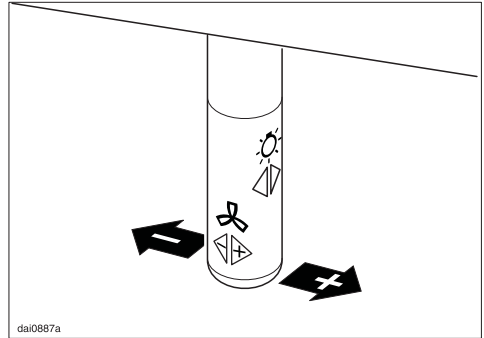


- Press the Delayed Shut Down and the grease filter buttons at the same time.

The grease filter indicator and one of the fan power indicators will flash.

The fan power indicators show the programmed time:

- 1st indicator from the left = 20 hours
- 2nd indicator from the left = 30 hours
- 3rd indicator from the left = 40 hours
- 4th indicator from the left = 50 hours



- Use the joystick to select the desired time. Press it to the left for a shorter operating time, to the right for a longer operating time.



- Store the selection by pressing the grease filter button.

All indicators will go out.

If the procedure is not stored within 4 minutes of programming the hood will automatically default to the "old" data.

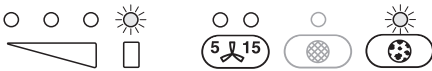
## Reprogramming the charcoal filter timer

The active charcoal filters can only be used in recirculation mode and cannot be used to exhaust fumes.

The charcoal filter timer is **not preset**.

Before using the hood in recirculation mode, the charcoal filter timer must be programmed.

- Press the joystick to the left to turn the fan off.

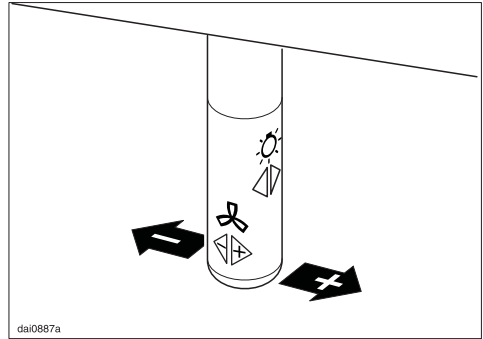


- Press the Delayed Shut Down and charcoal filter buttons at the same time.

The indicator for the charcoal filter and one of the fan power scale indicators will flash.

The indicators of the fan power scale show the programmed time:

- 1st indicator from the left = 120 hours
- 2nd indicator from the left = 180 hours
- 3rd indicator from the left = 240 hours
- 4th indicator from the left = unlimited



- Use the joystick to select the desired time. Press it to the left for a shorter operating time, to the right for a longer operating time.



- Store the selection by pressing the charcoal filter button.

All indicators will go out.

If the procedure is not stored within 4 minutes of programming, the hood will automatically default to the "old" data.

## Cleaning and care

---

**⚠ WARNING**  
**TO REDUCE THE RISK OF**  
**FIRE, ELECTRIC SHOCK, OR**  
**INJURY TO PERSONS,**  
**OBSERVE THE FOLLOWING:**

Before cleaning or servicing the hood, disconnect it from the power supply, see "Important Safety Instructions".

**⚠** The halogen bulbs are very hot when in use. They stay hot for some time after turned off. Use caution, danger of burns.  
Wet cleaning the hot bulbs will cause damage.  
Wait a few minutes after turning them off before cleaning.

### Cleaning the casing

Never use abrasive cleaners, scouring pads, steel wool or caustic (oven) cleaners on the hood. They **will** damage the surface.

- All external surfaces and controls can be cleaned with a mild solution of warm water and liquid dish soap applied with a soft sponge.
- Wipe dry using a soft cloth.

Do not use too much water when cleaning the controls. Water could penetrate into the electronics and cause damage.

Avoid:

- cleaning agents containing soda, acids or chlorides,
- abrasive cleaning agents e.g. powder or cream cleansers,
- abrasive sponges, e.g. pot scourers or sponges which have been previously used with abrasive cleaning agents,
- limescale removers.

These will damage the surface.

### Stainless steel colored controls

These controls may become discolored or damaged if not cleaned regularly.  
Do not use a stainless steel cleaner on these controls.




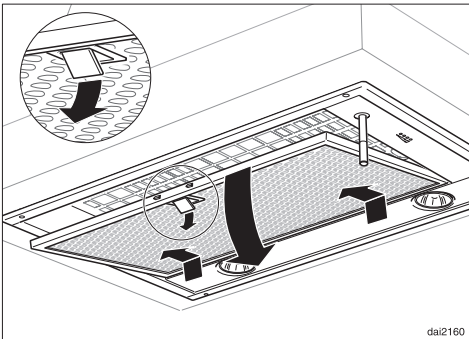
## Grease filters

The reusable metal grease filters remove solid particles from the vented kitchen air (grease, dust, etc).



The grease filters should be cleaned every 3 - 4 weeks, when the grease filter indicator lights, or when they are visibly dirty, whichever comes first.

 A dirty filter is a fire hazard.



■ To remove the grease filters pull the locking clips forward. Lower the filter 45° unhook it at the rear and take it out. Support the grease filters so that they do not fall onto the cooktop.

## Cleaning the grease filters

■ **By hand:** use a scrub brush with a solution of warm water and mild detergent.

Do not use pure detergent, aggressive all purpose cleaners, oven sprays or limescale removers. They could destroy the filters.

■ **In a dishwasher:** place the filters vertically in the lower basket, making sure that the spray arm is not blocked.

Use a wash program with a max. temperature of 150°F (65°C). In a Miele dishwasher use the "Normal" program.

Use the recommended amount of dishwasher detergent. Overuse could destroy the filter.

Depending on the detergent, cleaning the grease filters in a dishwasher may cause permanent discoloration of the filter surface. Performance of the filter will not be affected by this discoloration.

■ After cleaning, the filters can be placed on a towel to air dry.

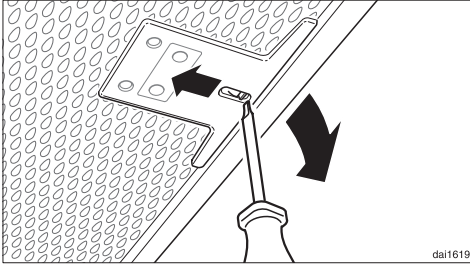
■ While the filters are removed, clean any dirt or grease from the filter casing to prevent the risk of fire.

# Cleaning and care

---

## Inserting the grease filters

When putting the grease filters back make sure that the locking clips are visibly facing the cooking surface.



If the filters are incorrectly installed, insert a small screwdriver into the slit along its edge to disengage it from the casing.

- After returning the grease filters, press and hold the grease filter button for 3 seconds to reset the timer. The indicator light will go out.
- If the grease filters are cleaned before the grease filter timer has reached its maximum, press the grease filter button for 6 seconds to reset the counter to zero.

## Active charcoal filter

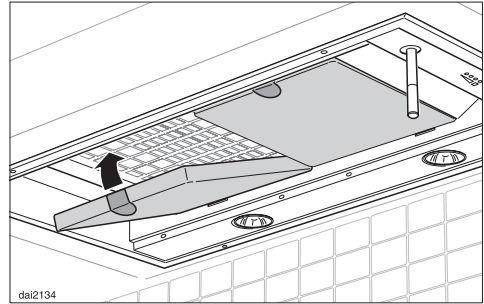
DA 2280 uses 2 active charcoal filters  
DA 2210 uses 4 active charcoal filters

In recirculation mode active charcoal filters must be used in addition to the grease filters. It is designed to absorb cooking odors.

The active charcoal filters will be replaced in the canopy above the grease filters.

Replacement active charcoal filters can be ordered from Miele.

- Remove the grease filters to access the charcoal filters. See "Cleaning and Care - Grease filters".



- Insert the charcoal filters.

Before using:

- Program the charcoal filter timer, see "Operation / Reprogramming the charcoal filter timer".



Replace the active charcoal filters when the **charcoal filter indicator** lights, at least every 6 months or when they no longer absorb odors efficiently.

- After replacing the charcoal filters, press and hold the charcoal filter button for about 3 seconds to reset the charcoal filter timer. The indicator light will go out.
- If the charcoal filters are replaced before the timer has reached its maximum, the charcoal filter button should be pressed for 6 seconds to reset the counter to zero.

# Cleaning and care

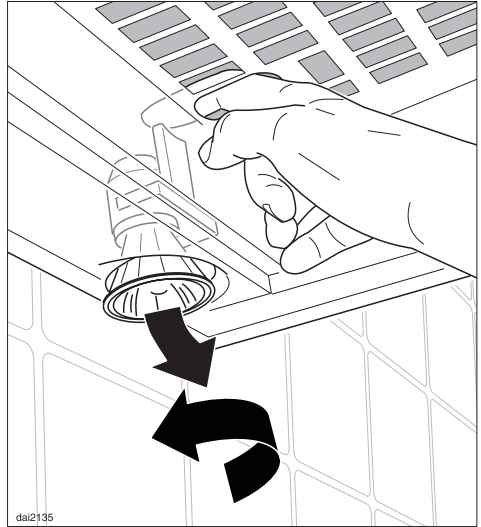
## Changing the light bulb

**⚠ WARNING**  
**TO REDUCE THE RISK OF**  
**FIRE, ELECTRIC SHOCK, OR**  
**INJURY TO PERSONS,**  
**OBSERVE THE FOLLOWING:**

Before changing the light bulbs, disconnect the hood from the power supply, see "Important Safety Instructions".

When in use halogen bulbs become extremely hot, and they can burn your hands. Do not attempt to change the bulbs until they have had sufficient time to cool down. Do not touch the bulb surface. Fingerprints or body oils deposited on the bulb will decrease the life of the bulb. Follow the bulb manufacturer's instructions.

- Remove the grease filters.
- If existent remove the active charcoal filters.



- Reach through the grille opening and push the light fixture downwards.
- Turn the bulb counterclockwise and pull it out of its socket.
- Replace the bulb with a new one (GU/GZ 10, 120V, 50W) in the reverse order and push upwards.
- Return the grease filters and if existent the active charcoal filters.

## Repairs

In the event of a fault which you cannot easily fix yourself, please contact the Miele Technical Service Department.

- When contacting the Technical Service Department, please quote the model and serial number of your appliance.

These are shown on the data plate which is visible when the grease filters are removed.

## MieleCare

(USA only)

**MieleCare**, our Extended Service Contract program, gives you the assurance of knowing that your appliance investment is covered by 5 years of worry free ownership.

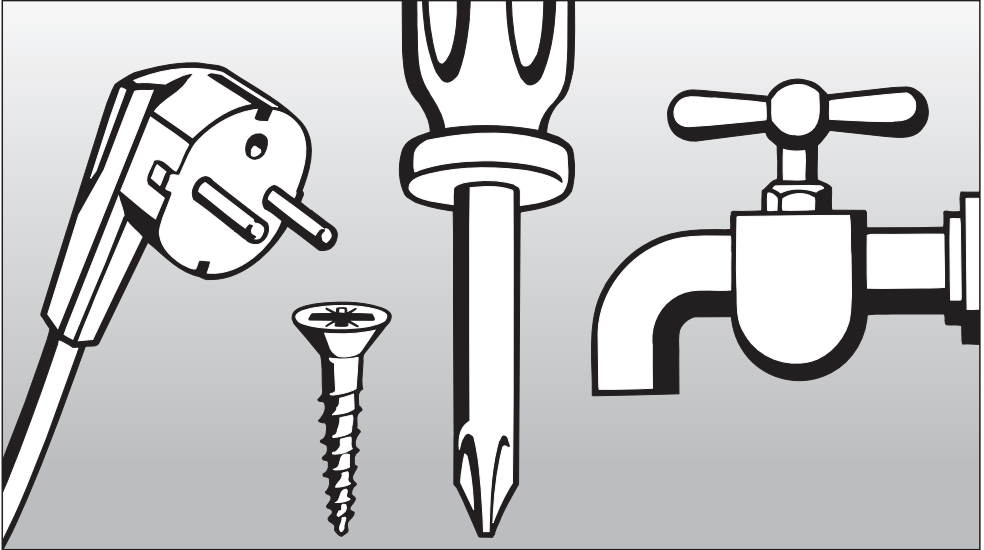
**MieleCare** is the only Extended Service Contract in the industry that guarantees repairs by a Miele Authorized Service Provider using genuine Miele parts. Only genuine Miele parts installed by factory trained professionals can guarantee the safety, reliability, and longevity of your Miele appliance.

Please note that unless expressly approved in writing by Miele's Service department, Extended Service Contracts offered by other providers for Miele products will not be recognized by Miele. Our goal is to prevent unauthorized (and untrained) service personnel from working on your Miele products, possibly doing further damage to them, you and/or your home.

To learn more about **MieleCare** Extended Service Contracts, please contact your appliance dealer or visit us online at:

**<http://mieleusa.com/mielecare>**





## Installation Instructions

Read these instructions and the "Important Safety Instructions" before installing this ventilation system.

The installation steps are described in the enclosed "Installation Diagram".

Leave these instructions with the appliance for the consumer/user.

Information is subject to change. Please refer to our website to obtain the most current product specification, technical & warranty information.

# Caring for the environment

---

## Disposal of packing material

The cardboard box and packing materials protect the appliance during shipping. They have been designed to be biodegradable and recyclable. Please recycle.



### **DANGER**

Ensure that any plastic wrappings, bags, etc., are disposed of safely and kept out of the reach of babies and young children. Danger of suffocation!

## Disposal of an old appliance

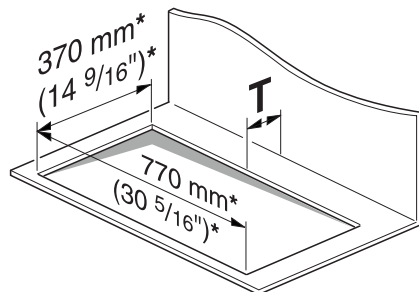
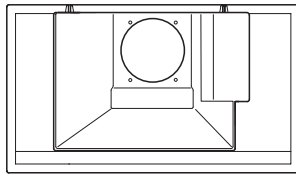
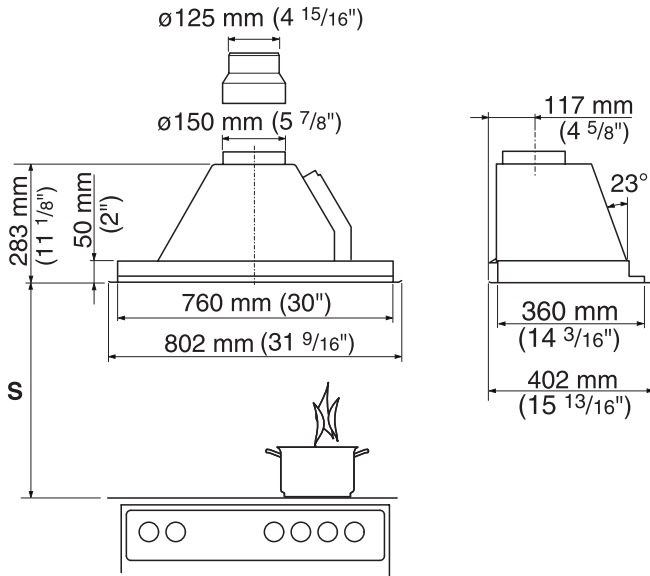
Old appliances may contain materials that can be recycled. Please contact your local recycling center about the possibility of recycling these materials.

Before discarding an old appliance, disconnect it from the electrical supply and cut off the power cord to prevent it from becoming a hazard.



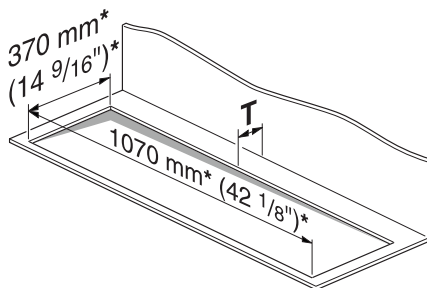
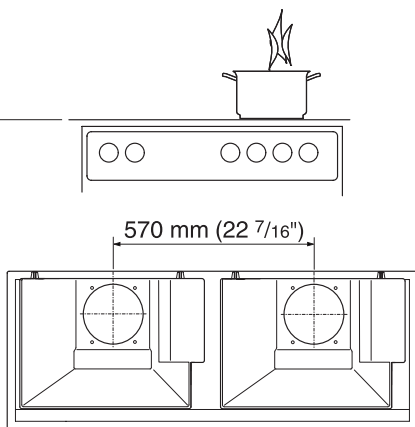
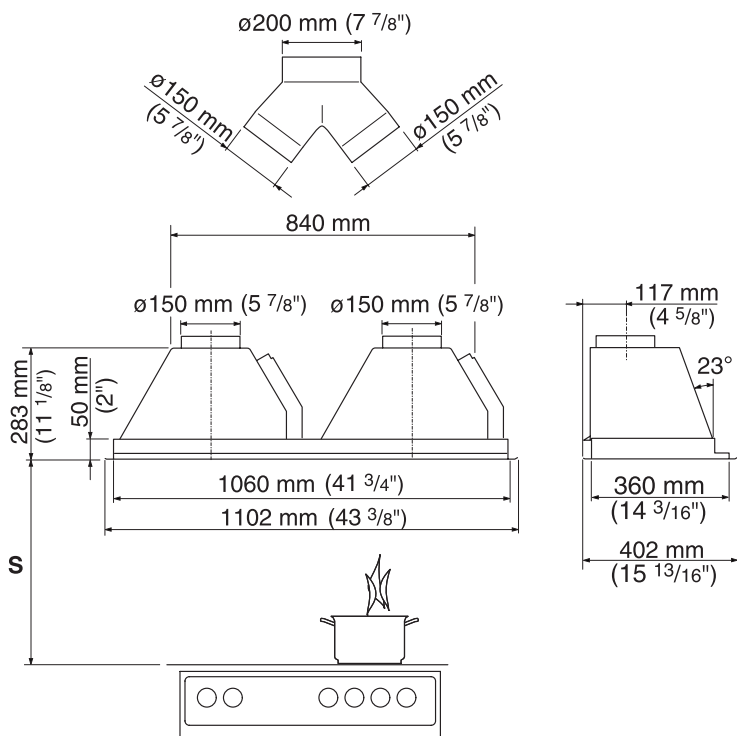
# Appliance dimensions

DA 2280



# Appliance dimensions

DA 2210



dai2116us

# Appliance dimensions

## \*Cut out dimensions

A depth **T**, min. 1" (25 mm), is necessary in the rear of the cabinet.

## Distance between cooktop and hood (S)

Do not install this exhaust hood over cooktops burning solid fuel.

Provided a larger distance is not given by the manufacturer of the cooktop, follow the minimum safety distances between a cooktop and the bottom of the hood:

	<b>Miele Cooktops</b>	<b>Non-Miele Cooktops</b>
Electric Cooktops	24" (610 mm)	
Electric Barbeques and Fryers	26" (660 mm)	
Multiburner Gas cooktops ≤ 43,000 BTU (12.6 KW) and no burner > 15,000 BTU (4.5 KW)	26" (660 mm)	30" (760 mm)
Single burner (Wok) ≤ 20,500 BTU (6 KW)	26" (660 mm)	30" (760 mm)
All other gas cooktops	30" (760 mm)	

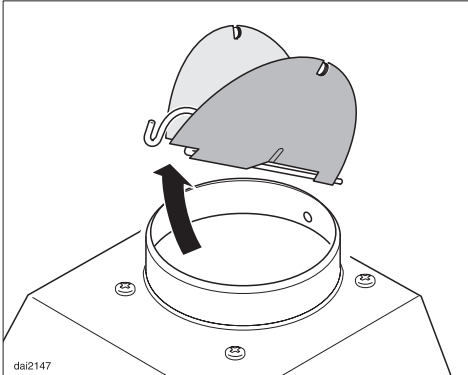
- If several gas surfaces are installed under the hood, the total output must be considered when determining the minimum safety distance.
- If installing the exhaust hood in an overhead cabinet, observe the instructions of the manufacturer of the gas cooktop regarding the use of very flammable materials above the cooktop. If not otherwise specified in the instructions, ensure a distance of at least 30" (762 mm) from the gas cooktop.
- If local building codes require a greater safety distance, follow their requirement.
- If there is more than one appliance beneath the hood and they have different minimum safety distances always select the greater distance.

See "Important Safety Instructions" for further information.

# Installation

- Please read the "Important Safety Instructions" and Installation instructions before installing this hood.

## Non-return flap



The hood comes equipped with a **non-return flap**. This flap automatically closes when the hood is turned off so that no exchange of outside air and room air can occur.

Uninstall the non-return flap when your exhaust system is equipped with a non-return flap or if the hood is used in recirculation mode.

- Holding the non-return flap at the wire, pull it out of the bracket.

The DA 2280 is equipped with one, the DA 2210 with two non-return flaps.

### CAUTION

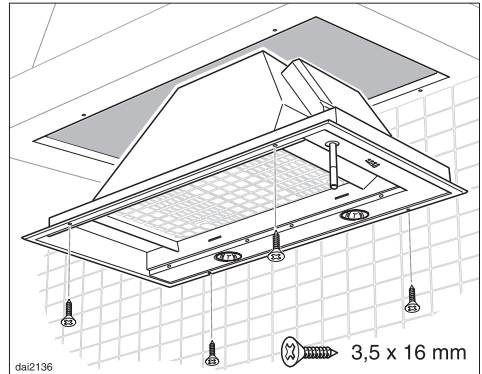
To avoid risk of hand or other injury, avoid contact with sharp edges during the assembly and installation process.

## Installation

The hood is designed to be installed within cabinetry and kitchen islands.

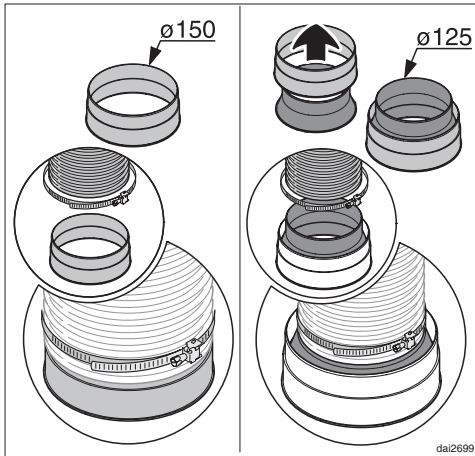
The top half (motor and fan assembly) should be accessible after installation.

If the motor and fan assembly are not accessible, assemble the ductwork and the electrical connection **before** the installation.

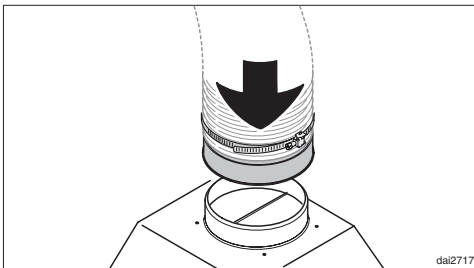


- Insert and align the hood from the bottom up in the cut out.
- Secure the hood through the frame with the screws (3.5 x 16 mm).

## Preparation for air extraction mode



- If using a 6" (150 mm) diameter exhaust hose, attach the supplied vent collar to the exhaust hose with a hose clamp.
- If using a 5" (125 mm) diameter exhaust hose, place the supplied reducing collar into the vent collar and attach the exhaust hose to the reducing collar with a hose clamp. (see "Air extraction").

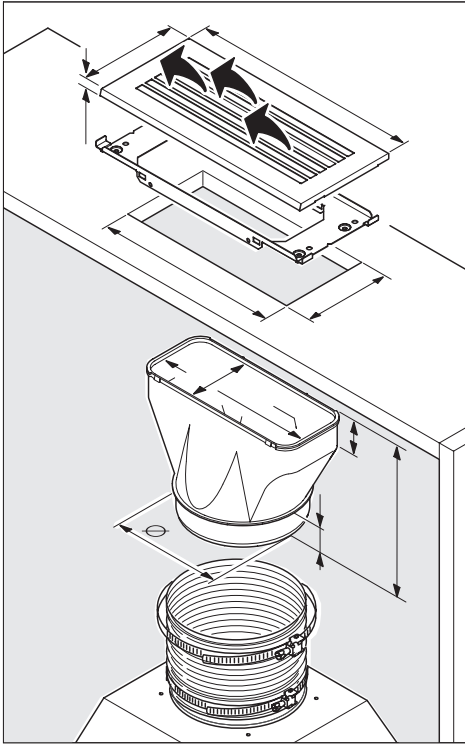


- Place the exhaust hose onto the vent collar of the hood.

- See "Air extraction" for further information on installing the exhaust hose.
- DA 2210: The hood has two vent collars for two 6" (150 mm) diameter exhaust hoses. The supplied Y-adaptor can be used to feed the exhaust from both connections into an 8" (200 mm) diameter common duct.

# Installation

## Recirculation mode



If site conditions are not suitable for the hood to be used for air extraction, the appliance must be converted for recirculation using the following installation kit. It can be ordered from your Miele dealer or the Technical Service Dept.

It contains a 6" (150 mm) diameter hose, a grille and a hose clamp to secure the hose at the exhaust connection of the hood.

### DA 2280 installation needs

one installation kit and two active charcoal filters

### DA 2210 installation needs

two installation kits and four active charcoal filters

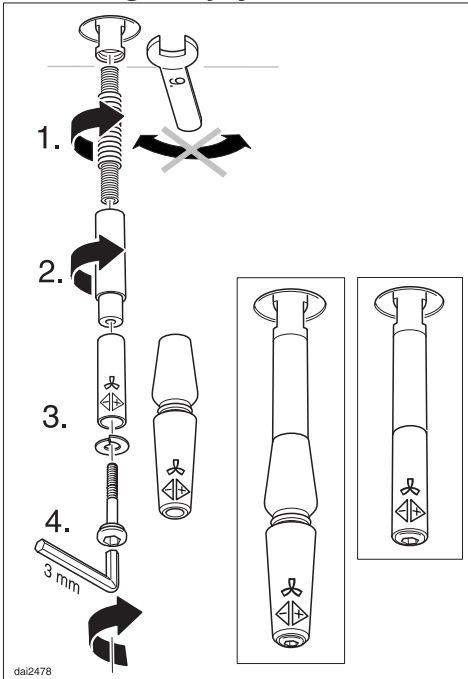
A non-return flap is not needed in recirculation mode.


- Install the installation kit according to the installation situation.

When installing the recirculation vents make sure that the slats point towards the center of the room and not to a wall or the ceiling.

- Install the active charcoal filters (see "Cleaning and Care") and reprogram the charcoal filter timer.

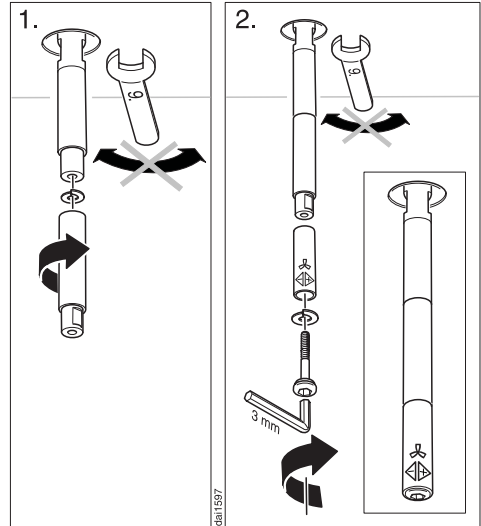
## Installing the joystick




- Screw the spring into the socket and tighten by hand. At the same time hold the socket using a SW 9 wrench, do not rotate.
- Screw the base onto the spring and tighten by hand. Again, hold the socket with the wrench, do not rotate.
- Place the bottom section of the joystick onto the base and loosely secure it in place with the included screw and spring washer. Turn the printing on the bottom section so that the -symbol faces the front.
- Tighten the screw with a 3 mm Allen wrench. At the same time hold the socket with the wrench, do not rotate.

## Joystick extension

The joystick can be extended for an easier reach.



- Place a spring washer between the joystick base and the extension. Tighten the extension by hand while holding the joystick base with a wrench.
- Attach the lower part of the joystick to the extension with a spring washer. Turn the -symbol to the front and screw in place with an allen wrench while using a wrench to hold the joystick base.

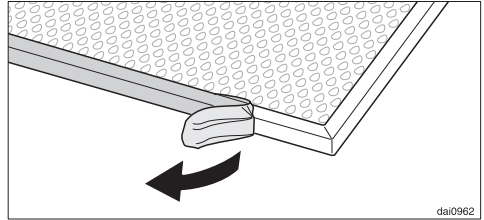
# Installation

---

## Electrical connection

Before connecting the appliance to power read the "Important Safety Instructions".

- Plug in the power cord.



Before using the appliance remove the grease filters and remove the protective foil from the filter frame. Insert the grease filters back into place.



 **WARNING**

**Danger of toxic fumes.**

**Gas cooking appliances release carbon monoxide that can be harmful or fatal if inhaled.**

**To reduce the risk of fire and to properly exhaust air, the exhaust gases extracted by the hood should be vented outside of the building only.**

**Do not vent exhaust air into spaces within walls or ceilings or in attics, crawl spaces or garages.**

**To reduce the risk of fire, only use metal ductwork.**

Please read and follow the **"IMPORTANT SAFETY INSTRUCTIONS"** to reduce the risk of personal injury. Follow all local building codes when installing the hood.

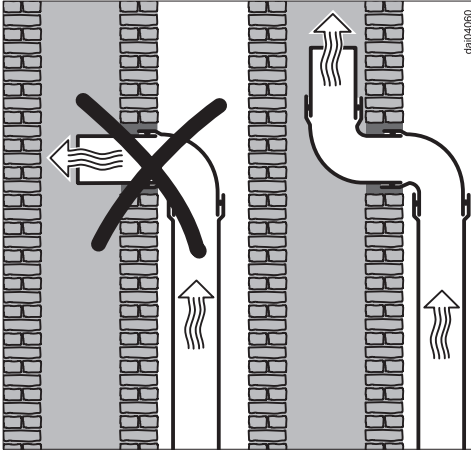
### Exhaust ducting and connections

Use smooth or flexible pipework made from approved non-flammable materials for exhaust ducting.

To achieve the most efficient air extraction and quietest noise levels, consider the following:

- The diameter of the ductwork should not be less than 6" (150 mm).
- If flat ducting is used, the cross section must not be smaller than the cross section of the ventilation exhaust.
- The ducting should be as short and straight as possible.
- Use ductwork with a wide radius.
- The exhaust duct must not be bent or compressed.
- Make sure all connections are secure.
- Where the ductwork is horizontal, it must slope away from the hood at least  $\frac{1}{8}$ " per foot (1 cm per meter) to prevent condensation dripping into the appliance.
- If the exhaust is ducted through an outside wall, a Telescopic Wall Vent can be used.

# Air extraction



- If the exhaust is ducted into an inactive flue, the air must be expelled parallel to the flow direction of the flue.

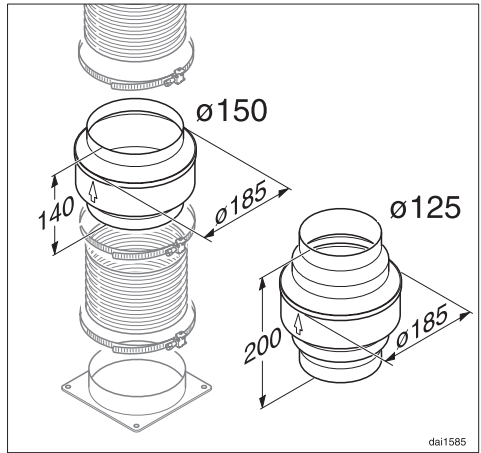
Never connect an exhaust hood to an active chimney, dryer vent, flue, or room venting ductwork. Seek professional advice before connecting an exhaust hood vent to an existing, inactive chimney or vent flue.

## Important

If the ductwork runs through rooms, ceilings, garages, etc. where temperature variations exist, it may need to be insulated to reduce condensation.

## Condensate trap

optional accessory



In some cases, a condensate trap may also be required to collect and evaporate any condensate which may occur. This optional accessory is available for ducts 5" (125 mm) and 6" (150 mm) in diameter.

When installing a condensate trap, ensure that it is positioned vertically and if possible directly above the exhaust outlet.

**⚠ WARNING**  
**TO REDUCE THE RISK OF**  
**FIRE, ELECTRIC SHOCK, OR**  
**INJURY TO PERSONS,**  
**OBSERVE THE FOLLOWING:**

All electrical work should be performed by a qualified electrician in strict accordance with national regulations (for USA: ANSI-NFPA 70) and local safety regulations. Installation, repairs and other work by unqualified persons could be dangerous. Ensure that power to the appliance is off while installation or repair work is performed.

- Verify that the voltage, load and circuit rating information found on the data plate (located behind the grease filters), match the household electrical supply before installing the hood.

**⚠ WARNING!** In Canada, the ventilation hood should be plugged into a outlet which is not enclosed in a cupboard, cabinet or similar enclosure per the Canadian Electrical Code.

If there is any question concerning the electrical connection of this appliance to your power supply, please consult a licensed electrician or call Miele's Technical Service Department. See back cover for contact information.

**⚠ WARNING:**  
**THIS APPLIANCE MUST BE**  
**GROUNDED**

## Grounding Instructions

This appliance must be grounded. In the event of an electrical short circuit, grounding reduces the risk of electric shock by providing a path of least resistance. This appliance is equipped with a cord having a grounding wire with a grounding plug. The plug must be plugged into an outlet that is properly installed and grounded.

**WARNING** - Improper grounding can result in a risk of electric shock.

If there is any doubt, have the electrical system of the house checked by a qualified electrician.

Do not use an extension cord. If the power supply cord is too short, have a qualified electrician install an outlet near the appliance.

## Important

The hood comes equipped with a 4 ft (1.2 m) power cord with a NEMA 5-15 molded plug for connection to a 120 VAC, 60 Hz, 15 A power outlet.

# Technical data

---

## DA 2280

Maximum load . . . . . 450 W  
Fan . . . . . 350 W  
Light . . . . . 2 x 50 W

## DA 2210

Maximum load . . . . . 900 W  
Fan . . . . . 2 X 350 W  
Light . . . . . 4 x 50 W

Voltage . . . . . 120 V  
Frequency . . . . . 60 Hz  
Circuit rating . . . . . 15 A

### Weight

DA 2280 . . . . . 23.1 lb (10.5 kg)  
DA 2210 . . . . . 35.3 lb (23.1 kg)







**Please have the model and serial number  
of your appliance available before  
contacting Technical Service.**

---



## **U.S.A. Miele, Inc.**

### **National Headquarters**

9 Independence Way  
Princeton, NJ 08540  
Phone: 800-843-7231  
609-419-9898  
Fax: 609-419-4298  
[www.mieleusa.com](http://www.mieleusa.com)

### **Technical Service & Support Nationwide**

Phone: 800-999-1360  
Fax: 888-586-8056

[TechnicalService@mieleusa.com](mailto:TechnicalService@mieleusa.com)

## **Canada Miele Limited**

### **Headquarters and Showroom**

161 Four Valley Drive  
Vaughan, ON L4K 4V8  
Phone: 800-643-5381  
905-660-9936  
Fax: 905-532-2290  
[www.miele.ca](http://www.miele.ca)  
[professional@miele.ca](mailto:professional@miele.ca)  
(commercial enquiries)

### **MieleCare National Service**

Phone: 800-565-6435  
905-532-2272  
Fax: 905-532-2292  
[customercare@miele.ca](mailto:customercare@miele.ca)  
(general and technical enquiries)

## **Germany**

Miele & Cie. KG  
Carl-Miele-Straße 29  
33332 Gütersloh

