

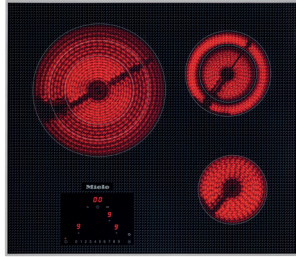
24" 3-Burner Electric Cooktop

KM 5820



24" 3-Burner Electric Cooktop

KM 5820



KM 5820

Features:

- New 3D glass design
- Direct Selection touch controls
- High-impact black Ceran glass surface with stainless steel frame
- Residual heat indicators for all zones
- Single and variable zones with over 25% increased power
- Auto-heat reduces heat-up time

SPECIFICATIONS

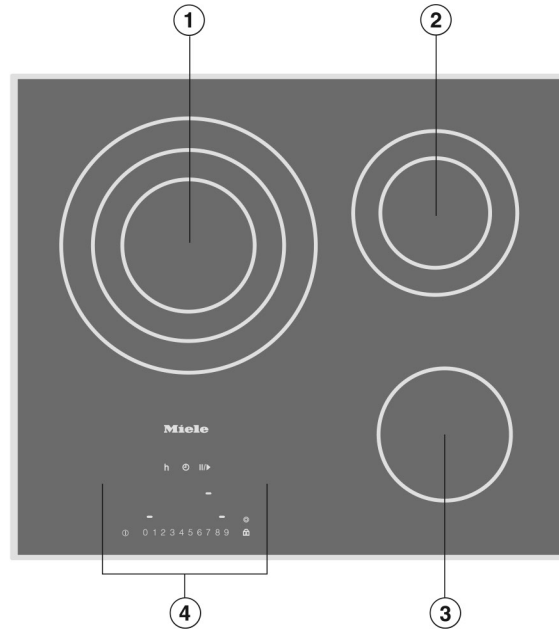
KM 5820 Electric Cooktop (240V)	Item 26582050USA
KM 5820 Electric Cooktop (208V)	Item 26582051USA
Product Dimensions	24 ⁵ / ₈ " (626 mm) W x 2 ¹¹ / ₁₆ " (68 mm) H x 21 ⁷ / ₁₆ " (544 mm) D
Cut-out Dimensions	22 ⁵ / ₁₆ " (567 mm) W x 20 ³ / ₈ " (518 mm) D
Minimum Back Spacing From Wall	2" (50 mm)
Minimum Countertop Thickness	1 ³ / ₁₆ " (30 mm)
Electrical	
Electrical Requirements	208/240V, 60Hz, 30A
Power Cable	4' 8 ¹¹ / ₁₆ " (1.44 m)
Shipping	
Shipping Weight	39 lbs (17.7 kg)
Shipping Dimensions	26" W x 6 ⁵ / ₁₆ " H x 29 ² / ₁₆ " D
Support	
Call Miele	800.843.7231
Miele Website	www.mieleusa.com
20/20 Link	2020technologies.com

24" 3-Burner Electric Cooktop KM 5820



PRODUCT VIEWS

Top View



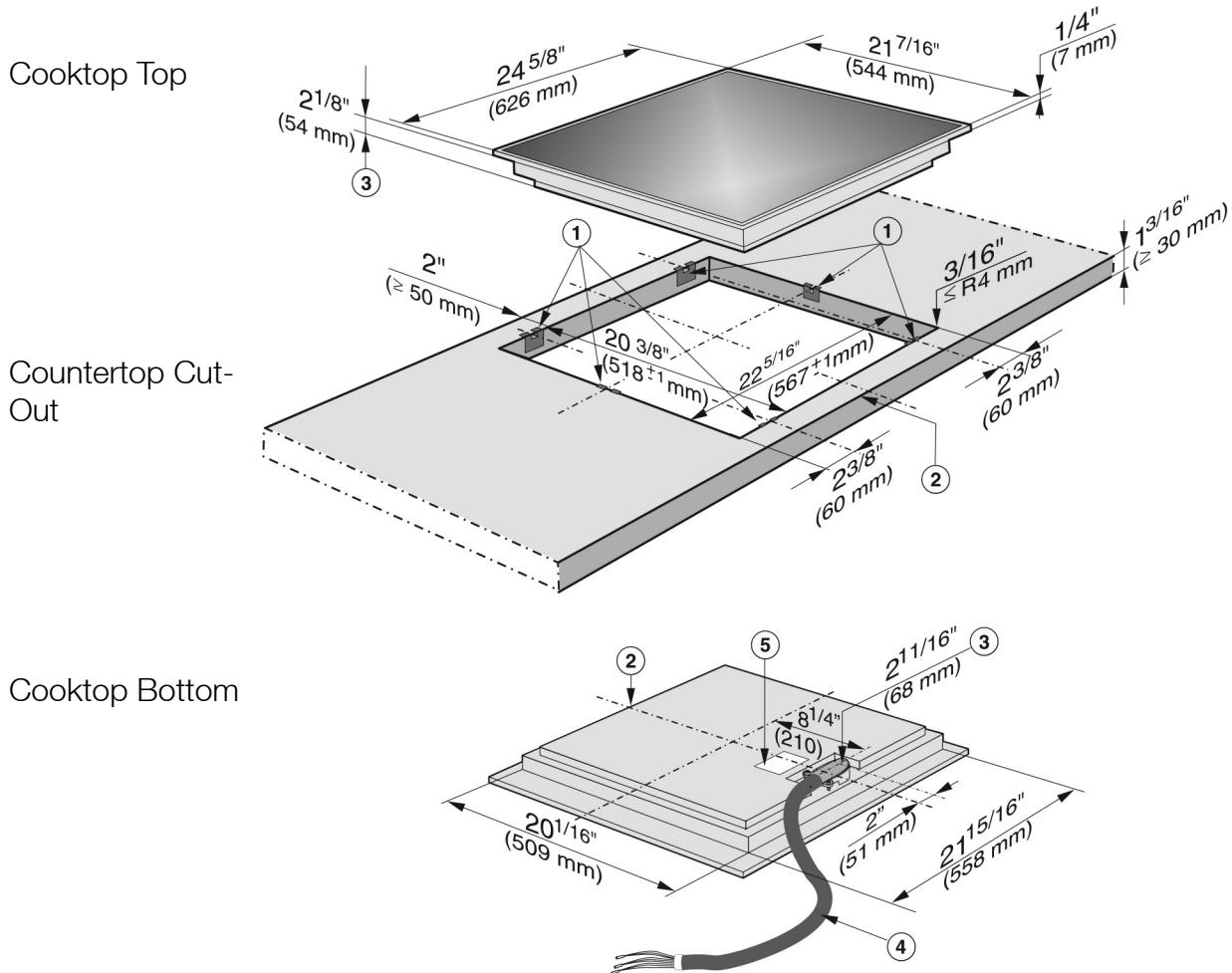
- ① Three-zone variable burner
- ② Two-zone variable burner
- ③ One-zone burner
- ④ Control panel

Burner	∅ Diameter		Output in watts at 208 / 240 V
	inches	cm	
Left ①	5 11/16" 8 1/4" 10 5/8"	14.5 21 27	1100 2150 3100
Right rear ②	4 3/4" 7 1/16"	12 18	700 1800
Right front ③	5 11/16"	14.5	1200
			Total:6100

24" 3-Burner Electric Cooktop KM 5820



INSTALLATION DIMENSIONS



- ① Spring clips
- ② Front
- ③ Installation height
- ④ Connecting cable, L = $56\frac{11}{16}"$ (1440 mm)
- ⑤ Rating label

24" 3-Burner Electric Cooktop KM 5820



KM 5820 COOKTOP INSTALLATION IN COMBINATION WITH UNDERCOUNTER 30" MIELE OVEN H6x80BP

Countertop Thickness vs. Toekick Height

Taken into consideration:

- 34¹/₂" tall cabinetry
- 1/4" of cooktop above countertop (proud)
- 3/4" (exact) platform thickness under oven/above toekick

		Toekick Height (Inches)											
		3 ¹ / ₂	3 ³ / ₄	4	4 ¹ / ₄	4 ¹ / ₂	4 ³ / ₄	5	5 ¹ / ₄	5 ¹ / ₂	5 ³ / ₄	6	
Countertop Thickness (Inches)	1 ³ / ₁₆	OK	OK	OK	OK	OK	OK	OK	OK	OK	OK	NA	NA
	1 ¹ / ₄	OK	OK	OK	OK	OK	OK	OK	OK	OK	OK	OK	NA
	1 ¹ / ₂	OK	OK	OK	OK	OK	OK	OK	OK	OK	OK	OK	OK
	1 ³ / ₄	OK	OK	OK	OK	OK	OK	OK	OK	OK	OK	OK	OK
	2	OK	OK	OK	OK	OK	OK	OK	OK	OK	OK	OK	OK

 = Standard Kitchen