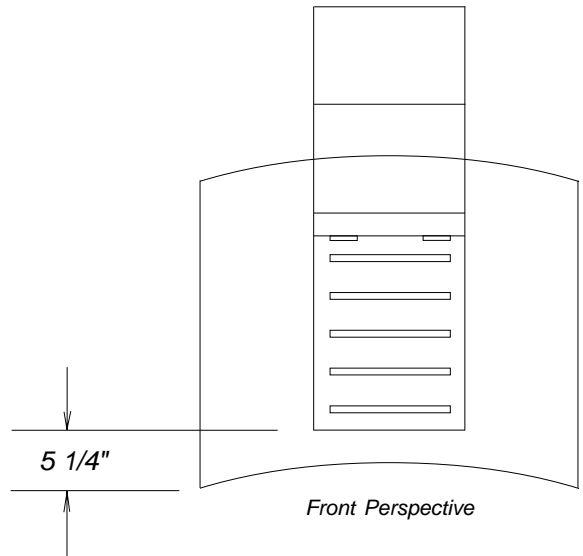
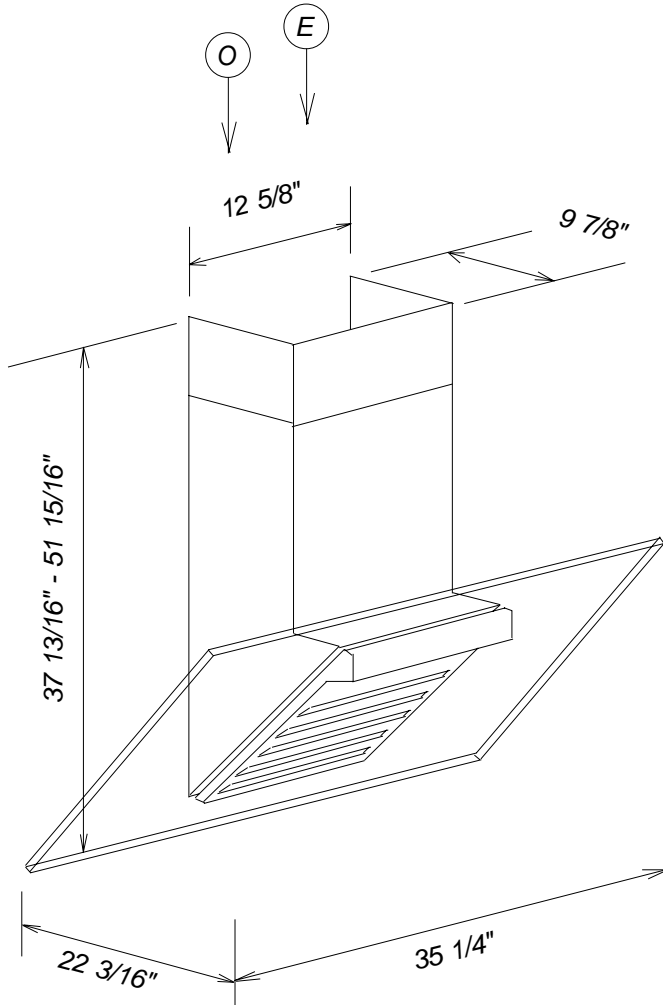


# Product Dimensions

## Decorator Wall Hood

### DA289



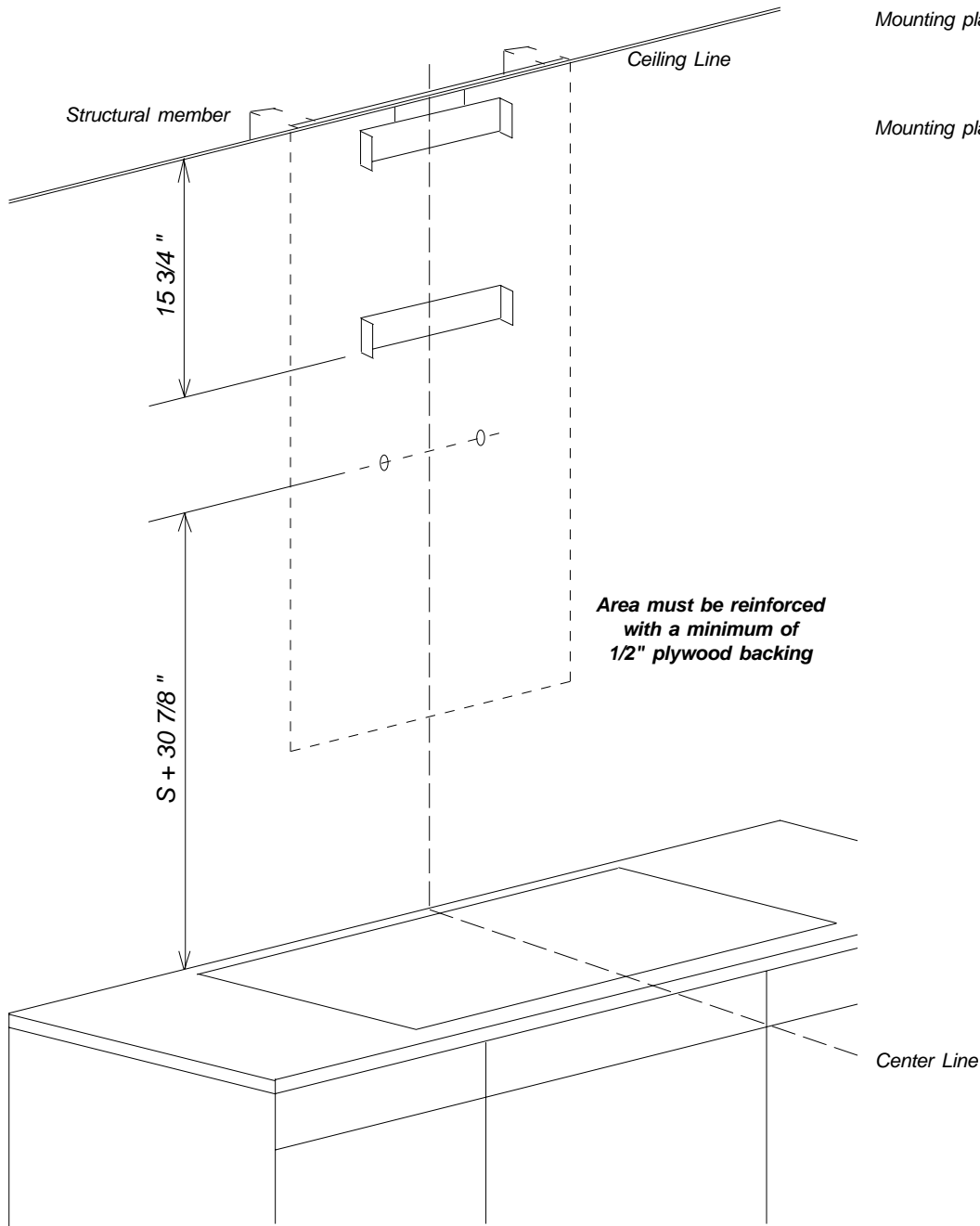
Location Codes
<p><i>E</i> - 110 Volt - 15 Amp 3-wire molded plug power supply connects through top or rear of chimney.</p> <p><i>O</i> - Standard 110 Volt Outlet</p>
Notes
<ul style="list-style-type: none"> <li>• All installations must be done in accordance with local codes.</li> <li>• 6" duct connects to blower system inside chimney.</li> </ul>

NOTE: Drawing is not to scale.  
 SPECIFICATION SHEETS 010405

# Installation Dimensions

## Decorator Wall Hoods

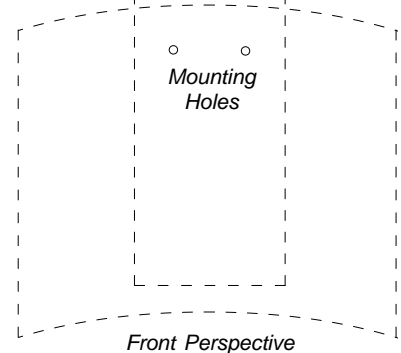
### DA289



Mounting plate "B"



Mounting plate "C"



Notes
<ul style="list-style-type: none"> <li>• Center unit over cooking surface</li> <li>• Distance "S" is determined by the cooking surface. Minimum distance "S" is:               <ul style="list-style-type: none"> <li>- 14 3/8" for all surfaces</li> </ul> </li> <li>• Area behind mounting plates <b>MUST</b> be reinforced using a minimum of 1/2" plywood. Reinforcing material should be affixed to structural wall members</li> </ul>