

Aura Island Ventilation Hood

DA 7000 D



Aura Island Ventilation Hood DA 7000 D



FEATURES

- Designed for recirculating use only (OdorFree Charcoal Filters included)
- For island installation
- Touch on Glass controls for lights, 4 fan speeds (incl. intensive) delayed shut down, grease and OdorFree Charcoal Filter saturation indicator
- Max. 350 CFM
- Dishwasher-safe grease filters (4 panels)
- Integrated halogen lighting with dimmer function

SPECIFICATIONS

DA 7000 D — Item 28700037USA

Recirculating	Max 350 CFM setting
Canopy Dimensions	39 ³ / ₈ " (1,000 mm) W x 6 ⁵ / ₁₆ " (160 mm) H x 27 ⁹ / ₁₆ " (700 mm) D
Minimum distance above cooktop*	Electric: 24" Gas: 26"
Electrical	
Electrical Requirements	120 V, 60 Hz, 10 Amps
Power Cord	Cord supplied, 5.9 ft. (1.8m) long
Electrical Rating	160 W (Blower: 100 W; Lighting: 3x20 W)
Accessory	
Optional Accessory	DKF 26-1 OdorFree Charcoal Filters (2)
Shipping	
Shipping Weight	73 lbs (33 kg)
Support	
Call	800.843.7231
20/20	©2020technologies.com

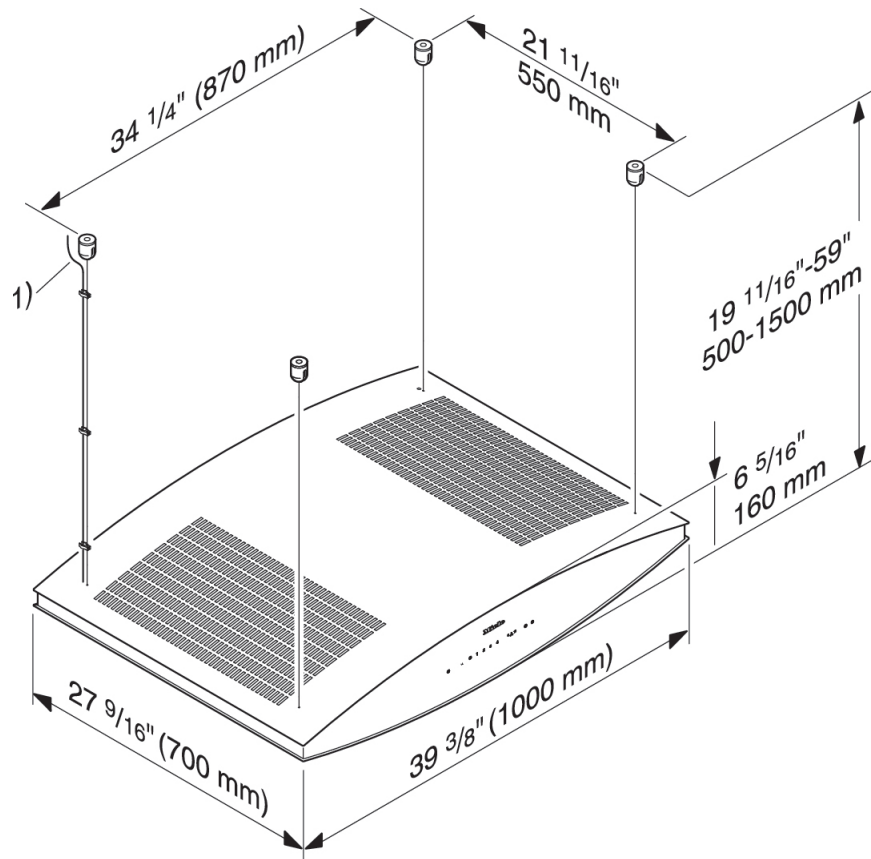
*Minimum clearance overview - see installation instructions for mounting details

	Miele Cooktops	Non-Miele Cooktops
Electric Cooktops	24" (610 mm)	
Electric Barbeques and Fryers	26" (660 mm)	
Multiburner Gas cooktops ≤ 43,000 BTU (12.6 KW) and no burner > 15,000 BTU (4.5 KW)	26" (660 mm)	30" (760 mm)
Single burner (Wok) ≤ 20,500 BTU (6 KW)	26" (660 mm)	30" (760 mm)
All other gas cooktops	30" (760 mm)	

Aura Island Ventilation Hood DA 7000 D



PRODUCT VIEWS



1) Power Cord, 5.9 ft. (1.8m) long