

Washing Machine

W 3038



Washing Machine W 3038

Miele



FEATURES

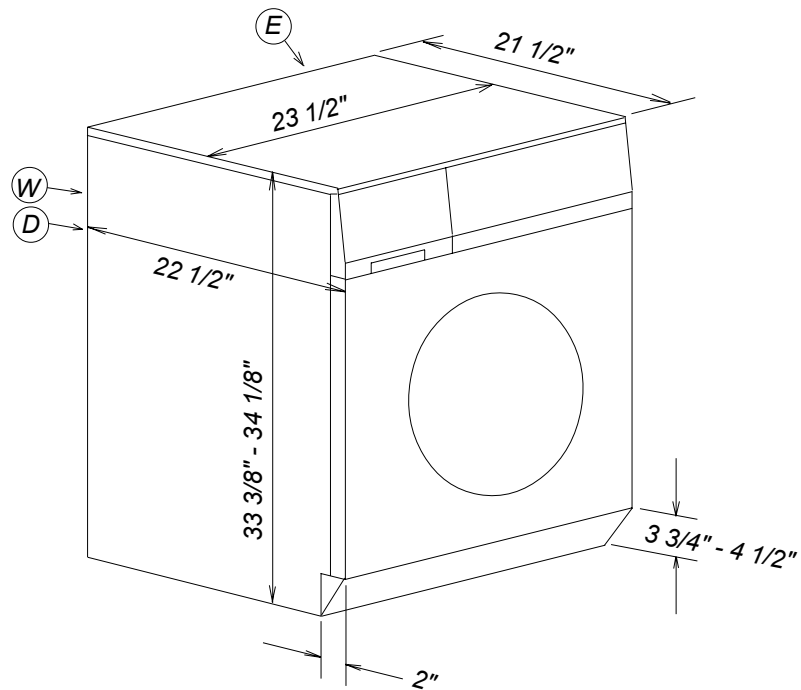
- European standard capacity
- Honeycomb Drum™ with interior light
- Large LCD screen
- Buzzer on/off
- WaterProof system
- 6 spin speeds
- **Standard Wash Programs:** Normal, Wrinkle-Free, Sanitize, Hand Wash, Woolens, Silk, Custom
- **Specialty Wash Programs:** Extra White, Delicates, Denim/Jeans, Dress Shirts, Pillows, Outerwear, Table Linens, Beach Towels, Express, Drain/Spin, Quick Rinse
- **Program Options:** Extended, Heavy Soil (pre-wash), Sensitive (extra rinse)



Washing Machine W 3038



PRODUCT VIEW



Location Codes

- D - 5 foot flexible drain hose connects upper left rear.
- E - 120 Volt, 15 Amp 5 foot molded plug power supply connects upper left rear (NEMA 5-15 Configuration).
- W - 5 foot separate flexible hot and cold water intake hoses connect upper left rear.

Notes

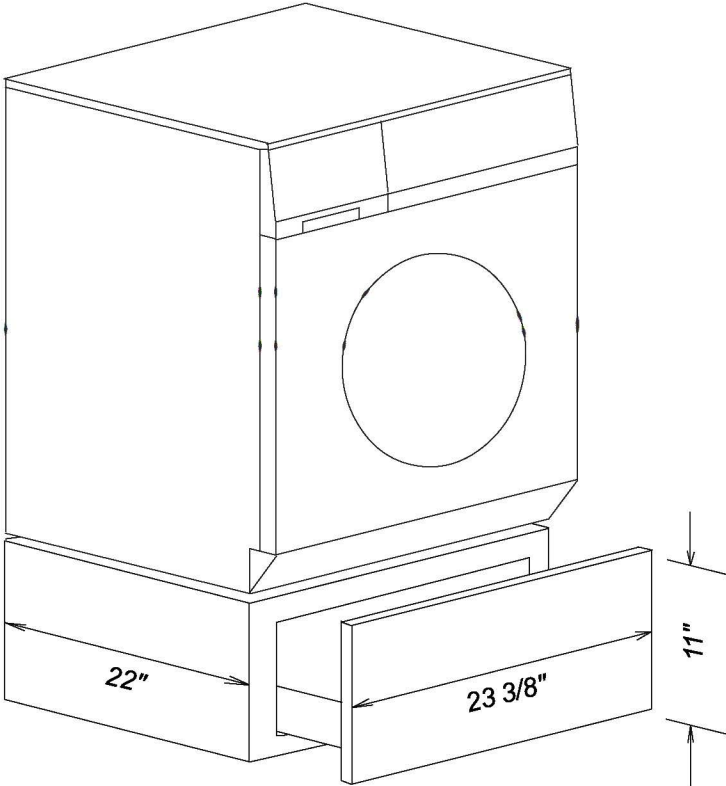
- **All installations must be done in accordance with local codes**
- See "Cut-out Dimensions" sheet for undercounter or built-in space requirements
- **Remove transport struts in rear of machine before installation.**

NOTE: Drawing is not to scale.

Washing Machine
W 3038



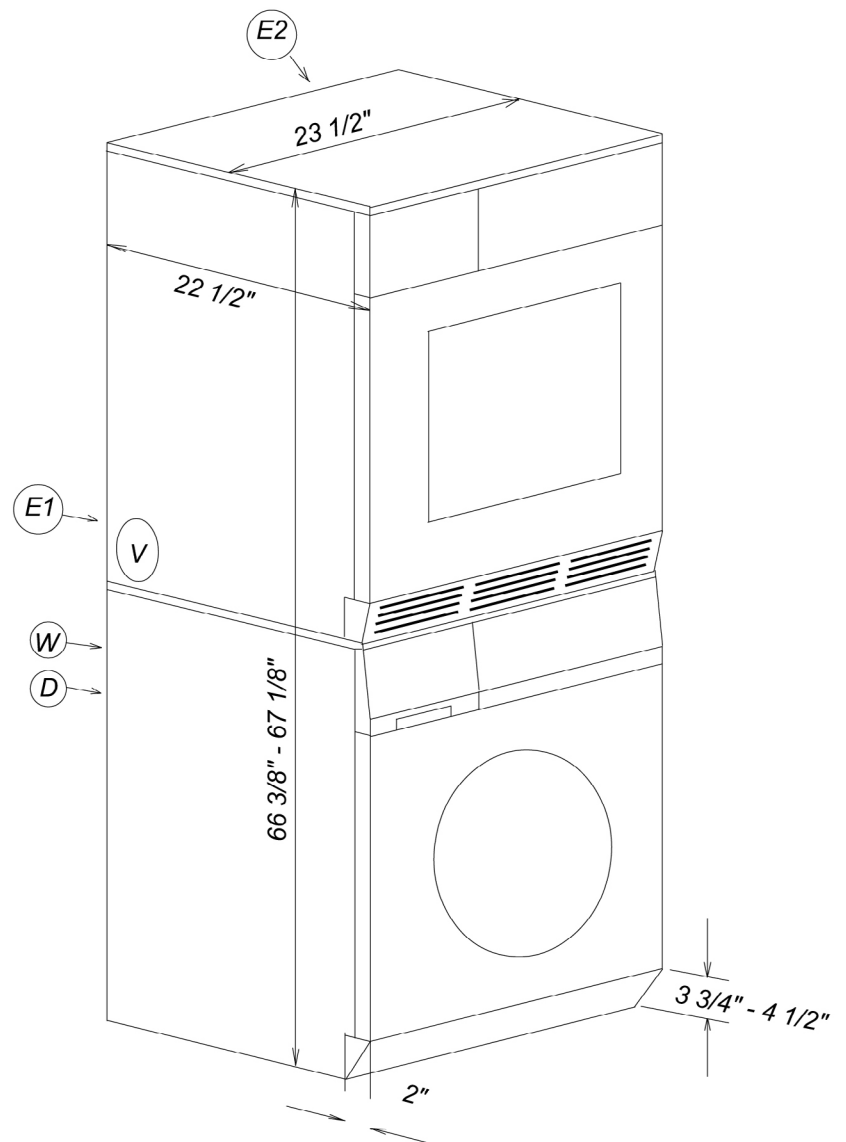
PRODUCT VIEW WITH WTS410
STAND



Washing Machine W 3038

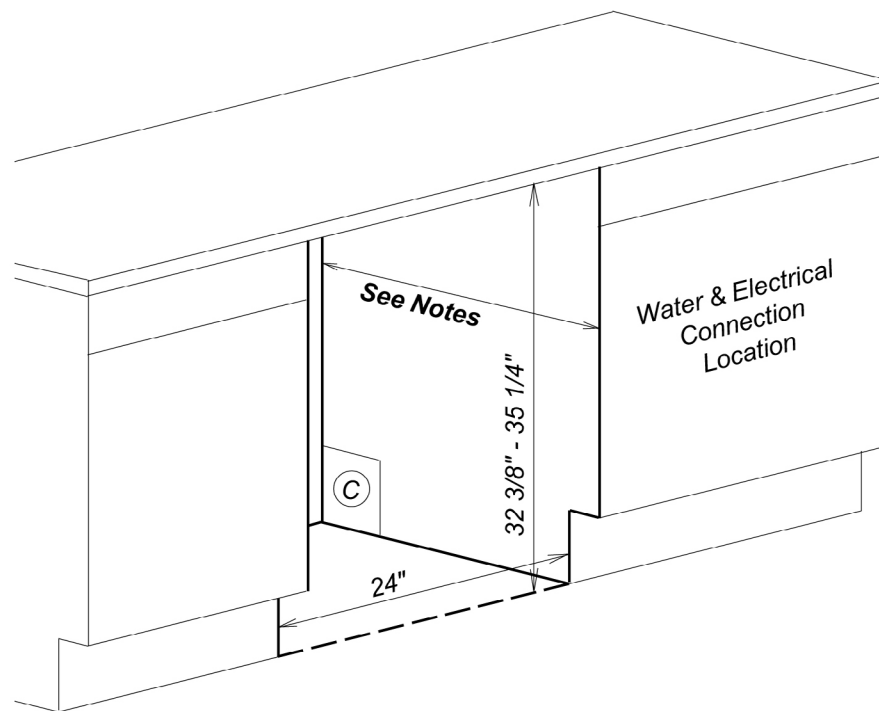


PRODUCT VIEW



Location Codes	
<i>D</i>	5 foot flexible drain hose connects upper left rear.
<i>E1</i>	120 Volt, 15 Amp 5 foot molded plug power supply connects upper left rear (NEMA 5-15 Configuration).
<i>E2</i>	208/240 Volt, 30 Amp 5 foot molded plug power supply connects upper right rear (NEMA 14-30 Configuration).
<i>W</i>	5 foot separate flexible hot and cold water intake hoses connect upper left rear.

INSTALLATION



Location Codes

C - Cutout for Electric and Vent/Drain pass-through. Adjust according to duct or drain location.