

WXF 660 WCS Washing Machine

Features:

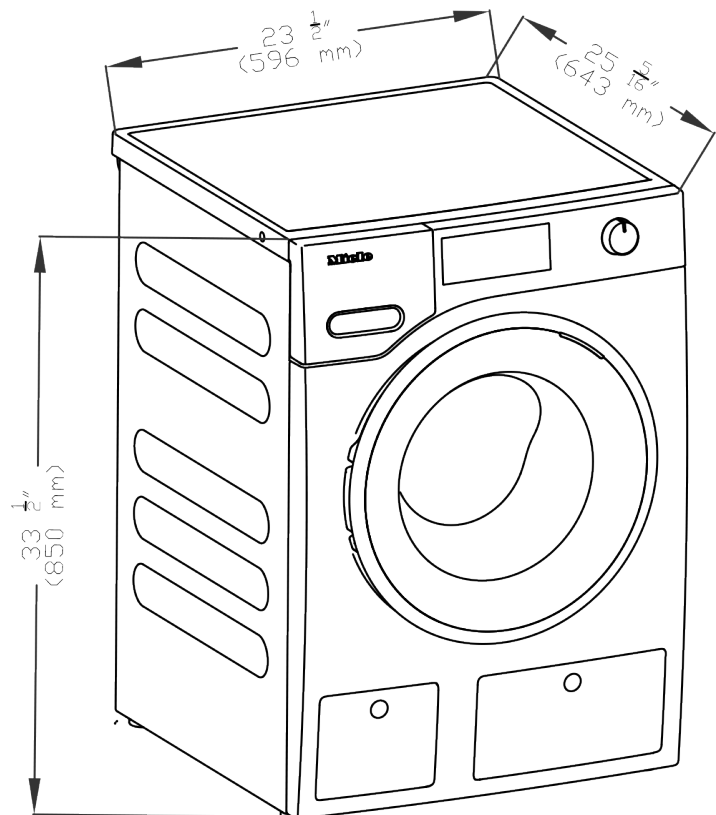
- HoneyComb drum (2.26 ft³ capacity; 17.6 lbs)
- TwinDos automatic detergent dispensing
- 20 Wash Programs including SoftSteam option
- DirectSensor user interface
- WiFiConn@ct and Mobile Control
- CapDos
- Add Laundry feature
- 1600 rpm max spin speed



MATERIAL #	EAN #
11613130	4002516377115

SPECIFICATIONS	
Overall Unit Dimensions	23 ¹ / ₂ " (596 mm) W x 33 ¹ / ₂ " - 34 ³ / ₄ " (850 - 882 mm) H x 25 ⁵ / ₁₆ " (643 mm) D
Niche	
Minimum Cabinet Niche Opening	23 ³ / ₄ " (603 mm) W x 33 ⁵ / ₈ " (854 mm) H x 24" (610 mm) D
Plumbing	
Water Supply Requirements	<ul style="list-style-type: none"> • Cold or Hot (max 140°F/60°C) water connection • Male 3/4" GHT fitting • Water pressure range 14.5 psi (1 bar) and 145 psi (10 bar)
Water Connection Line	Length: 5 ft 3 in. (1.6 m) Female 3/4" GHT fitting
Drain Hose (Supplied)	Length: 5 ft (1.5 m)
Electrical	
Electrical Requirements	110 V / 120 V, 60 Hz, 15 Amps
Power Cord	NEMA 5-15 plug, 6 ft 6 in. (2 m)
Shipping	
Shipping Weight	221 lbs (100 kg)
Shipping Dimensions	26" W x 37" H x 27 ³ / ₁₆ " D

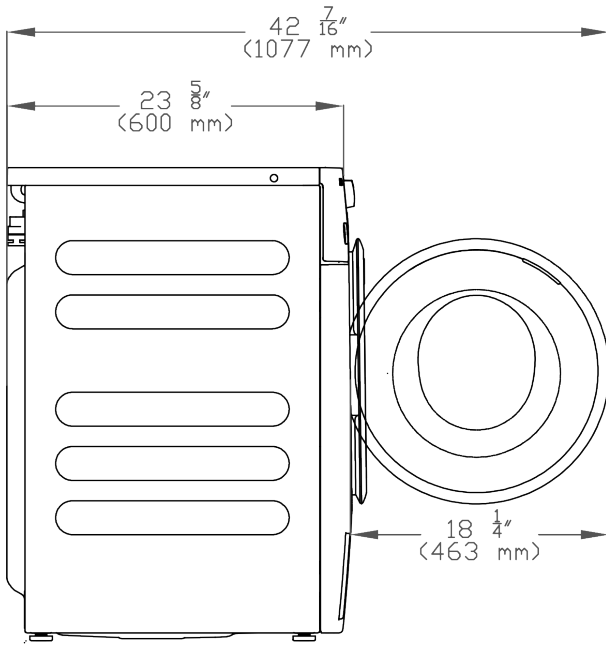
PRODUCT DIMENSIONS



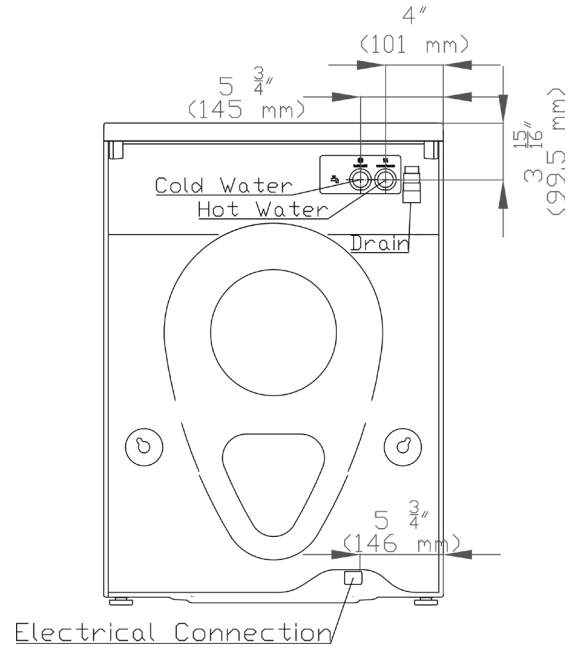
ADDITIONAL PRODUCT

DIMENSIONS

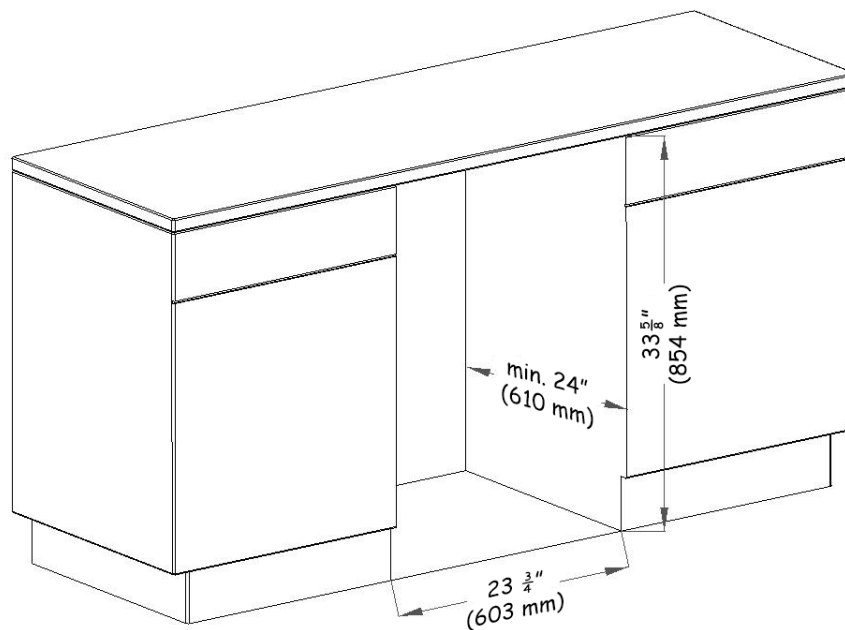
Side View



Rear View



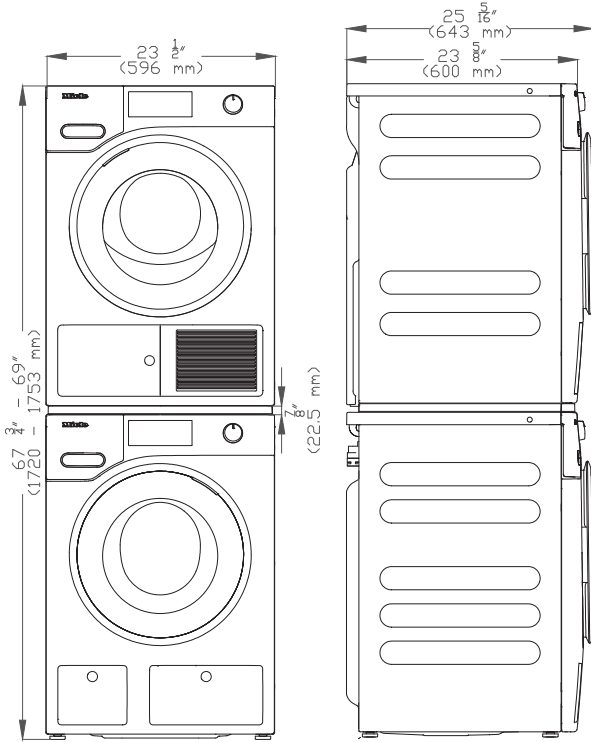
NICHE DIMENSIONS



OPTIONAL ACCESSORIES

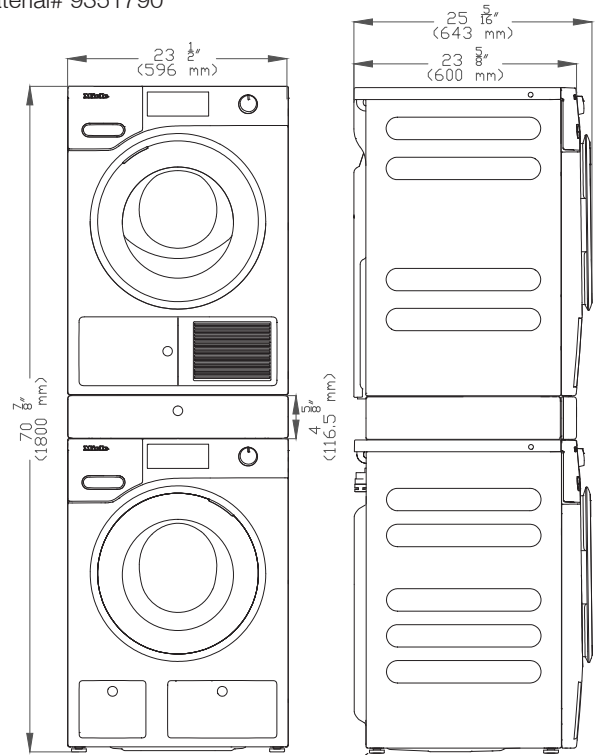
WTV502

Material# 9256140



WTV512

Material# 9351790



WTS510

Material# 9322300

