

## WXI 860 WCS Washing Machine

### Features:

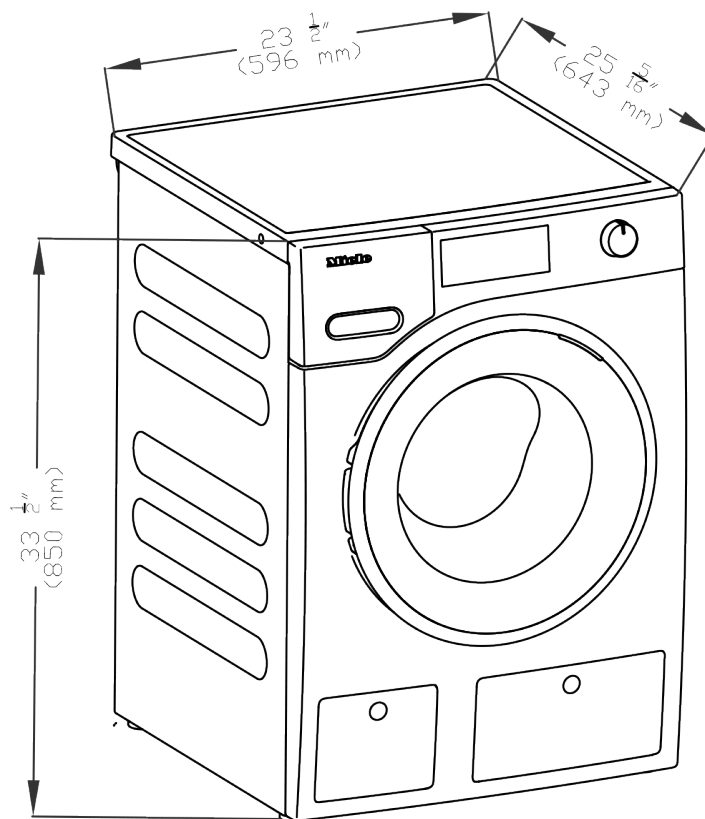
- HoneyComb drum (2.26 ft<sup>3</sup> capacity; 17.6 lbs)
- TwinDos automatic detergent dispensing
- 21 Wash Programs including SoftSteam option
- QuickIntenseWash and SingleWash programs
- WiFiConn@ct and Mobile Control
- CapDos
- 1600 rpm max spin speed



MATERIAL #	EAN #
11614140	4002516377023

SPECIFICATIONS	
Overall Unit Dimensions	23 <sup>1</sup> / <sub>2</sub> " (596 mm) W x 33 <sup>1</sup> / <sub>2</sub> " - 34 <sup>3</sup> / <sub>4</sub> " (850 - 882 mm) H x 25 <sup>5</sup> / <sub>16</sub> " (643 mm) D
Niche	
Minimum Cabinet Niche Opening	23 <sup>3</sup> / <sub>4</sub> " (603 mm) W x 33 <sup>5</sup> / <sub>8</sub> " (854 mm) H x 24" (610 mm) D
Plumbing	
Water Supply Requirements	<ul style="list-style-type: none"> <li>• Cold or Hot (max 140°F/60°C) water connection</li> <li>• Male 3/4" GHT fitting</li> <li>• Water pressure range 14.5 psi (1 bar) and 145 psi (10 bar)</li> </ul>
Water Connection Line	Length: 5 ft 3 in. (1.6 m) Female 3/4" GHT fitting
Drain Hose (Supplied)	Length: 5 ft (1.5 m)
Electrical	
Electrical Requirements	110 V / 120 V, 60 Hz, 15 Amps
Power Cord	NEMA 5-15 plug, 6 ft 6 in. (2 m)
Shipping	
Shipping Weight	221 lbs (100 kg)
Shipping Dimensions	26" W x 37" H x 27 <sup>3</sup> / <sub>16</sub> " D

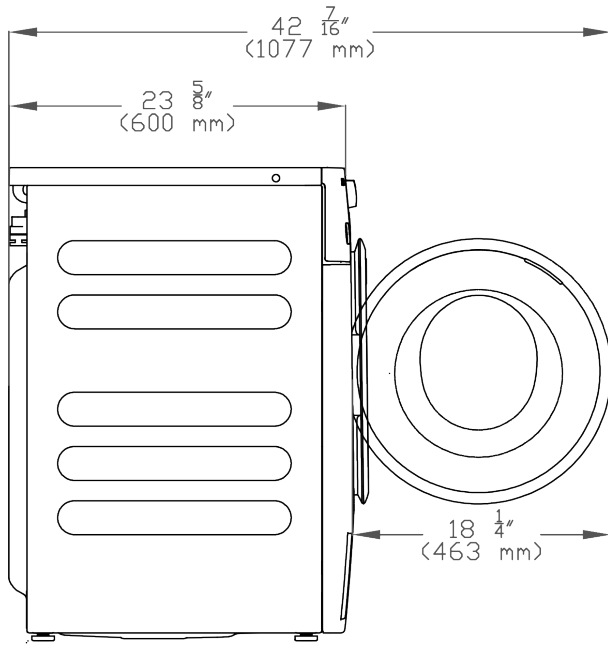
### PRODUCT DIMENSIONS



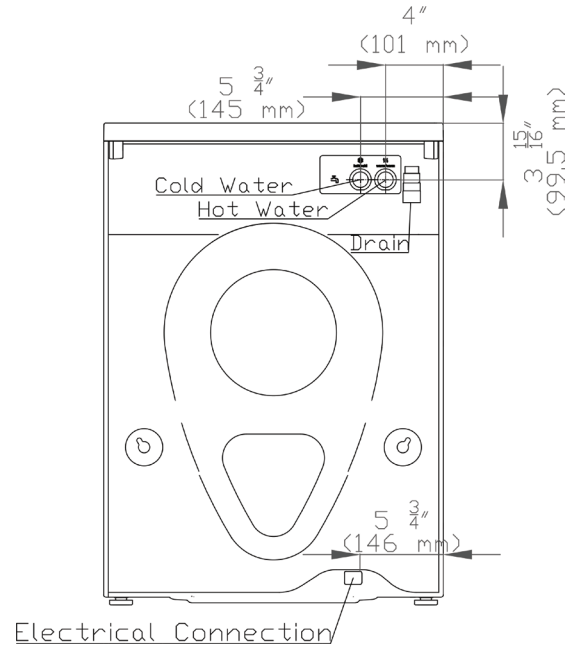
## ADDITIONAL PRODUCT

### DIMENSIONS

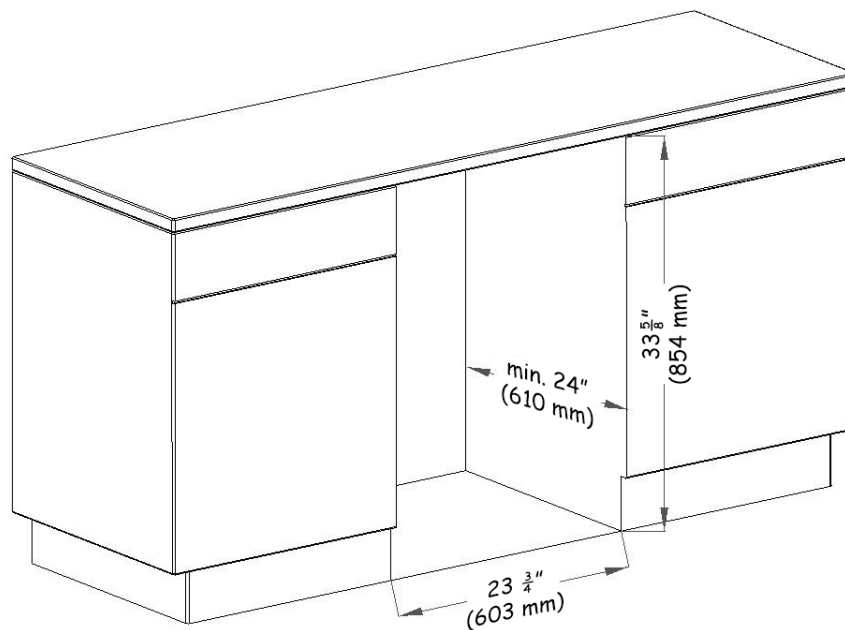
Side View



Rear View



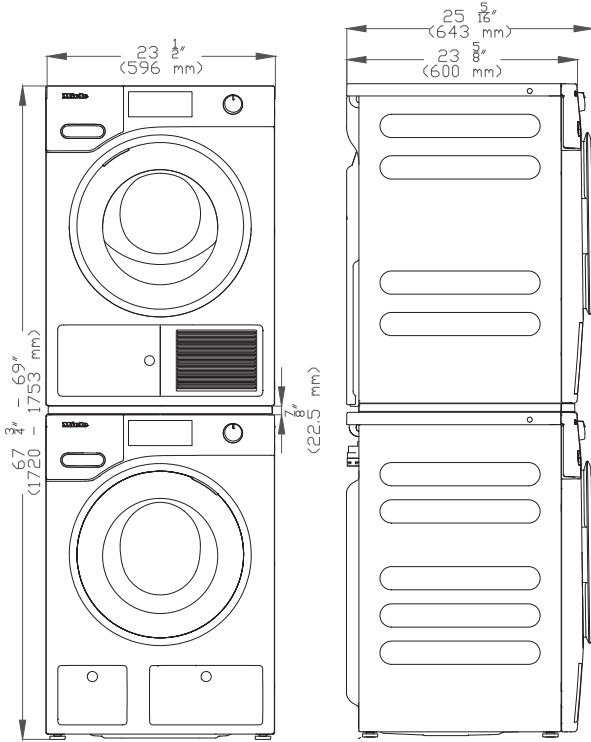
## NICHE DIMENSIONS



## OPTIONAL ACCESSORIES

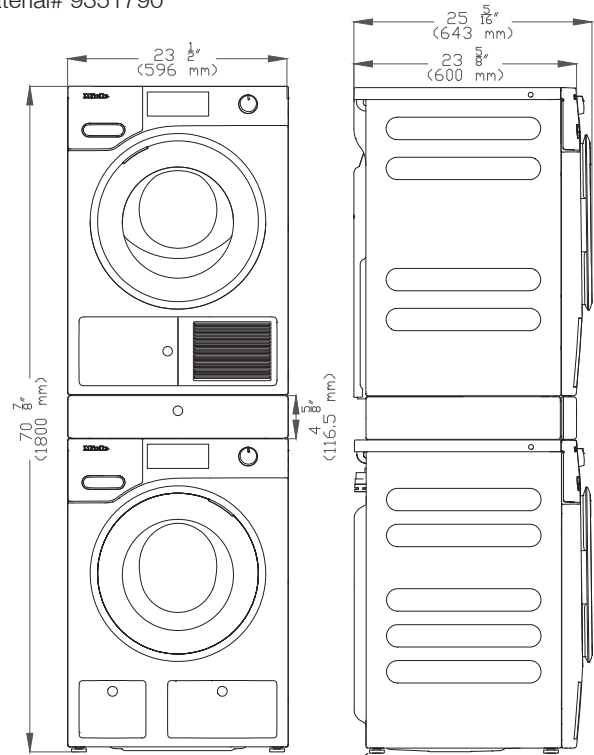
WTV502

Material# 9256140



WTV512

Material# 9351790



WTS510

Material# 9322300

