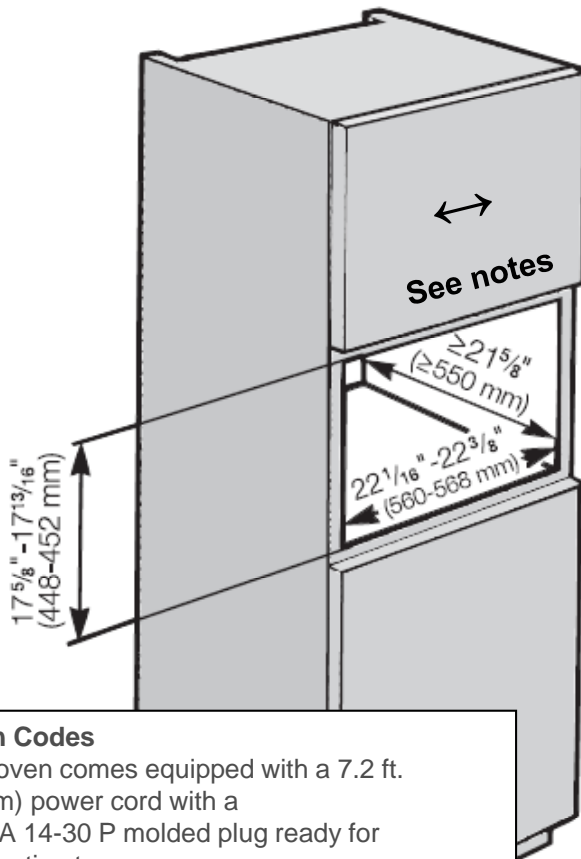
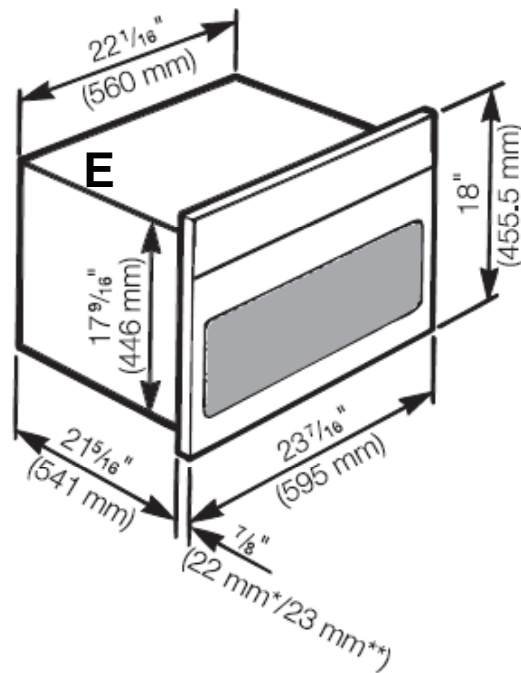


## Product and Cut-out Dimensions Convection Microwave Oven

H 4084 MasterChef Classic Design with DS 4045 Signature Series Handle  
H 4086 MasterChef Europa Design with DS 4043 Square Series Handle



Miele appliances can be installed flush or proud. Discuss your installation requirements with your architect, designer and installer.



### Location Codes

**E** – The oven comes equipped with a 7.2 ft. (2.2 m) power cord with a NEMA 14-30 P molded plug ready for connection to a:  
120/240V, 20 A, 60 Hz power supply  
or  
120/208V, 20 A, 60 Hz power supply.

**O** – 2 1/2" <sup>2</sup> minimum hole size for plug. Outlet to be installed in adjacent cabinetry

### Notes

Width with optional Classic EBA Trim Kits:  
22996178USA **EBA 5470** 27 3/8" Width  
26" – 26 1/4" Cabinet Cutout  
22996179USA **EBA 5476** **29 13/16" Width**  
28 3/4" – 28 1/2" Cabinet Cutout  
Width with optional Europa EBA Trim Kits:  
22996191USA **EBA 5570** 27 3/8" Width  
26" – 26 1/4" Cabinet Cutout  
22996192USA **EBA 5576** **29 13/16" Width**  
28 3/4" – 28 1/2" Cabinet Cutout

All installations must be done in accordance with local codes.

\* Appliances with glass front

\*\* Appliances with metal front

Please view page 4

**Note: Drawing is not to scale**

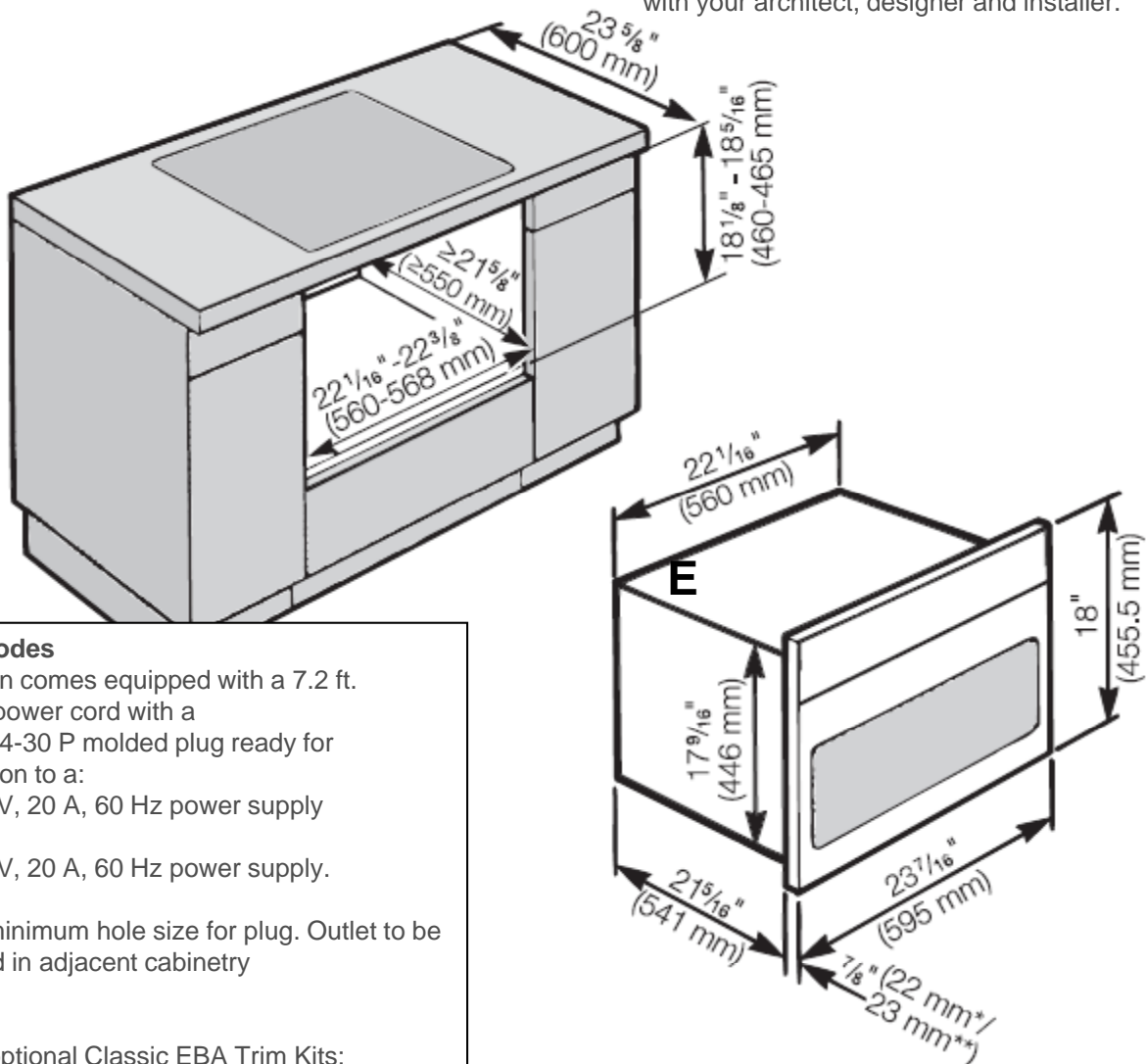
**Specification Sheets OJS 11112011**

## Product and Cut-out Dimensions Convection Microwave Oven

### H 4084 Classic Design with DS 4045 Signature Series Handle H 4086 Europa Design with DS 4043 Square Series Handle

When installed under a cooktop regard the installation instructions and dimensions of the cooktop

Miele appliances can be installed flush or proud. Discuss your installation requirements with your architect, designer and installer.



#### Location Codes

E – The oven comes equipped with a 7.2 ft. (2.2 m) power cord with a NEMA 14-30 P molded plug ready for connection to a:  
120/240V, 20 A, 60 Hz power supply  
or  
120/208V, 20 A, 60 Hz power supply.

O – 2 1/2" <sup>2</sup> minimum hole size for plug. Outlet to be installed in adjacent cabinetry

#### Notes

Width with optional Classic EBA Trim Kits:  
22996178USA **EBA 5470** 27 3/8" Width  
26" – 26 1/4" Cabinet Cutout  
22996179USA **EBA 5476** **29 13/16" Width**  
28 3/4" – 28 1/2" Cabinet Cutout  
Width with optional Europa EBA Trim Kits:  
22996191USA **EBA 5570** 27 3/8" Width  
26" – 26 1/4" Cabinet Cutout  
22996192USA **EBA 5576** **29 13/16" Width**  
28 3/4" – 28 1/2" Cabinet Cutout

All installations must be done in accordance with local codes.

\* Appliances with glass front

\*\* Appliances with metal front

Please view page 4

**Note: Drawing is not to scale**

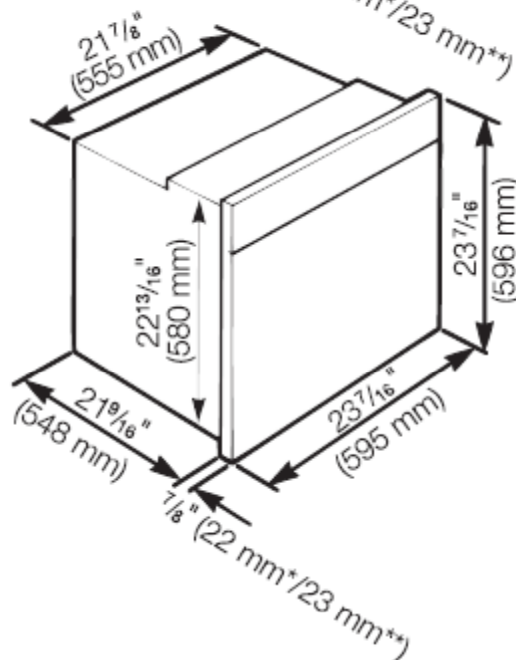
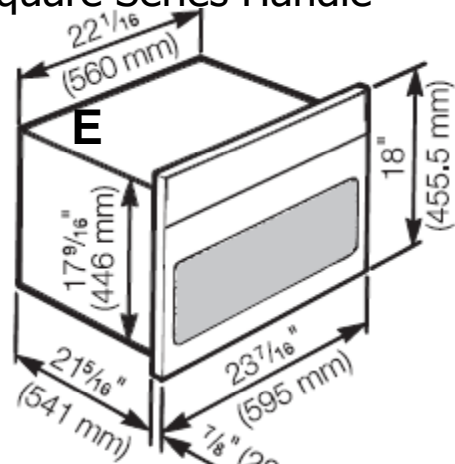
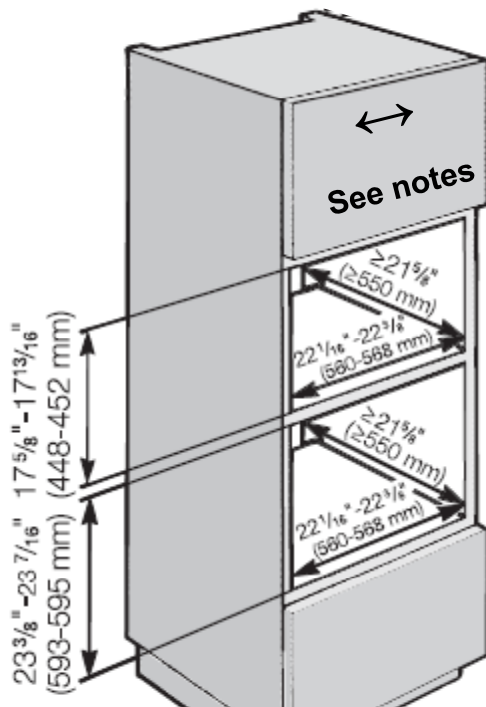
**Specification Sheets OJS 11112011**

## Product and Cut-out Dimensions

Convection Microwave Oven Shown Over 60cm Oven

H 4084 Classic Design with DS 4045 Signature Series Handle

H 4086 Europa Design with DS 4043 Square Series Handle



### Location Codes

E – The oven comes equipped with a 7.2 ft. (2.2 m) power cord with a NEMA 14-30 P molded plug ready for connection to a:  
 120/240V, 20 A, 60 Hz power supply  
 or  
 120/208V, 20 A, 60 Hz power supply.

O – 2 1/2" <sup>2</sup> minimum hole size for plug. Outlet to be installed in adjacent cabinetry

### Notes

Width with optional Classic EBA Trim Kits:  
 22996178USA **EBA 5470** 27 3/8" Width  
 26" – 26 1/4" Cabinet Cutout  
 22996179USA **EBA 5476** **29 13/16" Width**  
 28 3/4" – 28 1/2" Cabinet Cutout  
 Width with optional Europa EBA Trim Kits:  
 22996191USA **EBA 5570** 27 3/8" Width  
 26" – 26 1/4" Cabinet Cutout  
 22996192USA **EBA 5576** **29 13/16" Width**  
 28 3/4" – 28 1/2" Cabinet Cutout

All installations must be done in accordance with local codes.

\* Appliances with glass front

\*\* Appliances with metal front

Please view page 4

**Note: Drawing is not to scale**

**Specification Sheets OJS 11112011**

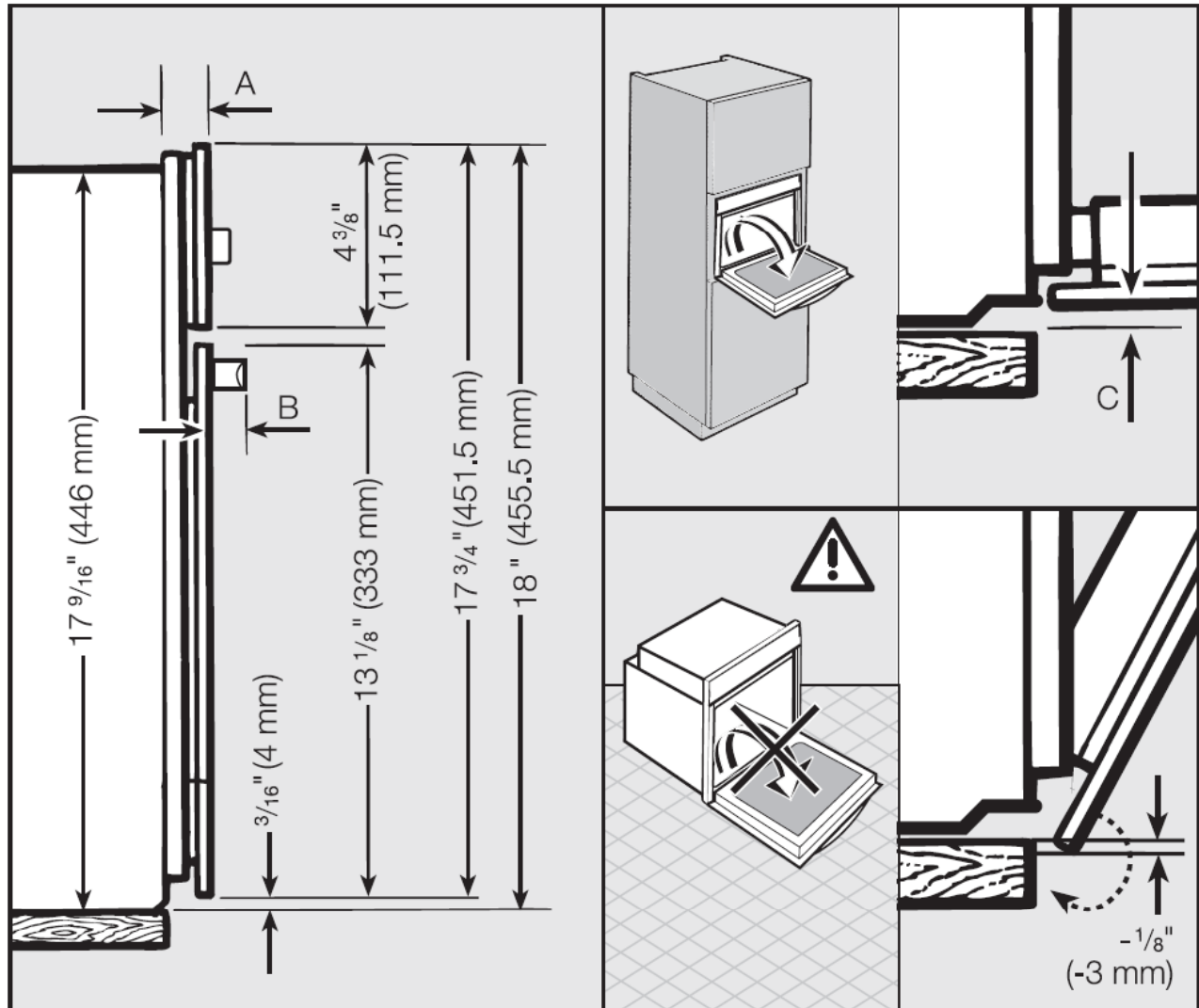
Product and Cut-out Dimensions

Convection Microwave Oven

H 4084 Classic Design with DS 4045 Signature Series Handle

H 4086 Europa Design with DS 4043 Square Series Handle

**Machine front dimensions**



**A** 7/8" (Appliance with glass front: 22 mm / Appliance with metal front: 23 mm)

**B** H 4084 BM: 2 3/16" (1.5 mm)

H 4086 BM: 1 7/8" (47.5 mm)

**C** Appliances with glass front: 1/16" (1.5 mm)

Appliances with metal front: 1/32" (0.5 mm)

**Note:** Drawing is not to scale

Specification Sheets OJS 11112011