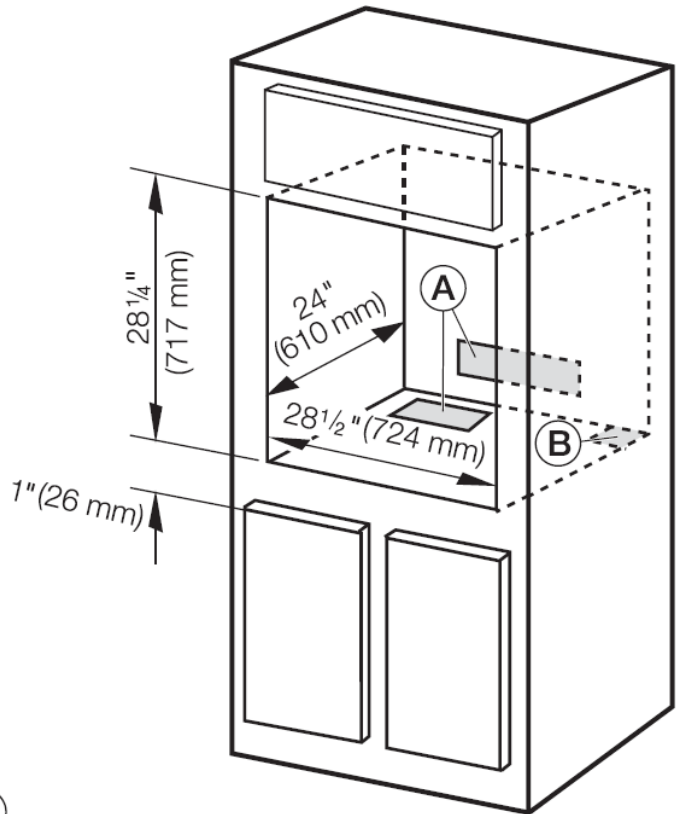
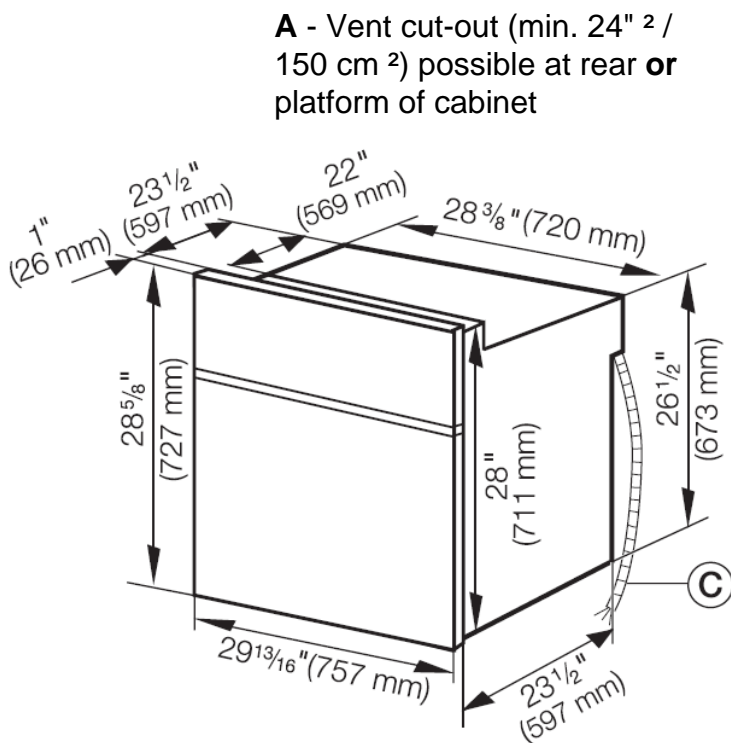


Product and Cut-out Dimensions 30" Single Oven H 4884 BP H 4886 BP



Location Codes

- B - Cut-out for power cord (min. 1" ² / 3 cm ²)
- C - 5 foot electrical main with pigtail connects upper rear right side
208 - 240 Volt - 30 Amp connection box with 4 wires (2 lives / N / ground)
Location must be accessible

Height to base of oven
Locate 30" - 33" from floor
Based on user height of 5'6" to 5'10"

Notes

All installations must be done in accordance with local codes.

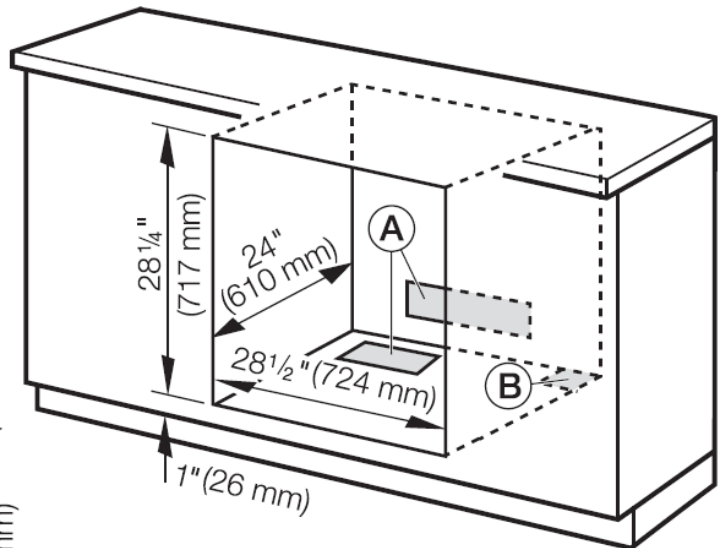
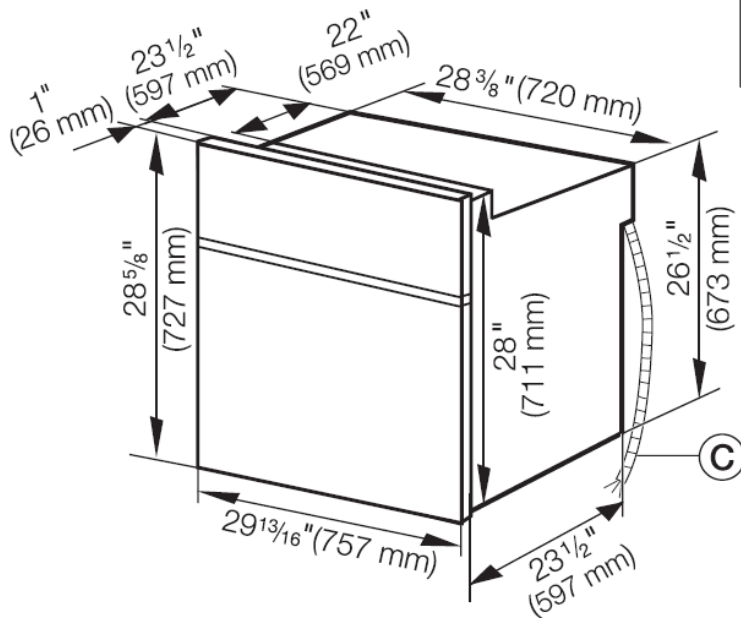
Note: Drawing is not to scale

Specification Sheets OJS 09102011

Product and Cut-out Dimensions 30" Single Oven H 4884 BP H 4886 BP

When installed under a cooktop regard the installation instructions and dimensions of the cooktop

A - Vent cut-out (min. 24" ² / 150 cm ²) possible at rear or platform of cabinet



Location Codes

- B - Cut-out for power cord (min. 1" ² / 3 cm ²)
- C - 5 foot electrical main with pigtail connects upper rear right side
208 - 240 Volt - 30 Amp connection box with 4 wires (2 lives / N / ground)
Location must be accessible
Height – Refer to undercounter install sheet.

Notes

All installations must be done in accordance with local codes.

Note: Drawing is not to scale

Specification Sheets OJS 09102011