

30" Range Hood

DAR 1220



30" Range Wall Hood DAR 1220



DAR 1220

Features:

- Vented or Recirculating option
- Recessed knob controls
- M Pro Stainless Steel
- Dishwasher-safe stainless steel baffle filters
- 4 fan speeds including Intensive
- Hood interior with CleanCover
- LED ClearView lighting
- Auto-Vent safety sensor

SPECIFICATIONS

DAR 1220 — Item 28122050USA

Overall Unit Width	29 ¹⁵ / ₁₆ " (760mm)
Overall Height Without Duct Cover	18" (457mm)
Overall Unit Depth	24 ¹ / ₁₆ " (611mm)
Lighting	
Number of Lights and Wattage	2 LED lights @ 2 watts each
Fan	
Fan Speeds	4
Maximum CFM With DR*B XL	700 CFM
Maximum CFM With DR*B XXL	1100 CFM
Duct	
Recommended Duct Diameter With DR*B XL	8" (203 mm)
Recommended Duct Diameter With DR*B XXL	10" (254 mm)
Electrical	
Electrical Requirements	120V, 60Hz, 15 Amps
Power Cord	Yes - NEMA 5-15 plug, length 2' 6" (0.75 m)
Shipping	
Shipping Weight	90.4 lbs. (41kg)
Shipping Dimensions	35 ⁷ / ₁₆ " (900mm) W x 28" (710mm) H x 29 ³ / ₁₆ " (740mm) D
Support	
Call Miele	800.843.7231
Miele Website	~www.mieleusa.com
20/20 Link	~2020technologies.com

INSTALLATION ACCESSORIES



DRIB XL

Internal Range Hood Blower - 700 CFM



DRIB XXL

Internal Range Hood Blower - 1100 CFM



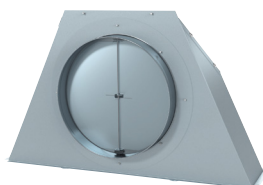
DREB XL

External Range Hood Blower - 700 CFM



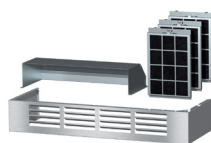
DREB XXL

External Range Hood Blower - 1100 CFM



DRRV 1200

Rear Venting Adapter



DRUU 30

Recirculation Kit - for use with DRIB XL blower only



DKF 23-1

Replacement OdorFree Charcoal filter for Recirculation Kit



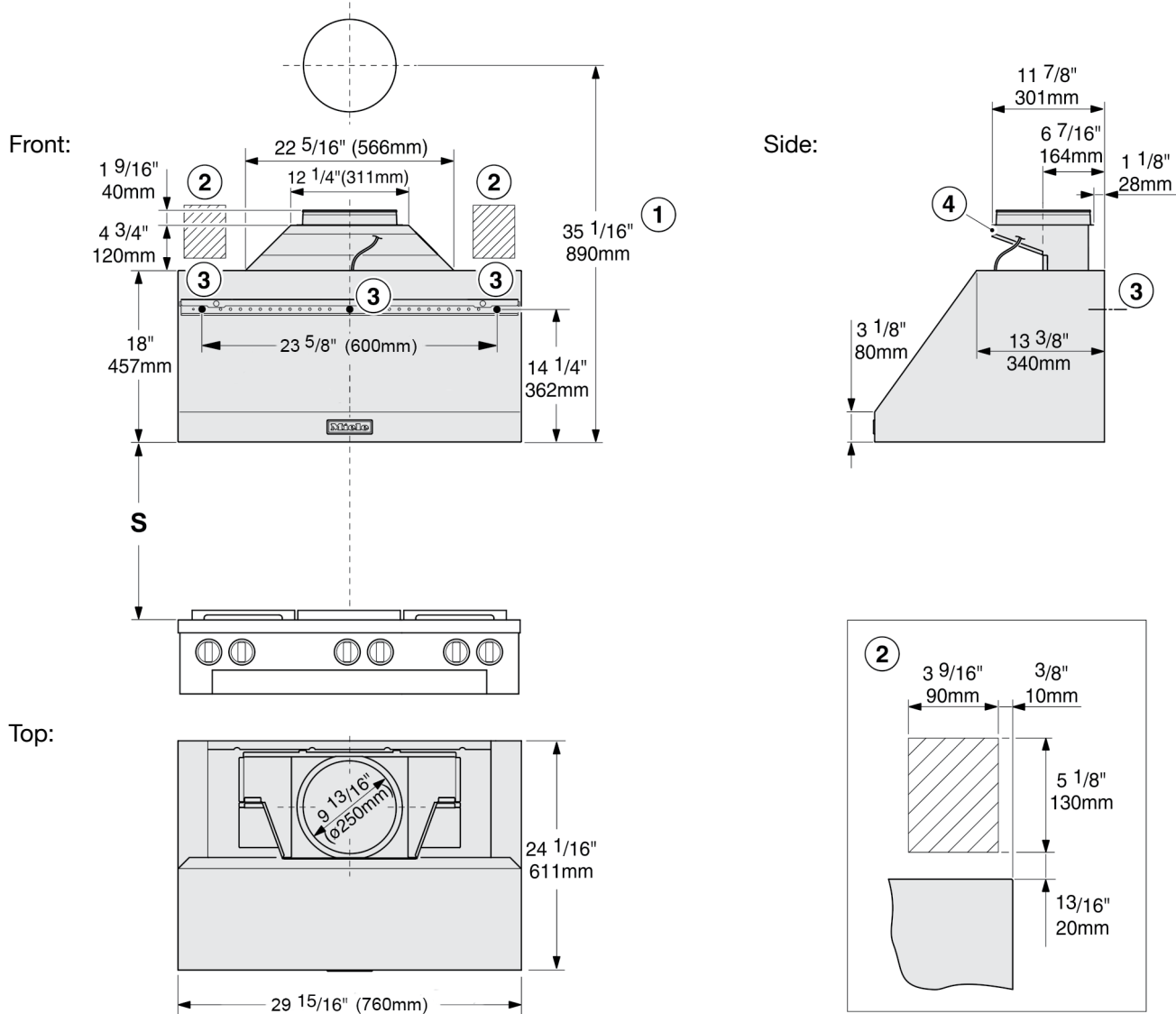
RBS30

40" tall by 30" wide flat stainless steel Backsplash panel

30" Range Wall Hood DAR 1220



PRODUCT VIEW



- ① Minimum height required for exhaust air penetration when using a vent duct.
- ② Recommended installation area for the electrical connection.
- ③ Attachment points: there must be a sub-construction capable of bearing the load in the area of the attachment point.
- ④ The vent collar is not used for recirculation mode.

30" Range Wall Hood DAR 1220



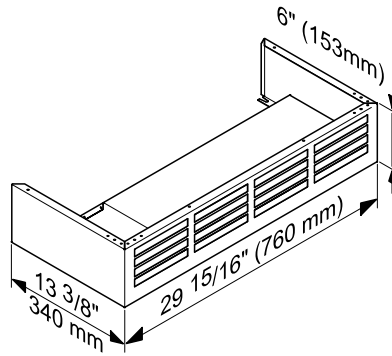
DISTANCE BETWEEN COOKTOP AND VENTILATION HOOD (S)

	Distance between cooktop and ventilation hood (S)			
Miele Range Wall / Insert Hood	DAR 1120, DAR 1220 (30")	DAR 1130, DAR 1230 (36")		DAR 1150, DAR 1250 (48")
Internal / External Miele blowers	DRIB/DREB XL (700 cfm)	DRIB/DREB XL (700 cfm)	DRIB/DREB XXL (1100 cfm)	DRIB/DREB XXL (1100 cfm)
Miele electric cooktops	24" (610 mm)			
Miele barbeque and fryer (electric)	26" (660 mm)			
Multi-burner Miele gas cooktop, ≤ 43,000 BTU/h (12.6 kW), none of the burners > 19,800 BTU/h (5.8 kW)	26" (660 mm)			
Multi-burner Miele gas cooktop, > 43,000 BTU/h (12.6 kW) and ≤ 92,200 BTU/h (27.0 kW), none of the burners > 19,800 BTU/h (5.8 kW)	30" (760 mm)			
Multi-burner Miele gas cooktop, > 92,200 BTU/h (27.0 kW) and ≤ 112,600 BTU (33.0 kW), none of the burners > 19,800 BTU/h (5.8 kW)	not possible	36" (910 mm)	30" (760 mm)	
Multi-burner Miele gas cooktop, > 112,200 BTU/h (33.0 kW) and ≤ 142,600 BTU (41.8 kW) none of the burners > 19,800 BTU/h (5.8 kW)	not possible		36" (910 mm)	
Multi-burner Miele gas cooktop, > 142,600 BTU/h (41.8 kW)	not possible			
Multi-burner Miele gas cooktop, one of the burners > 19,800 BTU/h (5.8 kW)	not possible			
Miele single-burner gas cooktop (wok) ≤ 20,500 BTU/h (6.0 kW)	26" (660 mm)			
Miele single-burner gas cooktop (wok) > 20,500 BTU/h, (6.0 kW), ≤ 27,600 BTU/h (8.1 kW)	30" (760 mm)			
Miele single-burner gas cooktop (wok) > 27,600 BTU/h (8.1 kW)	not possible			

30" Range Wall Hood DAR 1220



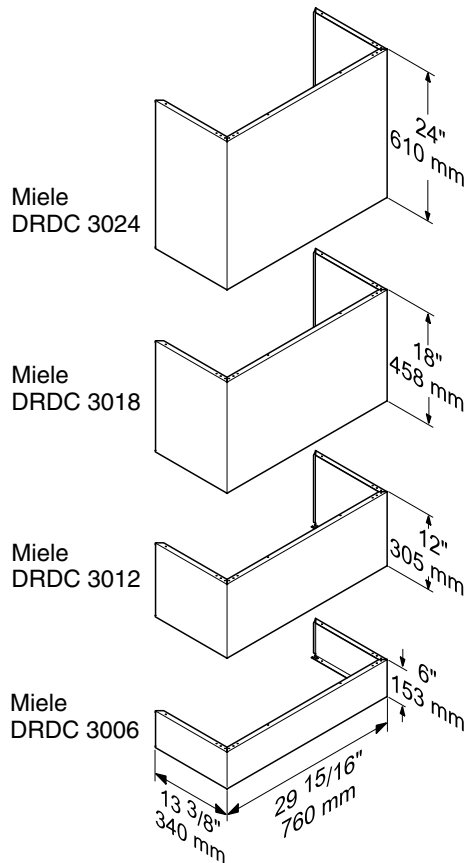
Recirculation Kit DRUU 30



Note: Duct Covers can be stacked on top of Recirculation Kit

Duct Cover Options

- DRDC 3024 - 24" height
- DRDC 3018 - 18" height
- DRDC 3012 - 12" height
- DRDC 3006 - 6" height



HOOD-BLOWER COMBINATION GUIDE

The following appliance combinations are possible:

	Extraction mode with internal blower	Vented mode with external blower	Recirculation mode	Ducting cover
Range Insert DAR 1120 (30")	Blower DRIB XL or <i>DRIB XXL*</i>	Blower DREB XL or <i>DREB XXL*</i>	-	-
Range Insert DAR 1130 (36")	Blower DRIB XL or DRIB XXL	blower DREB XL or DREB XXL	-	-
Range Insert DAR 1150 (36")	Blower DRIB XXL	Blower DREB XXL	-	-
Range Wall Hood DAR 1220 (30")	Blower DRIB XL or <i>DRIB XXL*</i>	Blower DREB XL or <i>DREB XXL*</i>	blower DRIB XL + recirculation kit DRUU 30**	DRDC 3006 (6") DRDC 3012 (12") DRDC 3018 (18") DRDC 3024 (24")
Range Wall Hood DAR 1230 (36")	Blower DRIB XL or DRIB XXL	blower DREB XL or DREB XXL	Blower DRIB XL + recirculation kit DRUU 36**	DRDC 3606 (6") DRDC 3612 (12") DRDC 3618 (18") DRDC 3624 (24")
Range Wall Hood DAR 1250 (48")	Blower DRIB XXL	Blower DREB XXL	-	DRDC 4806 (6") DRDC 4812 (12") DRDC 4818 (18") DRDC 4824 (24")
Range wall hood DAR 1260 (60")	Blower DRIB XXL	Blower DREB XXL	-	DRDC 6006 (6") DRDC 6012 (12") DRDC 6018 (18") DRDC 6024 (24")

*not recommended

**The DRDC duct cover can also be installed above the recirculation kit panel.

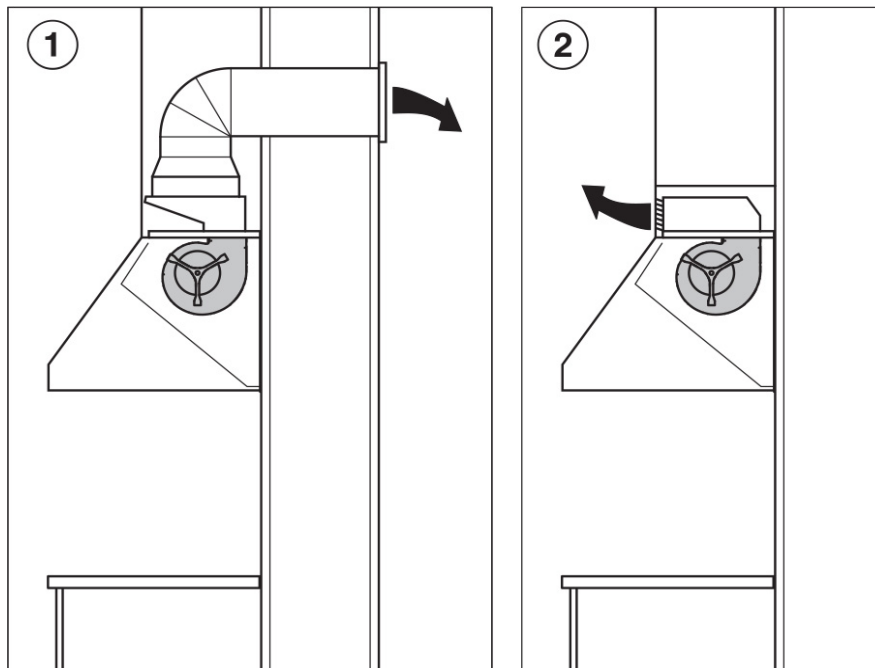
30" Range Wall Hood DAR 1220



DRIB XL
INTERNAL RANGE HOOD BLOWER
(Optional Accessory) 700 CFM



DRIB XXL
INTERNAL RANGE HOOD BLOWER
(Optional Accessory) 1100 CFM



- ① Air extraction with internal blower DRIB XL or XXL.
- ② Recirculation with internal blower DRIB XL and conversion kit DRUU.

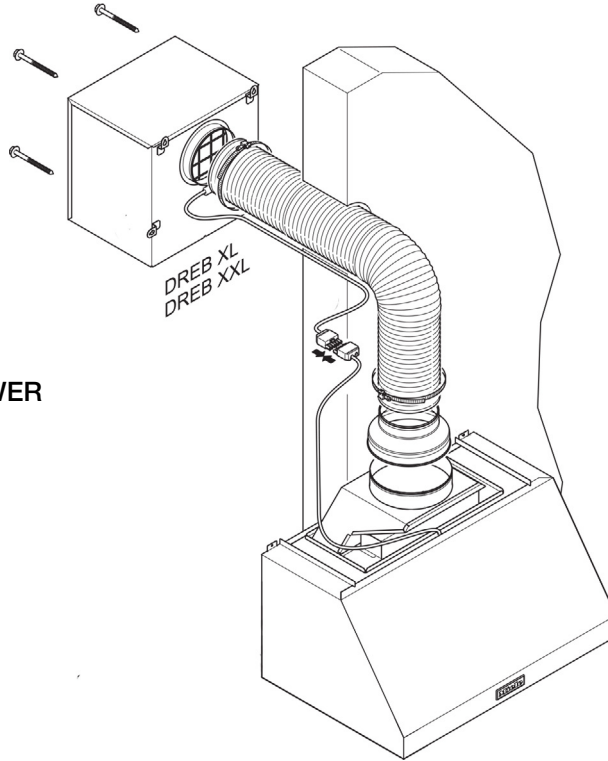
30" Range Wall Hood DAR 1220



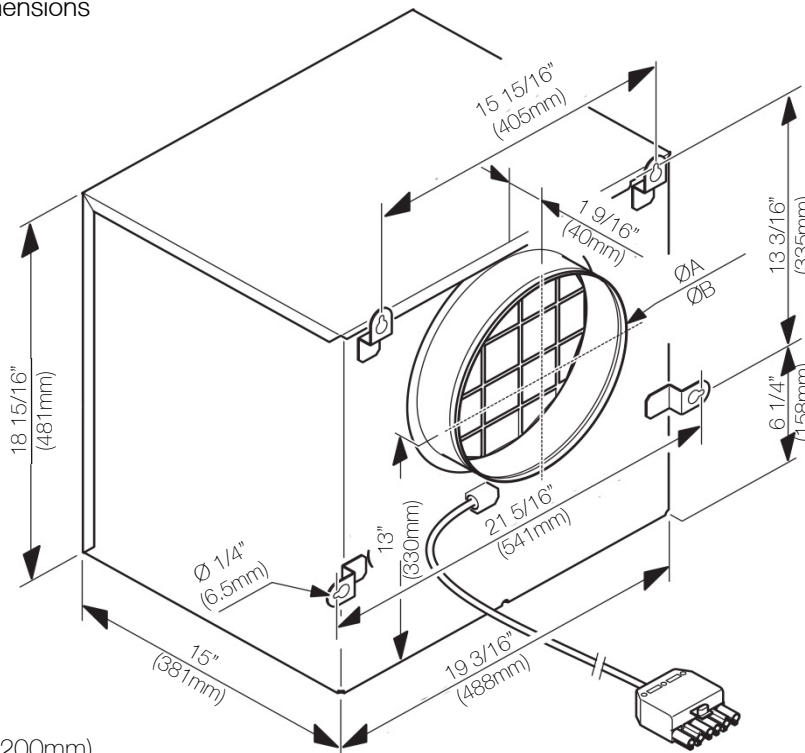
**DREB XL
EXTERNAL RANGE HOOD BLOWER**
(Optional Accessory) 700 CFM



**DREB XXL
EXTERNAL RANGE HOOD BLOWER**
(Optional Accessory) 1100 CFM



DREB XL and DREB XXL Dimensions



ØA: DREB XL - Ø 7 7/8" (200mm)
ØB: DREB XXL - Ø 9 13/16" (254mm)

30" Range Wall Hood DAR 1220



DRRV 1200 REAR VENTING ADAPTER (Optional Accessory)

