

36" All Gas Range

HR 1134 G, HR 1134 LP



36" All Gas Range

Model: HR 1134 G / HR 1134 LP



HR 1134 G / HR 1134 LP

Features:

- DirectSelect controls
- M Pro dual stacked burner system with TrueSimmer
- ComfortClean dishwasher-safe grates
- 5 Operating modes including Self Clean
- Twin Convection fans
- Soft Open and Soft Close
- Clean Touch Steel™ front

SPECIFICATIONS

HR 1134 G	Item 25113451USA
HR 1134 LP	Item 25113452USA
Overall Unit Width	35 ¹⁵ / ₁₆ " (913 mm)
Overall Unit Height to Cooktop	35 ¹ / ₂ " – 37" (901.7 – 939.8 mm)
Overall Unit Depth to Front of Control Panel	26 ¹ / ₂ " (673 mm)
Oven Door Clearance	22 ³ / ₄ " (577 mm)
Niche	
Minimum Cabinet Niche Width	36" (914 mm)
Minimum Cabinet Opening Height	35 ¹ / ₂ " (901.7 mm)
Burners (G/LP)	
Gas Burners:	M Pro Power Plus - Standard Configuration*
Total BTU Output	(1) 12,500 BTU (G/LP); (5) 19,500 BTU (G/LP)
Oven Burners (G/LP)	
Oven Top Burner:	22,000 BTU (G); 20,150 BTU (LP)
Oven Bottom Burner:	25,500 BTU (G); 27,000 BTU (LP)
Gas	
Gas Line Connection	1/2" NPT
Operational Altitudes	
	Miele Natural Gas and LP Ranges and Rangetops will function up to 9,800 ft. in altitude without adjustment; the following exception will function up to 6,500 ft. in altitude without adjustment:
High Altitude	<ul style="list-style-type: none"> • Griddle in LP: HR 1136 LP, HR 1936 LP, HR 1956 LP, KMR 1136 LP, KMR 1356 LP • Grill in G: HR 1135 G, HR 1935 G, HR 1955 G, KMR 1135 G, KMR 1355 G <p>If an installation exceeds these elevations, please contact rangejetkit@mieleusa.com.</p>
Electrical	
Electrical Requirements	120V, 60Hz, 15 Amps
Power Cord	NEMA 5-15 plug, 5' 11" (1.8 m) long
Shipping	
Shipping Weight	438.7 lbs (199 kg)
Shipping Dimensions	43 ⁹ / ₁₆ " (1100 mm) W x 52" (1,294 mm) H x 31 ¹ / ₂ " (800 mm) D
Support	
Call Miele	800.843.7231
Miele Website	www.mieleusa.com
20/20 Link	2020technologies.com

* Please note if a BTU-reducing kit is necessary, an authorized installer is required to modify the product to meet ANSI Z21.

36" All Gas Range

Model: HR 1134 G / HR 1134 LP



Optional Accessories:



12" Backguard
RBGAG1236

12" tall high-quality brushed stainless steel Backguard



20" Backguard
RBGAG2036

20" tall high-quality brushed stainless steel Backguard



40" Backsplash
RBS36

40" tall flat stainless steel Backsplash panel

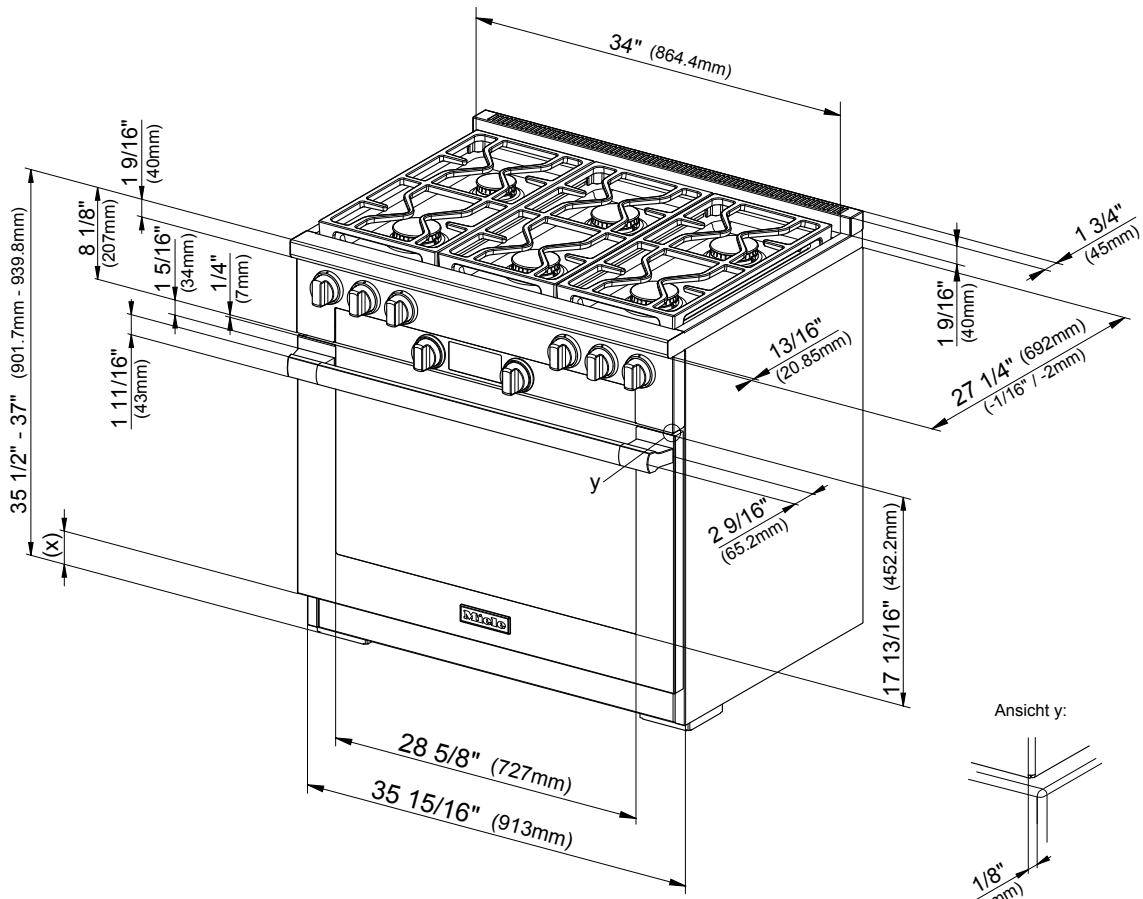
36" All Gas Range

Model: HR 1134 G / HR 1134 LP

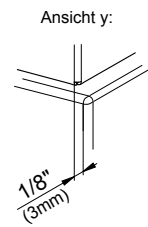


PRODUCT VIEWS

Isometric



(x) = Toe-kick height adjustment 5" - 6 1/2" (127 mm - 165.1 mm)



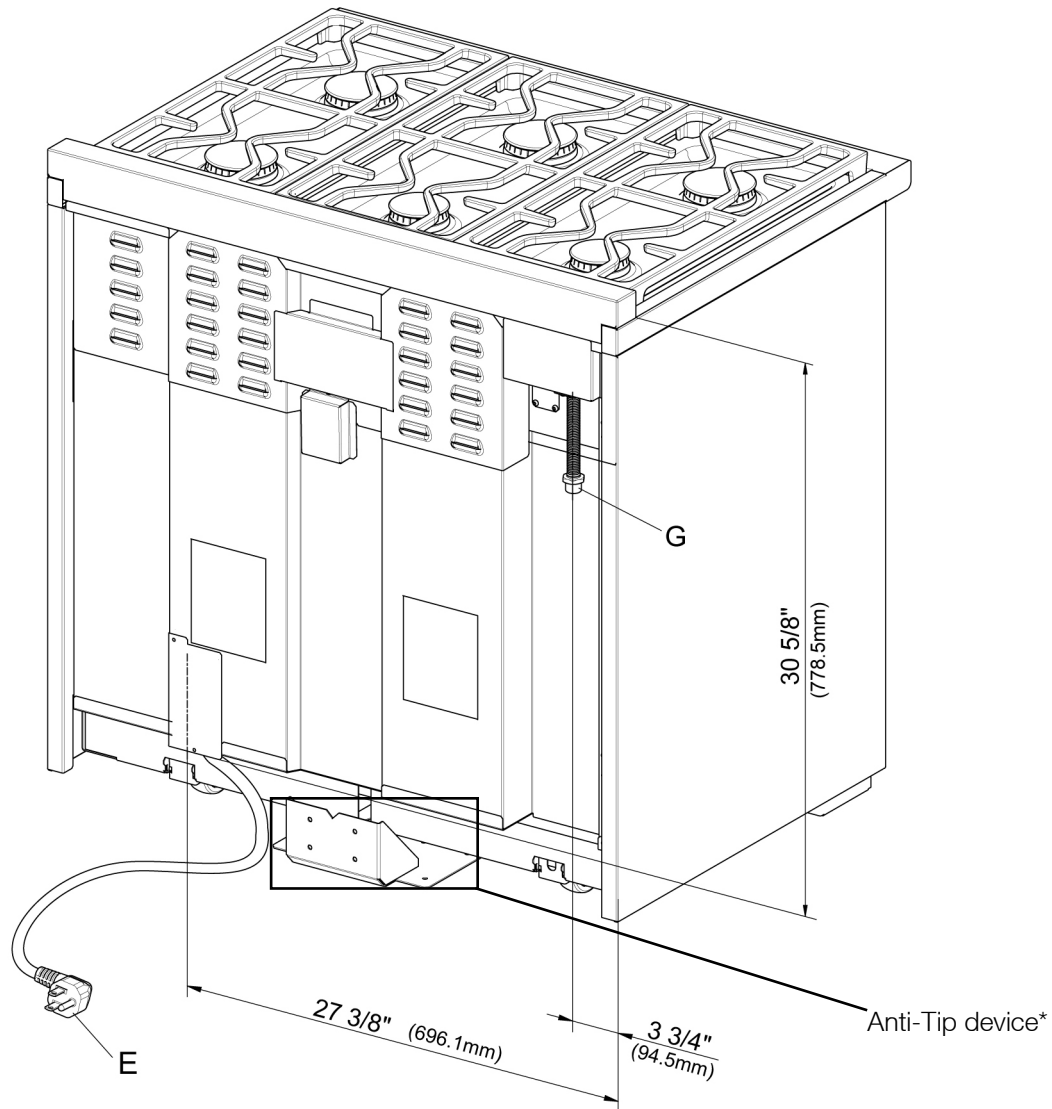
36" All Gas Range

Model: HR 1134 G / HR 1134 LP



PRODUCT VIEWS

Rear View



E = Electrical connection

G = Gas connection

*Anti-tip device must be fastened securely in place to all studs or floor. Please refer to the Anti-tip device section in the installation manual for further details.

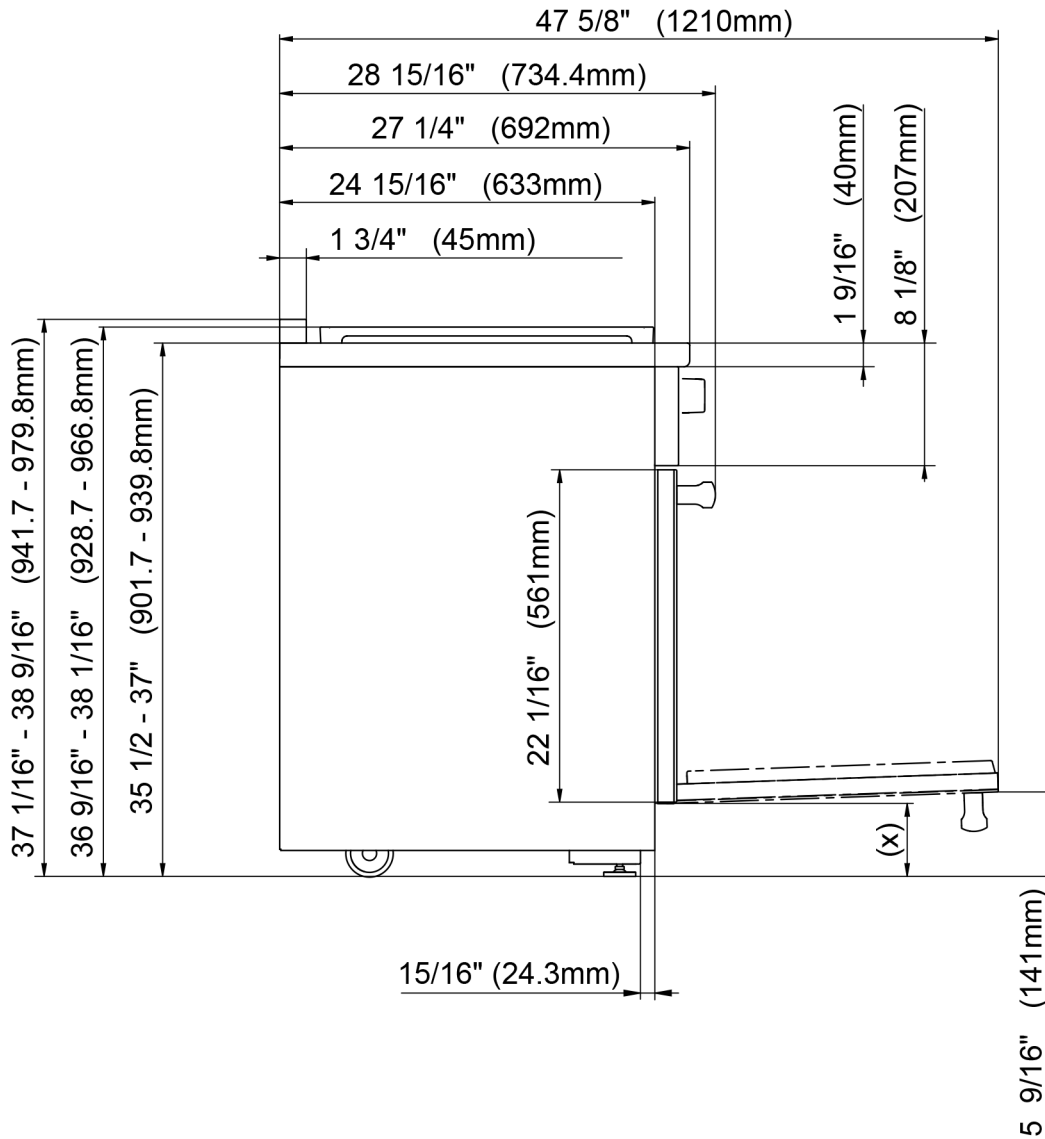
36" All Gas Range

Model: HR 1134 G / HR 1134 LP



PRODUCT VIEWS

Detailed Side View



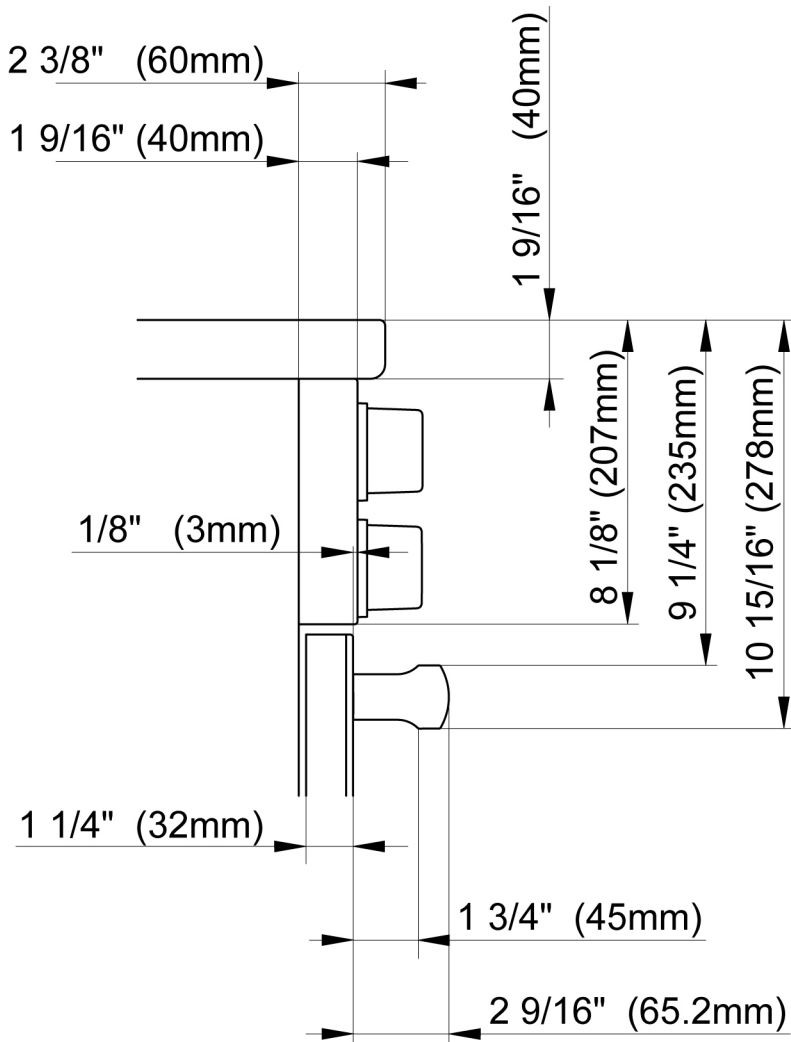
(x) = Toe-kick height adjustment 5" - 6 1/2" (127 mm - 165.1 mm)

36" All Gas Range
Model: HR 1134 G / HR 1134 LP



PRODUCT VIEWS

Detailed Bullnose and Handle View



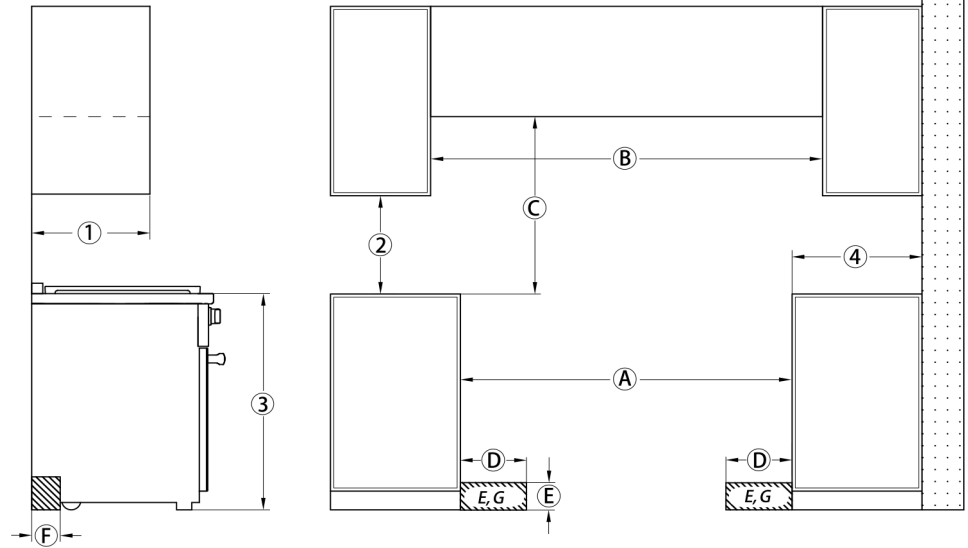
36" All Gas Range

Model: HR 1134 G / HR 1134 LP



M Pro Power Plus Configuration

Standard Configuration with Pro Hood*



Ⓑ In case of combustible materials, a minimum distance of 6" must be observed on each side in addition to dimension Ⓐ.

Ⓓ, Ⓔ, Ⓕ The shaded area represents the installation area for the connections:
E = Electrical connection, G = Gas connection

M Pro Power Plus SPECIFICATIONS

Burners (G/LP)

Gas Burners: (1) 12,500 BTU (G/LP);
(5) 19,500 BTU (G/LP)

Total BTU Output 110,000 BTU (G/LP)

Position	Dimensions	Description	
Ⓛ	13" (330 mm)	Maximum depth of top cabinet	
Ⓜ	18" (457 mm)	Minimum distance to bottom edge of top cabinet	
Ⓝ	35 1/2"–37" (901–940 mm)	Distance from the floor to cooktop surface	
Ⓞ	10" (254 mm)	Minimum distance to combustibles.	
Ⓐ	Min. 36" (914 mm)	Width of cabinet opening	
Ⓑ	6" + Ⓐ + 6" (150 mm + Ⓐ + 150 mm)	If combustible materials are present, an additional minimum distance of 6" (150 mm) (each side) is required. Ensure that the local codes are observed.	
Ⓒ	37" (940 mm)	Minimum distance between the top of the cooking area and the bottom of an unprotected combustibles surface.	
	36" (914 mm)	Minimum distance between the top of the cooking area and the bottom of the Miele Range Hood (DAR model with DRxB XL blower).	
	30" (762 mm)	Minimum distance between the top of the cooking area and the bottom of the Miele Range Hood (DAR model with DRxB XXL blower).	
For all other Hoods please consult the manufacturer's specifications for required distances.			
Ⓓ	Approx. 13 3/4" (350 mm)	Maximum connection width right and left	Position of the wall socket
Ⓔ	Approx. 4 1/2" (115 mm)	Maximum connection height	
Ⓕ	Approx. 2 13/16" (72 mm)	Maximum connection depth	

* Please note if a BTU-reducing kit is necessary, an authorized installer is required to modify the product to meet ANSI Z21.

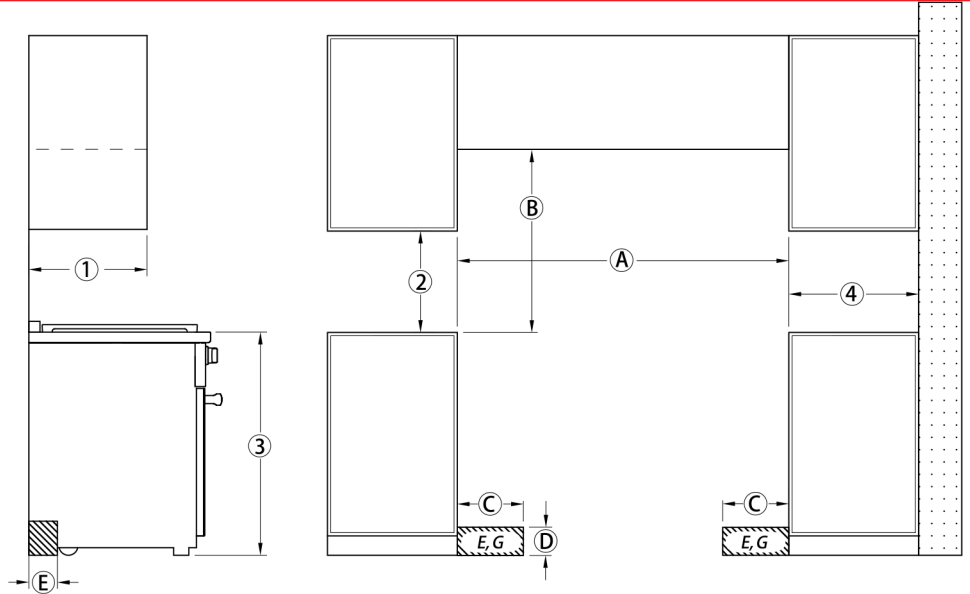
36" All Gas Range

Model: HR 1134 G / HR 1134 LP



M Pro Power Configuration

Seamless Configuration with Pro Hood (Zero Gap)



Ⓒ, Ⓓ, Ⓔ The shaded area represents the installation area for the connections:
E = Electrical connection, G = Gas connection

M Pro Power SPECIFICATIONS	
Burners (G/LP)	
Gas Burners:	(1) 10,000 BTU (G/LP); (5) 14,700 BTU (G/LP)
Total BTU Output	83,500 BTU (G/LP)

Jets are a standard accessory and are changed during installation

Position	Dimensions	Description	
①	13" (330 mm)	Maximum depth of top cabinet	
②	18" (457 mm)	Minimum distance to bottom edge of top cabinet	
③	35 1/2"–37" (901–940 mm)	Distance from the floor to cooktop surface	
④	10" (254 mm)	Minimum distance to combustible surfaces.	
Ⓐ	Min. 36" (914 mm)	Width of cabinet opening Please contact Miele Service for more information.	
Ⓑ	37" (940 mm)	Minimum distance between the top of the cooking area and the bottom of an unprotected combustible surface.	
	36" (914 mm)	Minimum distance between the top of the cooking area and the bottom of the Miele Range Hood (DAR model with DRxB XL blower).	
	30" (762 mm)	Minimum distance between the top of the cooking area and the bottom of the Miele Range Hood (DAR model with DRxB XXL blower).	
For all other Hoods please consult the manufacturer's specifications for required distances.			
Ⓒ	Approx. 13 3/4" (350 mm)	Maximum connection width right and left	Position of the wall socket
Ⓓ	Approx. 4 1/2" (115 mm)	Maximum connection height	
Ⓔ	Approx. 2 13/16" (72 mm)	Maximum connection depth	

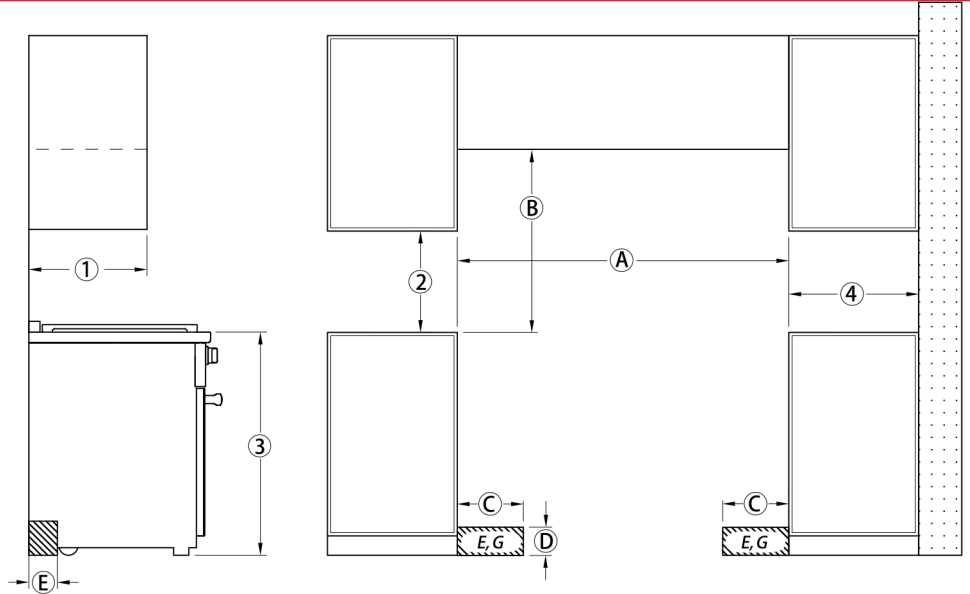
36" All Gas Range

Model: HR 1134 G / HR 1134 LP



M Pro Configuration

Seamless Configuration with Non-Pro (Décor)



Ⓒ, Ⓓ, Ⓔ The shaded area represents the installation area for the connections:
E = Electrical connection, G = Gas connection

M Pro SPECIFICATIONS

Burners (G/LP)

Gas Burners: (1) 10,000 BTU (G/LP);
(5) 12,200 BTU (G/LP)

Total BTU Output 71,000 BTU (G/LP)

Jets are a standard accessory and are changed during installation

Position	Dimensions	Description	
①	13" (330 mm)	Maximum depth of top cabinet	
②	18" (457 mm)	Minimum distance to bottom edge of top cabinet	
③	35 1/2"–37" (901–940 mm)	Distance from the floor to cooktop surface	
④	10" (254 mm)	Minimum distance to combustibles.	
Ⓐ	Min. 36" (914 mm)	Width of cabinet opening Please contact Miele Service for more information.	
Ⓑ	Please refer to Miele ventilation hood installation manual, Appliance Dimensions section (Distance between cooktop and hood (S)) For all other Hoods please consult the manufacturer's specifications for required distances.		
Ⓒ	Approx. 13 3/4" (350 mm)	Maximum connection width right and left	Position of the wall socket
Ⓓ	Approx. 4 1/2" (115 mm)	Maximum connection height	
Ⓔ	Approx. 2 13/16" (72 mm)	Maximum connection depth	